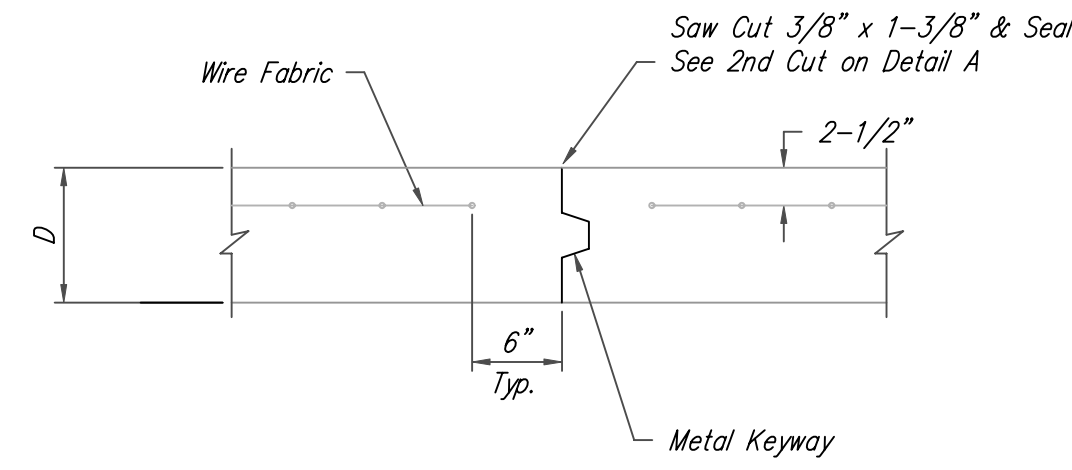
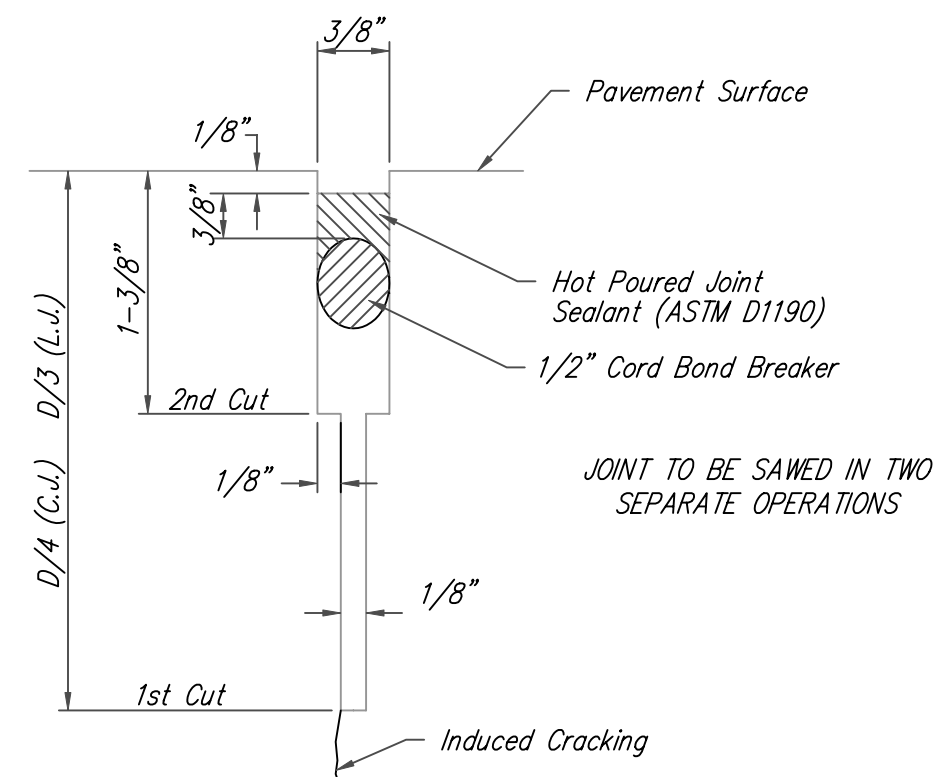


EXPANSION JOINT

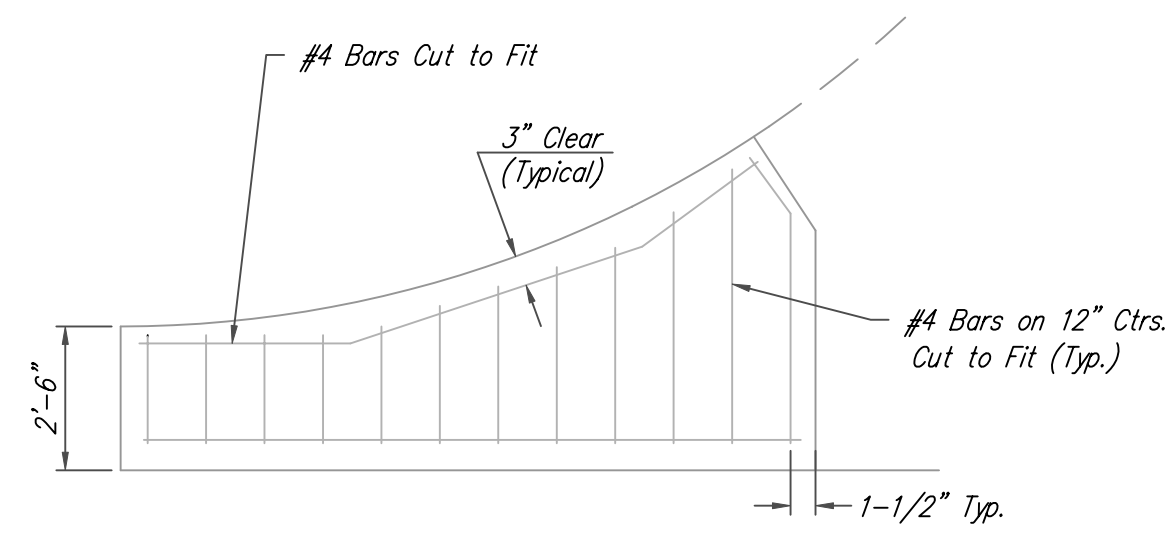
NOTE: Extra Thickness to be Subsidiary to Price of Square Yards Pavement



OPTIONAL CONTRACTION JOINT

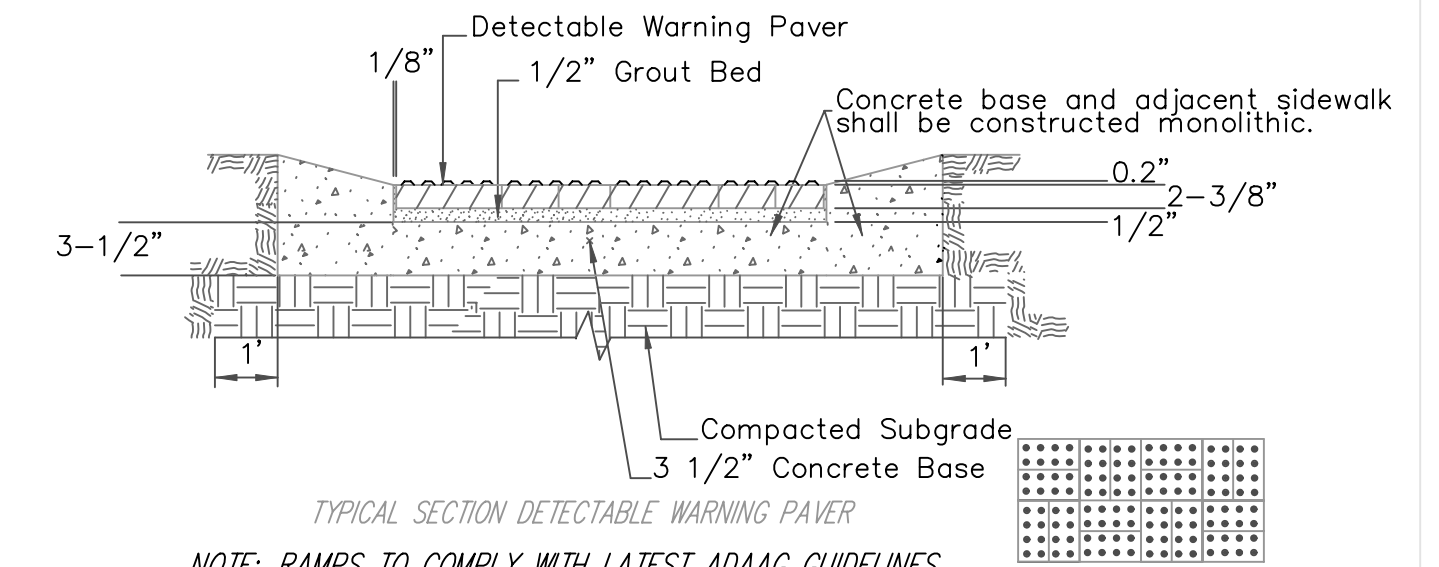


SAW JOINT DETAIL



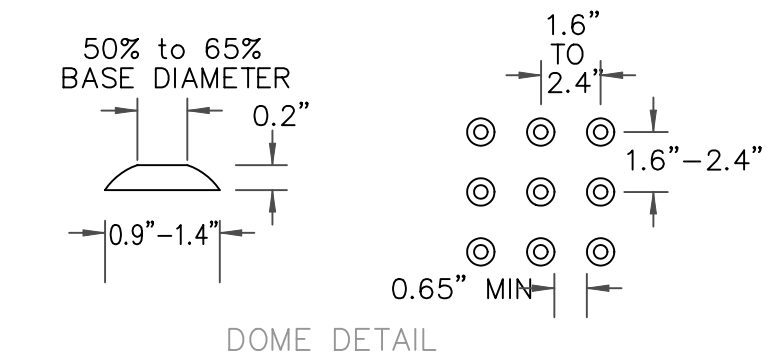
WING REINFORCING DETAIL

(TYPE A)
STANDARD WHEELCHAIR RAMP
WITH DETECTABLE WARNING
CONSTRUCTION DETAIL FOR STREETS
WITH COMBINED CURB & GUTTER

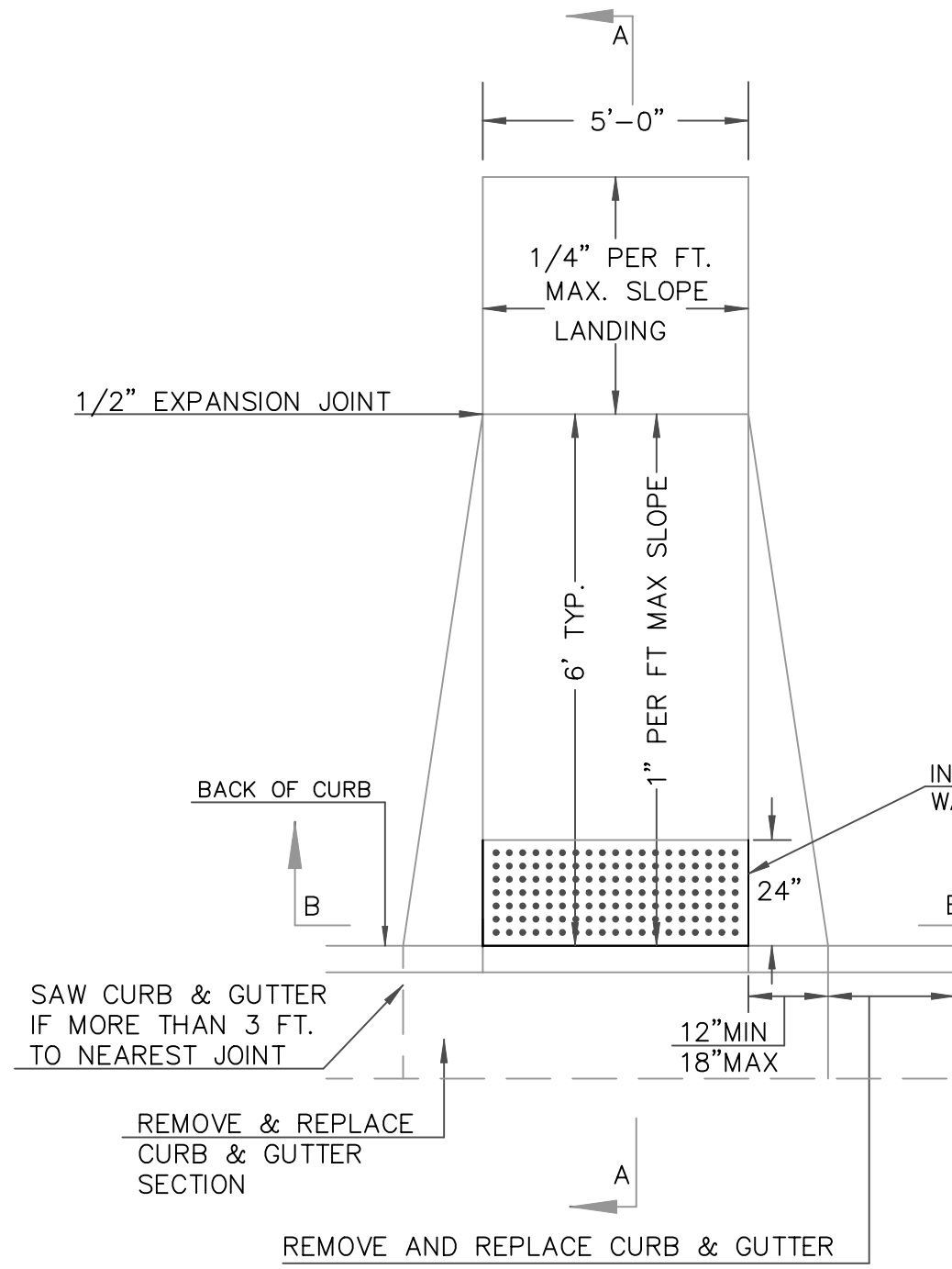


NOTE: RAMPS TO COMPLY WITH LATEST ADAAG GUIDELINES. PAVESTONE DETECTABLE WARNING PAVERS (OR AN APPROVED EQUAL) SHALL BE USED IN ALL WHEELCHAIR RAMPS. THE RED PAVER SHALL BE INSTALLED USING A BASKET WEAVE/PARQUET PATTERN. OTHER PATTERNS MAY BE USED WITH APPROVAL OF ENGINEER. SAND FILL JOINTS. ALIGN DOMES IN THE DIRECTION OF PEDESTRIAN TRAVEL.

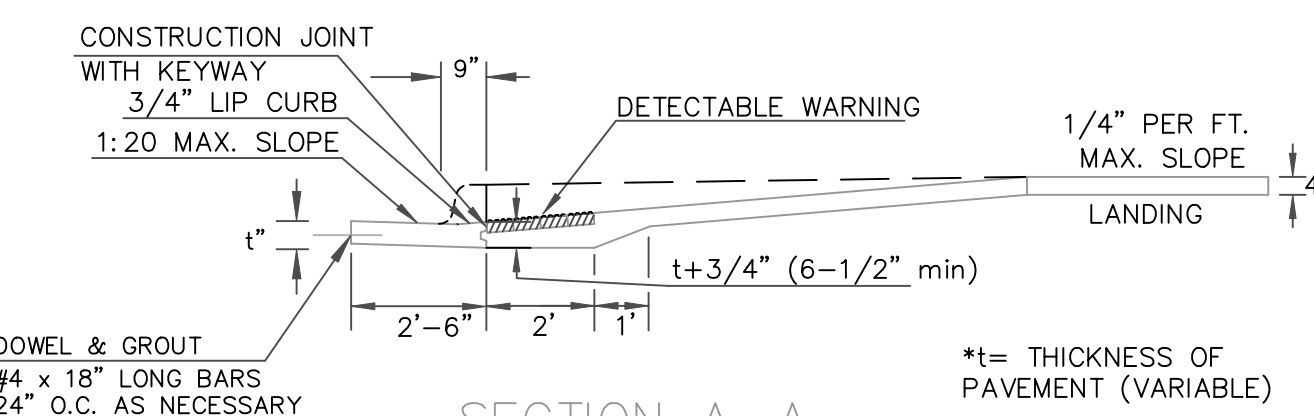
SECTION B-B



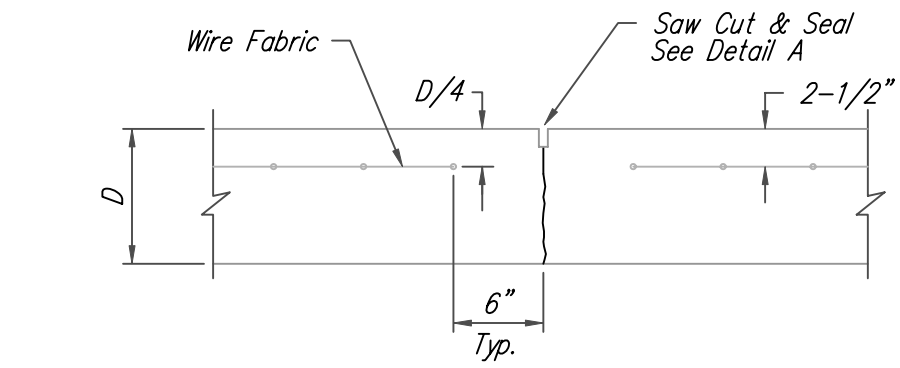
DOME DETAIL



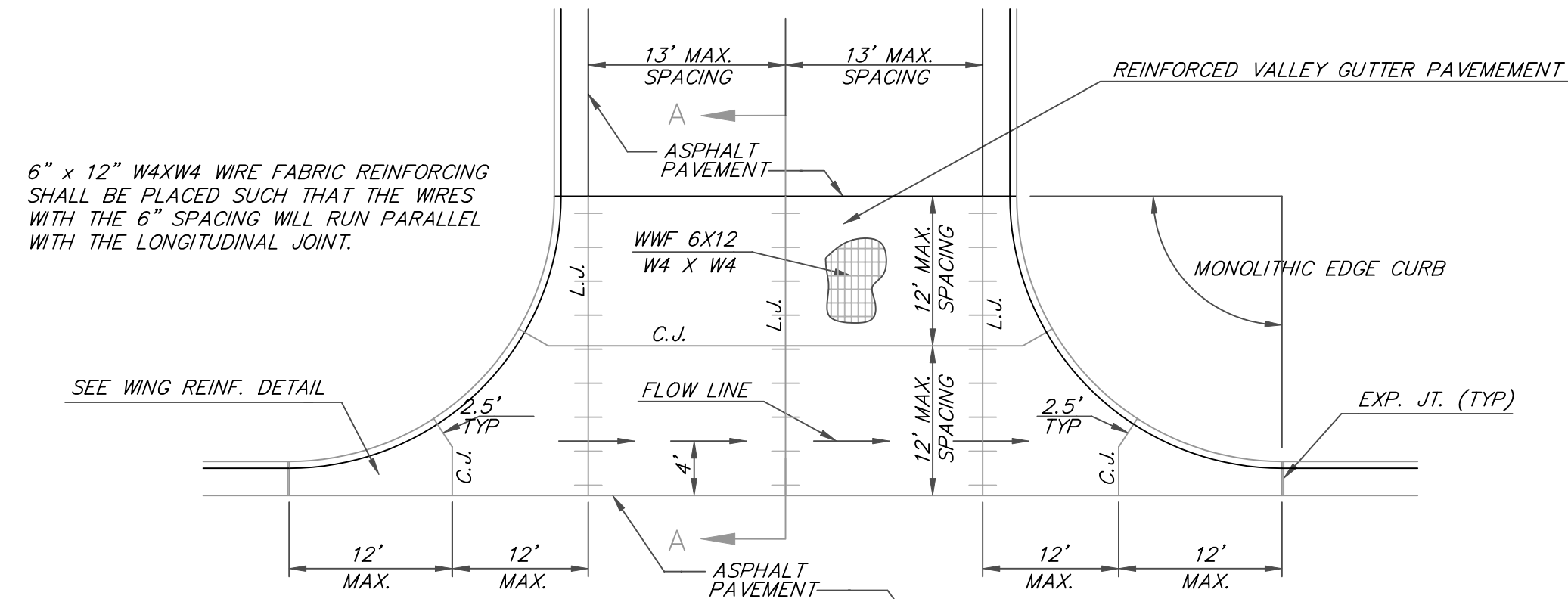
REMOVE & REPLACE CURB & GUTTER SECTION
REMOVE AND REPLACE CURB & GUTTER TO NEAREST JOINT IF LESS THAN 3 FT.



SECTION A-A

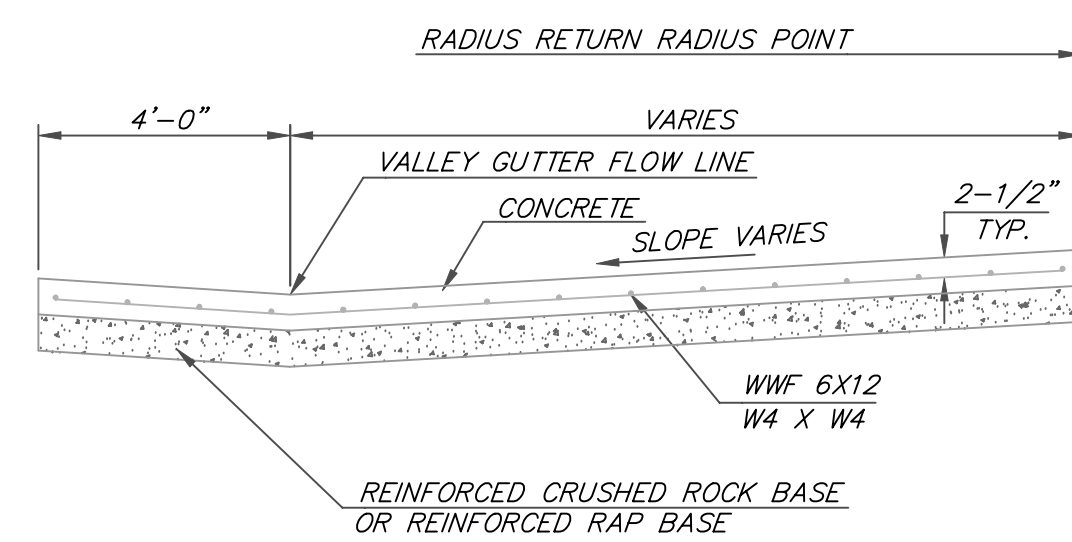


CONTRACTION JOINT DETAIL (C.J.)



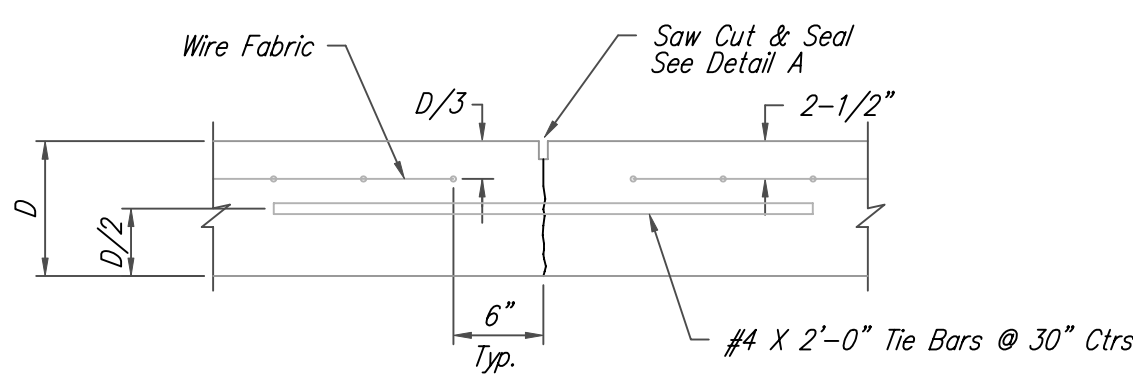
6" x 12" W4X4 WIRE FABRIC REINFORCING SHALL BE PLACED SUCH THAT THE WIRES WITH THE 6" SPACING WILL RUN PARALLEL WITH THE LONGITUDINAL JOINT.

PLAN

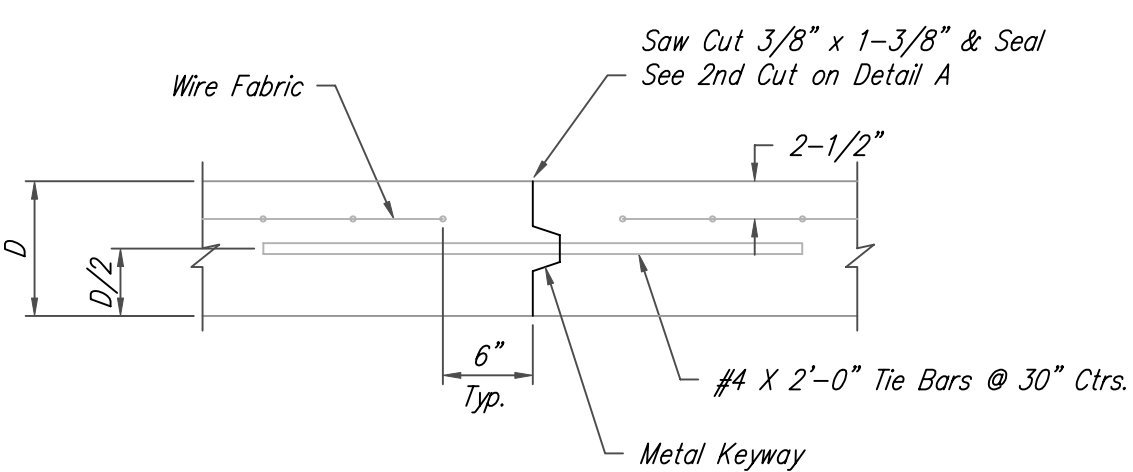


SECTION A-A

REINFORCED VALLEY GUTTER DETAIL



LONGITUDINAL JOINT DETAIL (L.J.)

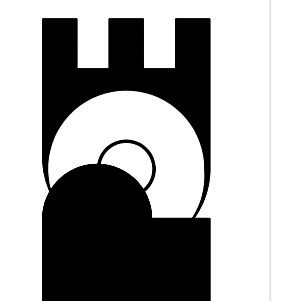


OPTIONAL LONGITUDINAL JOINT DETAIL (L.J.)

No.	Date	By	Approved	Revision

KINGSTON COVE 2nd ADDITION
STREET IMPROVEMENTS
VALLEY GUTTER/WHEELCHAIR RAMP DETAILS
CITY OF WICHITA, KANSAS
JAMES ARMOUR, P.E. - CITY ENGINEER

POE & ASSOCIATES, INC.
CONSULTING ENGINEERS
5940 E. Central, Suite 200 ■ Wichita, KS 67208-4042
Phone 316/685-4114 ■ FAX 316/685-4444



FINAL
Designed By: K. Hill / J. Dickman
Drawn By: K. Hill / J. Dickman
Poe Job No.: 1780
Date: March 2004