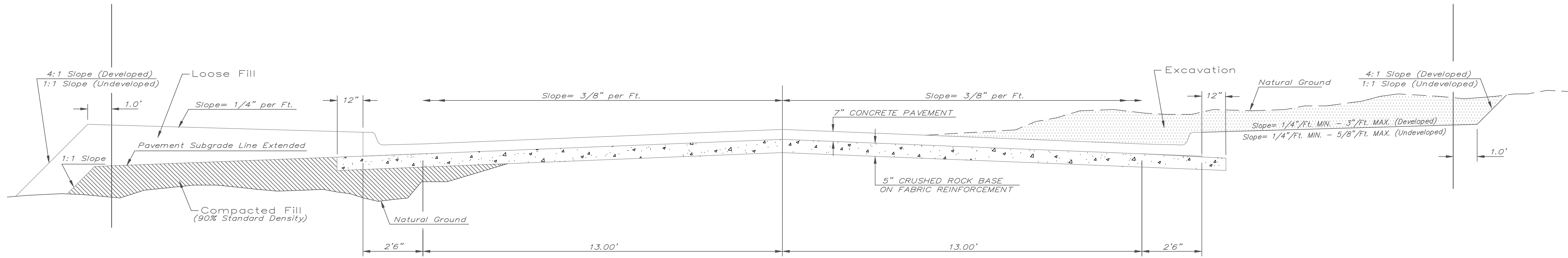


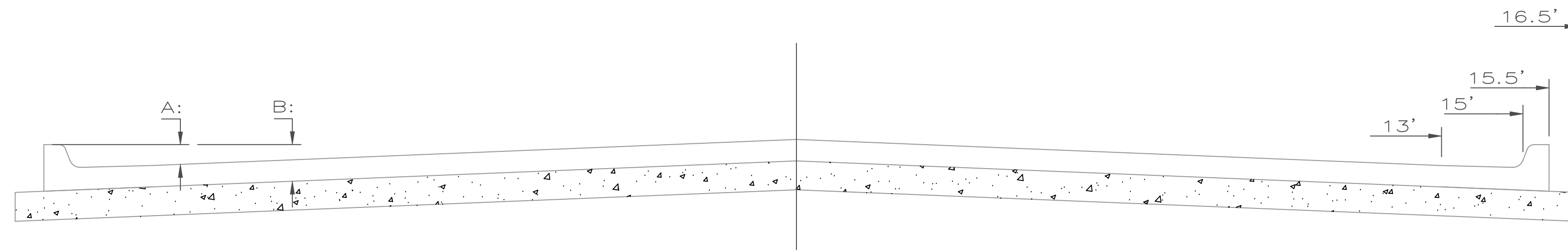
TYPICAL 31' B-B PAVEMENT DETAILS



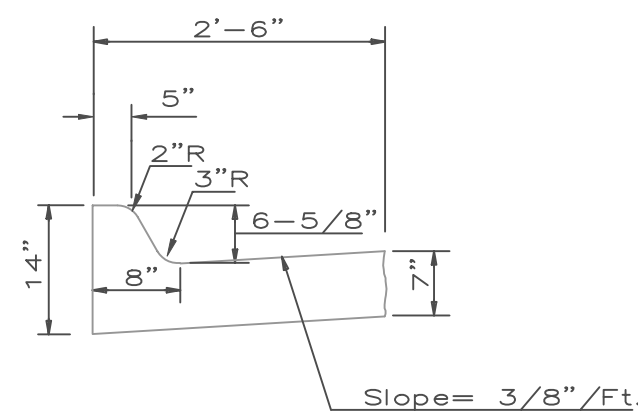
CRUSHED ROCK GRADATION REQUIREMENTS
Percent of Aggregate Retained

1 1/2"	0
3/4"	15-60
#4	40-80
#40	74-92
#200	88-96

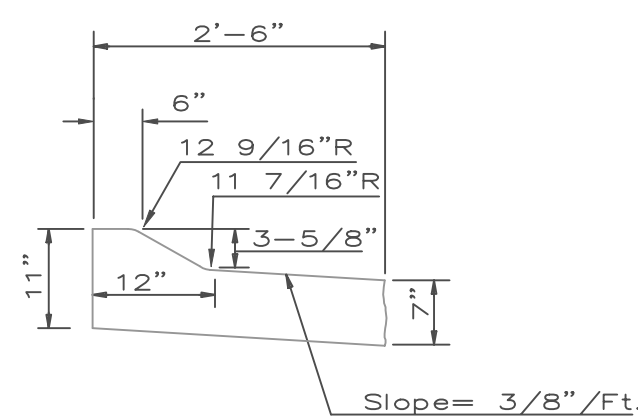
Rock Quality Shall Be The Same As Specified For Coarse Aggregate For Asphalt Concrete Mixes.



	DISTANCE FROM CENTERLINE (L.T. & RT.)										
	0'	2'	4'	6'	7.5'	10'	12'	13'	15'	15.5'	16.5'
A: Top of Curbs to Top of Surface Lift	0.10	0.14	0.21	0.27	0.32	0.39	0.46	0.49	-	-	-
B: Top of Curbs to Top of C.R. Subgrade	0.52	0.56	0.62	0.69	0.73	0.81	0.87	0.90	0.97	0.98	1.01



MONOLITHIC CURB & GUTTER (6 5/8")



MONOLITHIC CURB & GUTTER (3 5/8")

General Notes

FABRIC BASE REINFORCEMENT SHALL BE B X 1100 GEOGRID AS MANUFACTURED BY TENSAR CORPORATION OR APPROVED EQUAL. FABRIC BASE REINFORCEMENT SHALL BE INSTALLED IN ACCORDANCE WITH MANUFACTURER'S RECOMMENDATIONS. CRUSHED ROCK SHALL BE UNIFORMLY GRADED FROM 1-1/2" MAXIMUM SIZE TO NOT MORE THAN 10% PASSING A NO. 200 SIEVE. ROCK QUALITY SHALL BE THE SAME AS SPECIFIED FOR COARSE AGGREGATE FOR CONCRETE MIXES.

ROCK BASE IS TO BE COMPACTED AND SMOOTHED WITH A STEEL FACED ROLLER PRIOR TO PLACEMENT OF CONCRETE PAVEMENT.

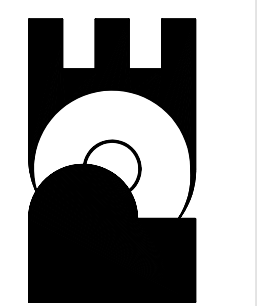
SEE PAVEMENT DETAILS FOR CONCRETE JOINTING AND REINFORCEMENT DETAILS.

PAVEMENT SHALL BE PLACED WITH A LAYDOWN MACHINE HAVING AUTOMATIC CONTROLS FOR LINE AND GRADE.

No.	Date	By	Approved	Revision

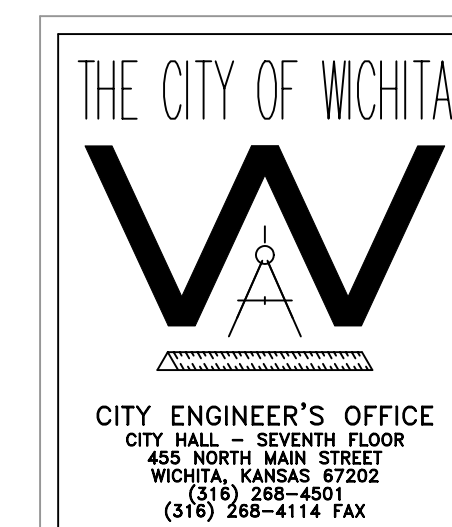
KINGSTON COVE 2nd ADDITION
STREET IMPROVEMENTS
TYPICAL 31' PAVEMENT DETAILS
CITY OF WICHITA, KANSAS
JAMES ARMOUR, P.E. - CITY ENGINEER

POE & ASSOCIATES, INC.
CONSULTING ENGINEERS
5940 E. Central, Suite 200 ■ Wichita, KS 67208-4242
Phone 316/685-4114 ■ FAX 316/685-4444



Designed By: K. Hill / J. Dickman
Drawn By: K. Hill / J. Dickman
Poe Job No.: 1780
Date: March 2004

Sheet 2 of 18



TYPICAL 31' BK-BK PAVEMENT DETAIL
7 INCH Residential Concrete
Pavement with Crushed Rock Base
on Fabric Reinforcement

J. ARMOUR, P.E. - CITY ENGINEER

PROJECT NUMBER 472-83860 INDEX CODE 765831

DATE MAR 96 SHEET 2 OF 18