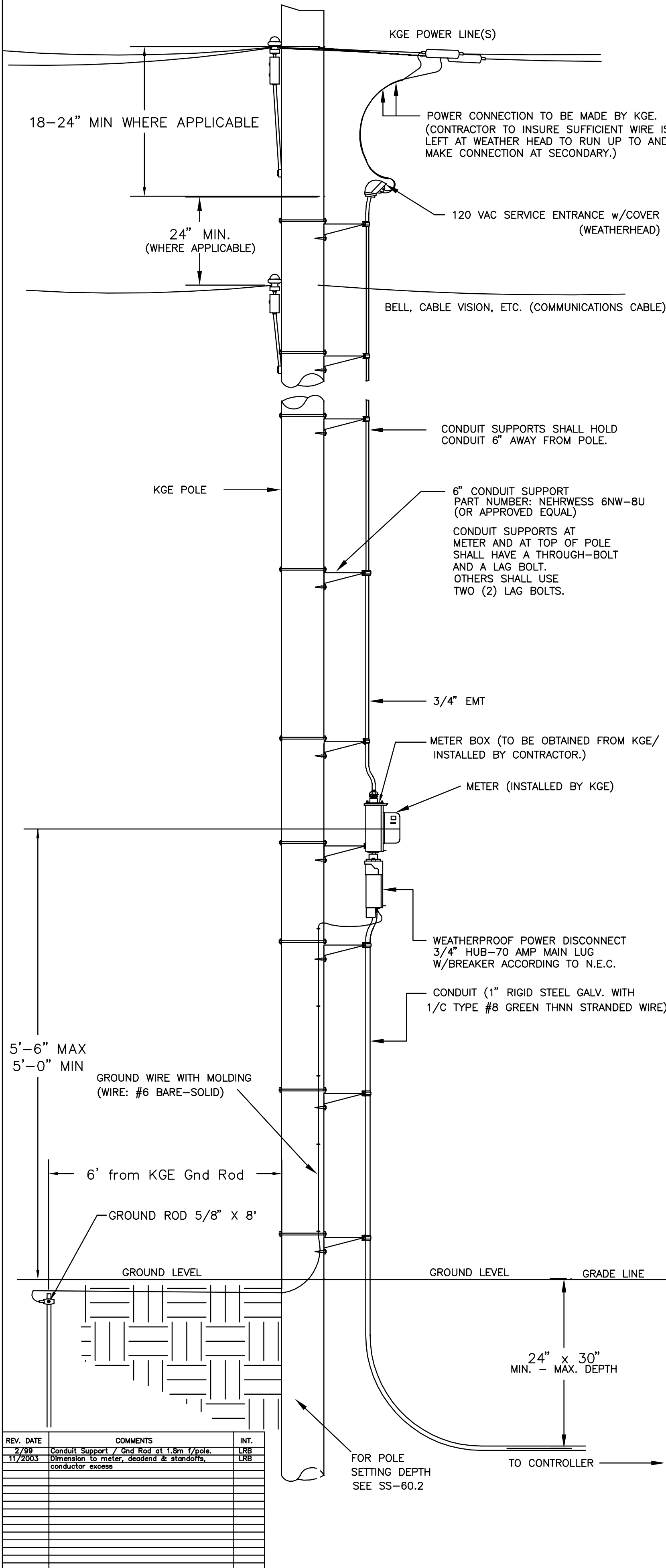
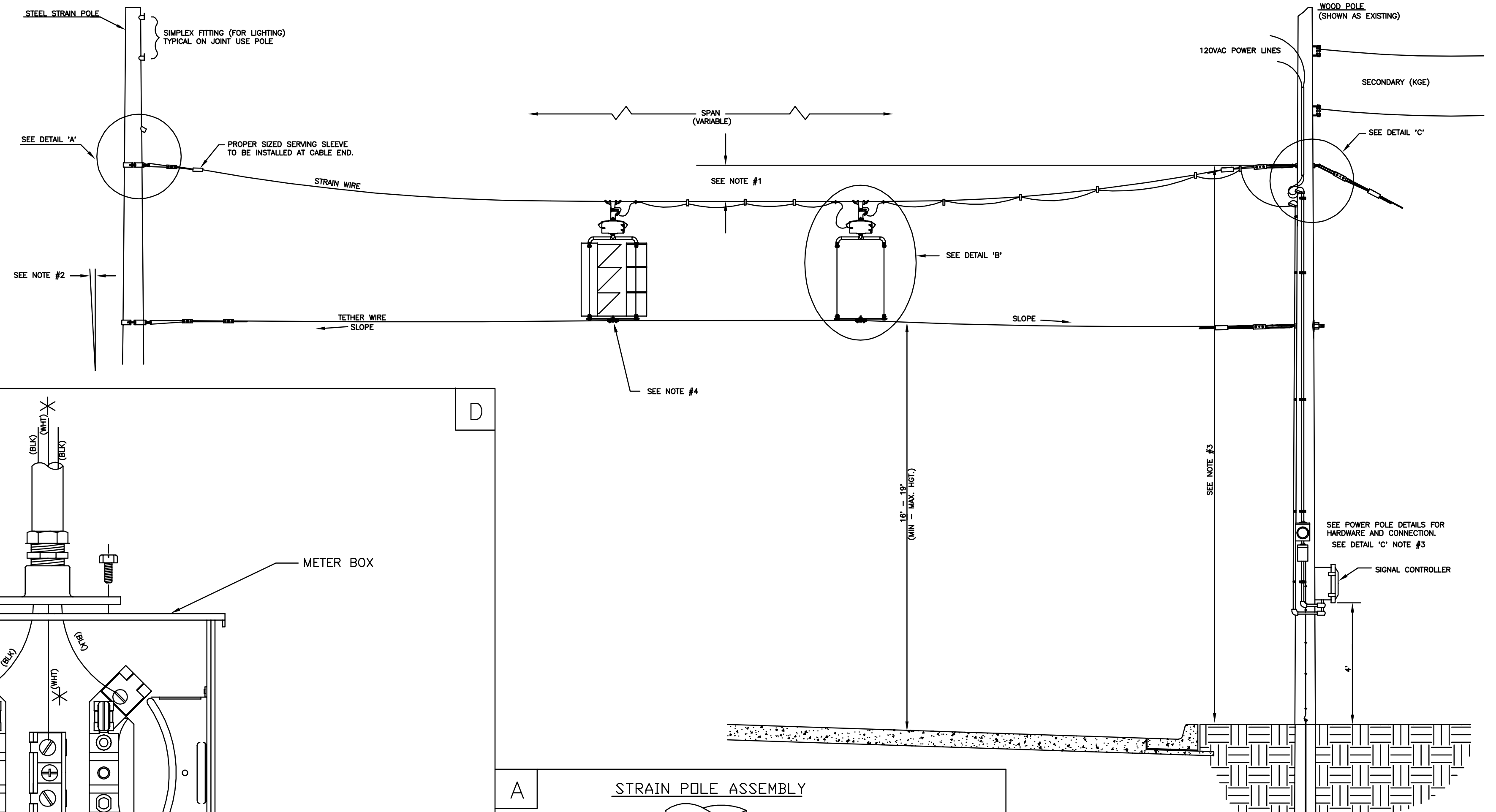


POWER POLE DETAILS



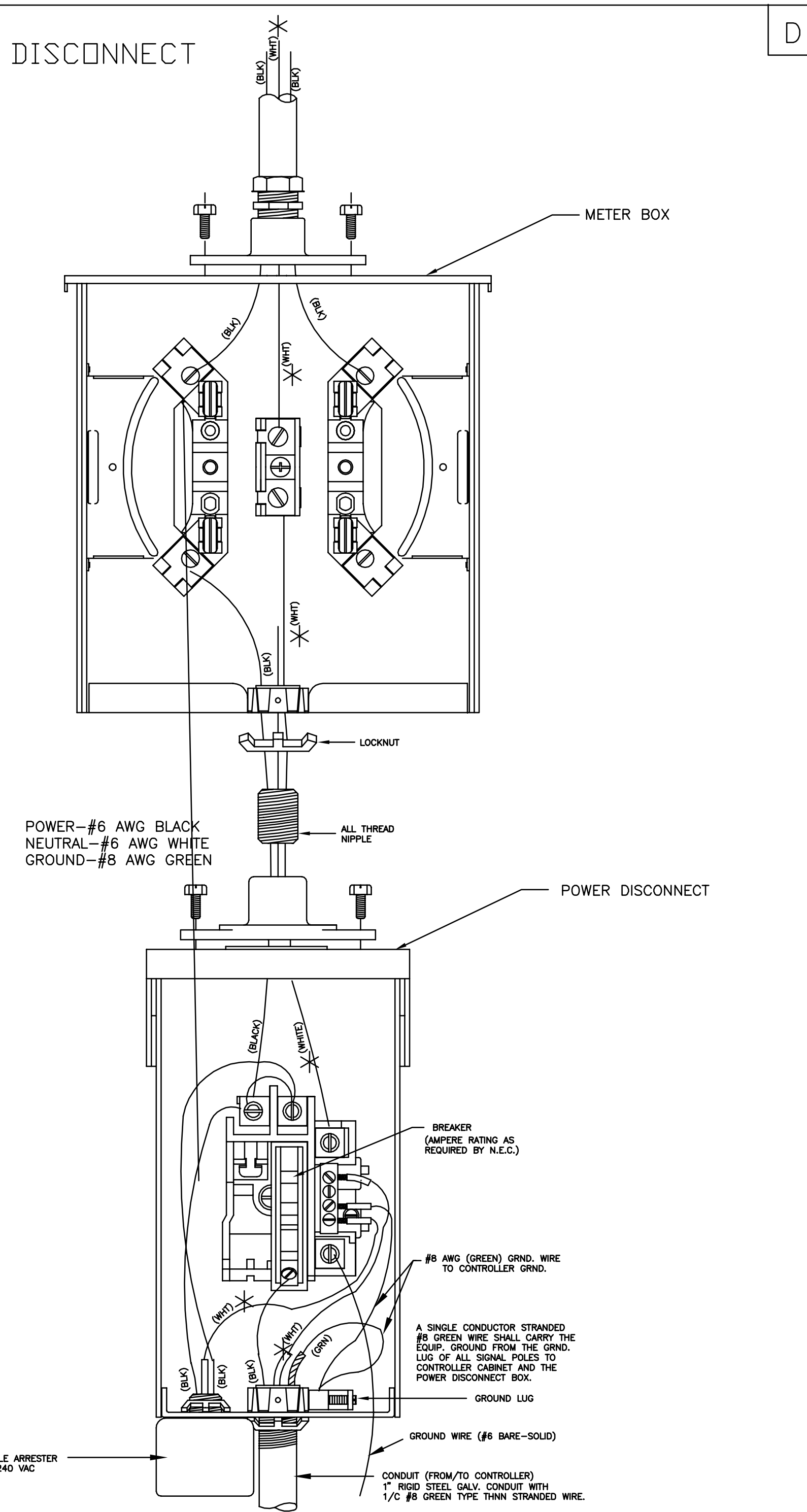
SPANWIRE ASSEMBLY DETAILS

1. MAX. SAG = 5% OF SPAN.
2. STANDARD BACKRAKE = 1.5%
3. HEIGHT OF STRAIN WIRE HOOK-UP TO BE DETERMINED BY FIELD ENGINEER. TRAFFIC SIGNAL CABLE TO BE SECURED TO STRAIN (SPAN) WIRE WEATHERABLE NYLON CABLE HANGERS (12" CTR.) DETAIL 'B'
4. TETHER CLAMP TO BE DESIGNED TO RELEASE UNDER 'HIGH WIND LOAD' TO PERMIT SIGNAL 'FREE SWING'.

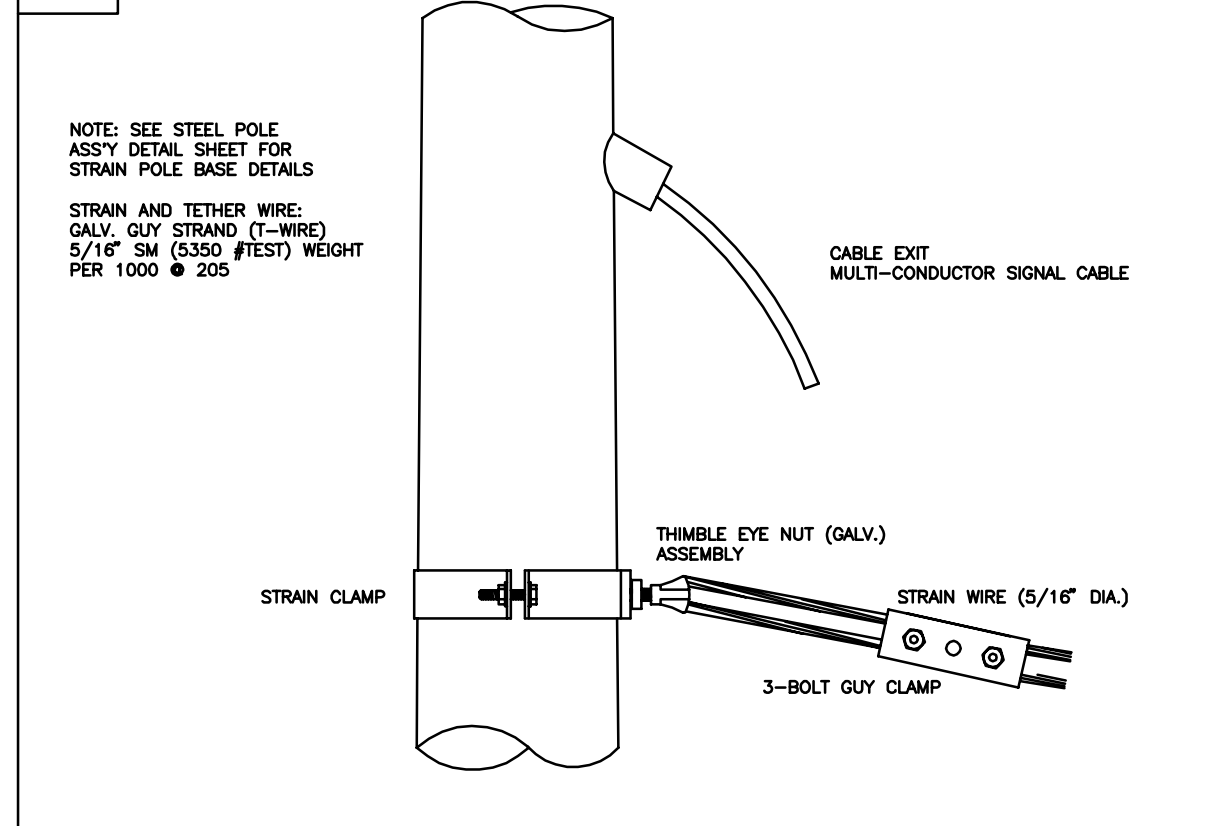


METER BOX & POWER DISCONNECT DETAILS

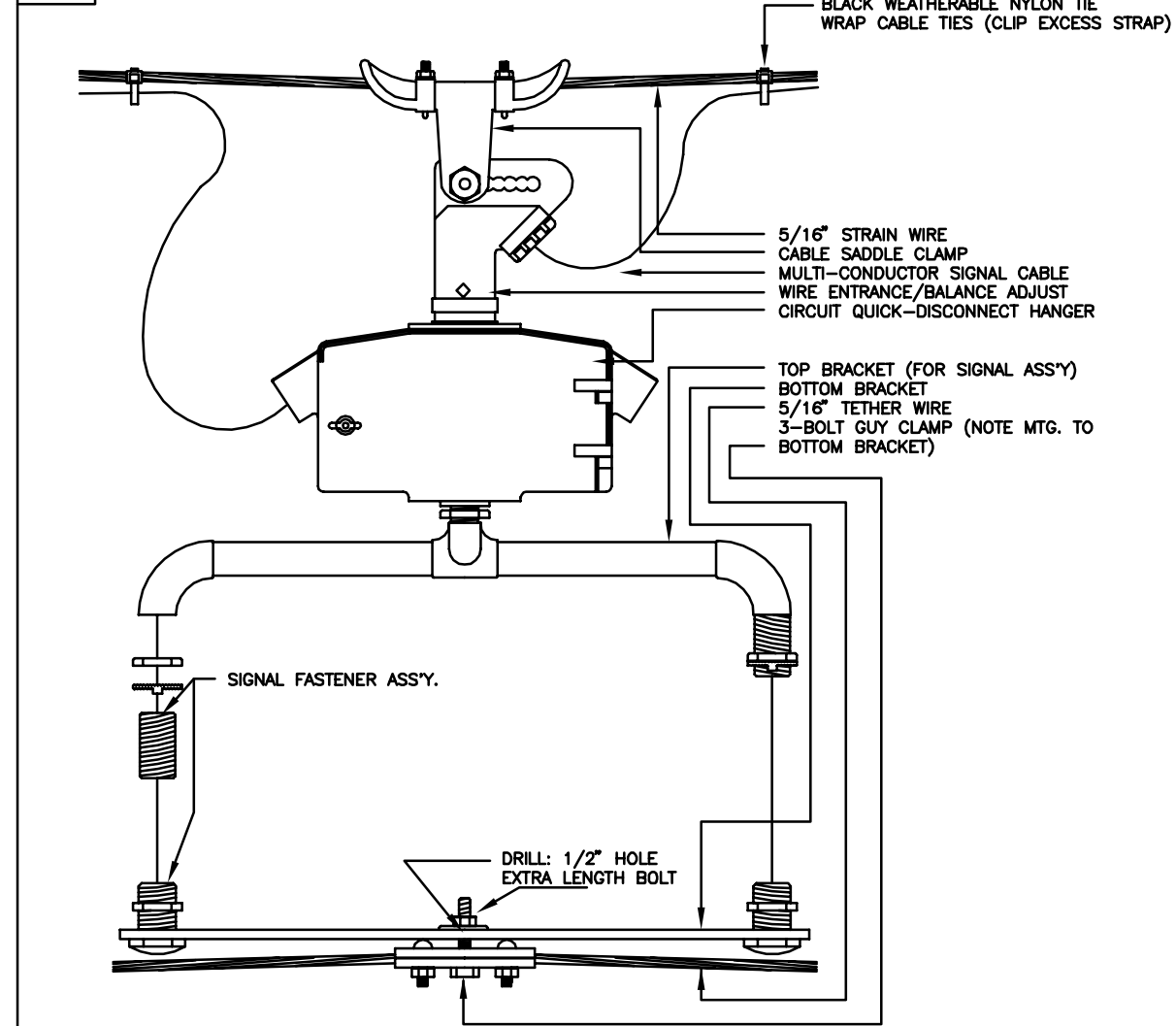
NOTE:
* TO BE MARKED WITH WHITE TAPE



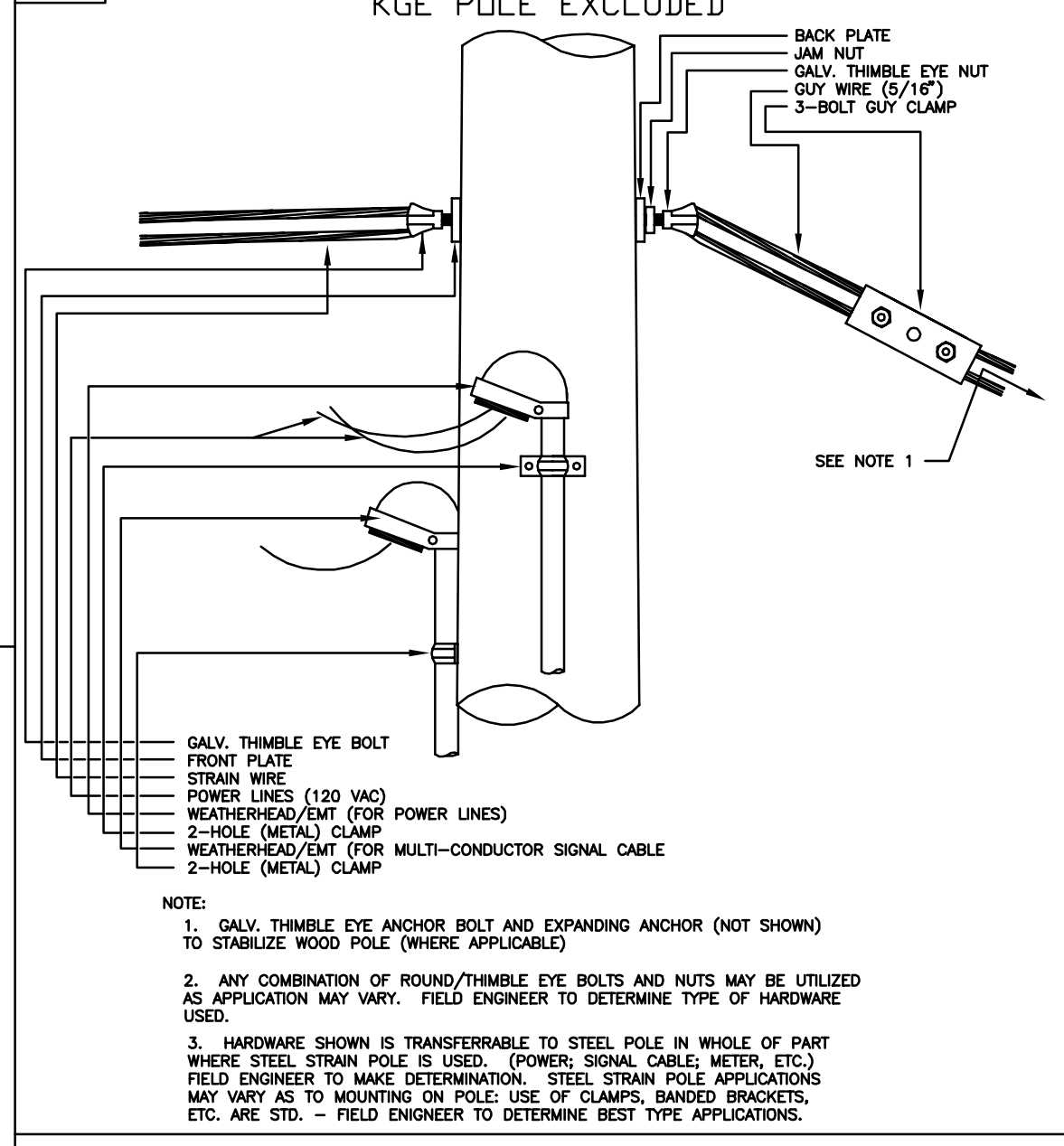
A STRAIN POLE ASSEMBLY



B SIGNAL BRACKET ASSEMBLY DETAILS



C WOOD POLE ASSEMBLY DETAILS KGE POLE EXCLUDED



- NOTE:
1. GALV. THIMBLE EYE ANCHOR BOLT AND EXPANDING ANCHOR (NOT SHOWN) TO STABILIZE WOOD POLE (WHERE APPLICABLE)
 2. ANY COMBINATION OF ROUND/THIMBLE EYE BOLTS AND NUTS MAY BE UTILIZED AS APPLICATION MAY VARY. FIELD ENGINEER TO DETERMINE TYPE OF HARDWARE USED.
 3. HARDWARE SHOWN IS TRANSFERABLE TO STEEL POLE IN WHOLE OR PART WHERE STEEL STRAIN POLE IS USED. (POWER SIGNAL CABLE METER, ETC.) FIELD ENGINEER TO MAKE DETERMINATION. STEEL STRAIN POLE APPLICATIONS MAY VARY AS TO MOUNTING ON POLE: USE OF CLAMPS, BANNED BRACKETS, ETC. ARE STD. - FIELD ENGINEER TO DETERMINE BEST TYPE APPLICATIONS.

CENTRAL PARK AND MAIZE ROAD		
POWER POLE AND SPAN POLE ASSEMBLY DETAILS		
PROJECT NUMBER 472-83957		
DRAWN BY: T.M.	SCALE NO SCALE	REVISED BY: L. B.
DATE: FEB. 96		DATE: 2/26/99
CITY OF WICHITA DEPARTMENT OF PUBLIC WORKS		
DIVISION OF TRAFFIC ENGINEERING WM. G. MCKINLEY P.E. TRAFFIC ENGINEER		SHEET 6 OF 9

DSNR: BER OPER: CSI SCALE: 1=100
 Q: 2004\04094\POWP-SP 02-25-2004 01:55:37 pm

REV. DATE	COMMENTS	INT.
2/99	Conduit Support / Gnd Rod at 1.8m 1/pole.	LRB
11/2003	Dimension to meter, descend & standoffs, conductor excess	LRB