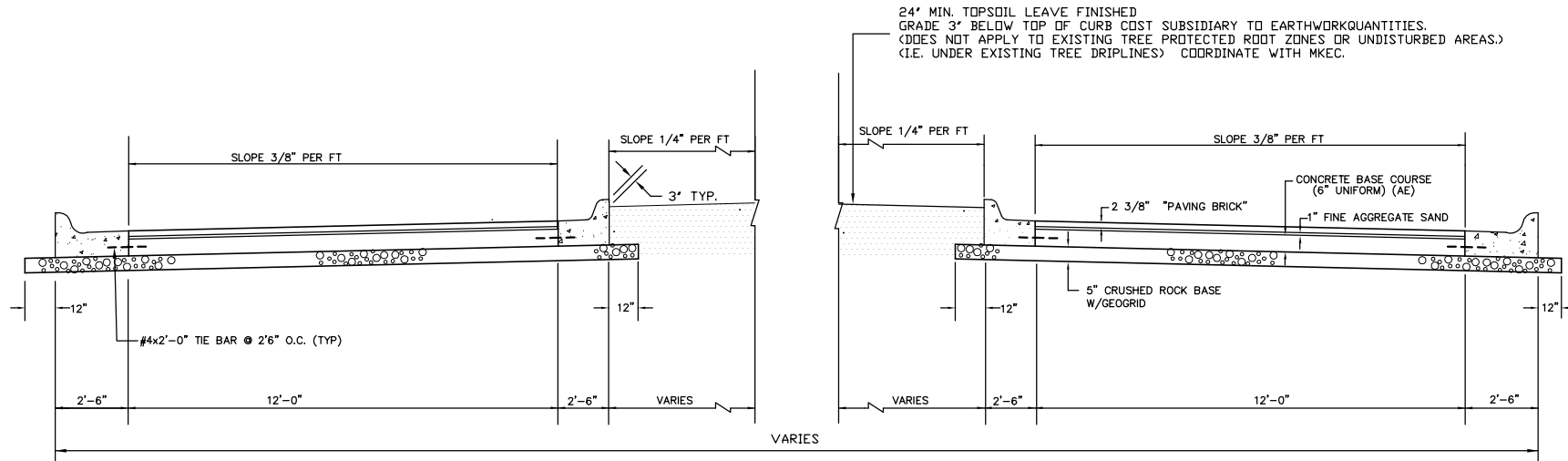


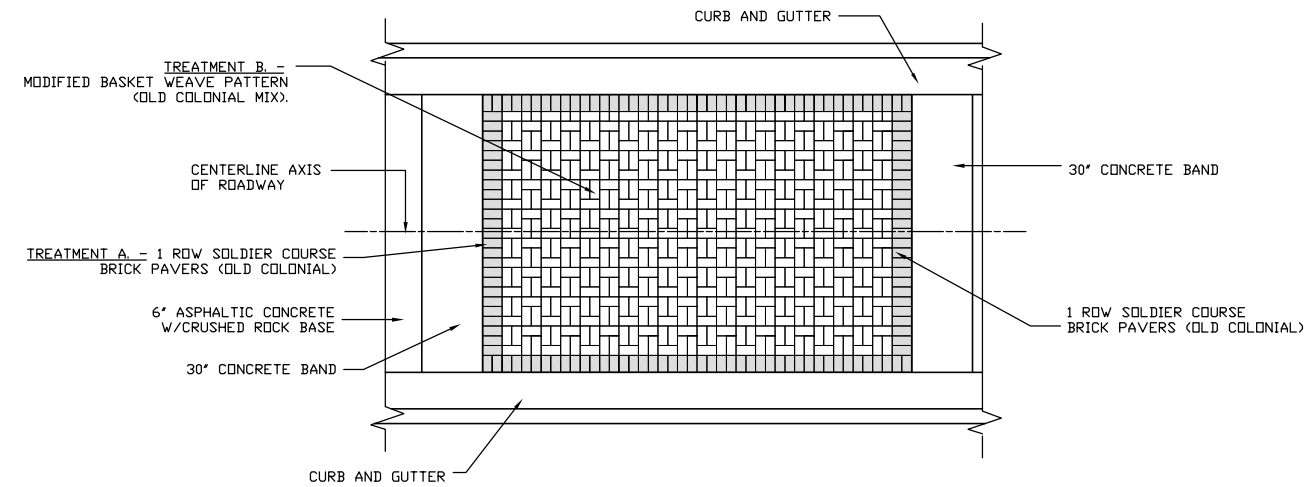
TYPICAL MEDIAN & CLAY PAVER PAVEMENT DETAILS



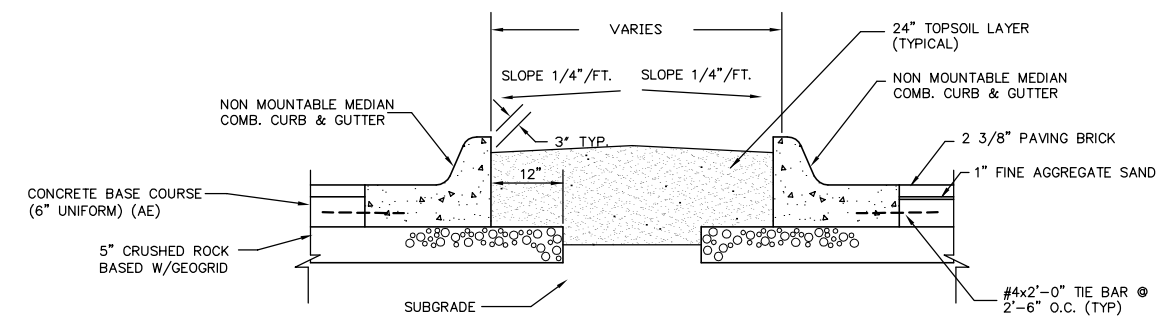
TRANSVERSE SECTION AT CONCRETE PAVERS

BRICK PAVER SCHEDULE		
MANUFACTURER	STYLE	COLOR
KANSAS BRICK & TILE (OR APPROVED EQUAL)	OLD COLONIAL	MIX

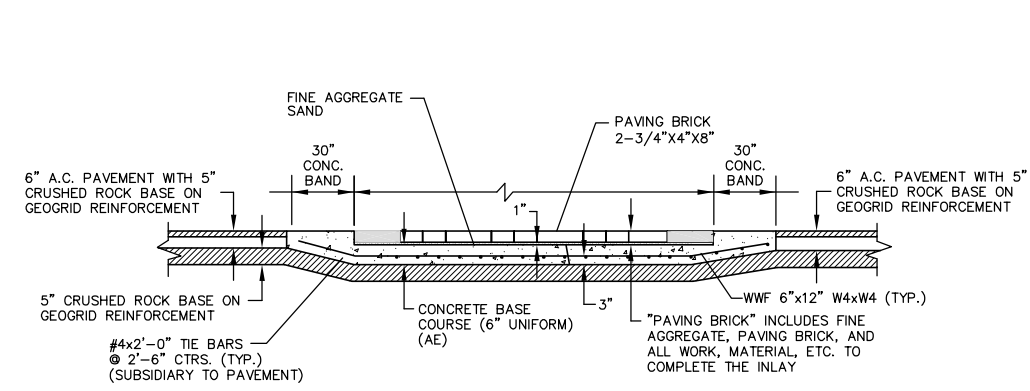
- NOTES:
- CLAY BRICK PAVERS SHALL BE 2-3/4"x4"x8", AND MEET OR EXCEED ASTM C-902. COMPRESSIVE STRENGTH SHALL BE 8,000 PSI MINIMUM, AND HAVE MAXIMUM ABSORPTION OF 5%. PAYMENT SHALL BE AT THE CONTRACT BID PRICE PER SQUARE YARD FOR "PAVING BRICK".
 - CONCRETE BASE COURSE SHALL BE BID AS "CONCRETE PAVEMENT (6" UNIFORM) (AE)". CONC. BAND AND ADDITIONAL CONCRETE THICKNESS IN TRANSITION TO APRON AND IN THICKENED C&G SHALL BE SUBSIDIARY TO "CONCRETE BASE (6" UNIFORM) (AE)".
 - ADDITIONAL FORM WORK FOR CONSTRUCTION OF THE CONCRETE PAVER WILL BE SUBSIDIARY TO THE BID ITEM "PAVING BRICK".
 - SAND BEDDING SHALL MEET KDOT STANDARDS FOR FINE AGGREGATE. AN UNCOMPACTED SAND LAYING COURSE SHALL BE SPREAD EVENLY OVER THE AREA TO BE PAVED AND THEN SCREED TO A LEVEL OF APPROXIMATELY 1" THICKNESS. ONCE SCREED AND LEVELED TO THE DESIRED ELEVATION, THE SAND LAYING COURSE SHALL NOT BE DISTURBED IN ANY WAY.
 - PAVER COLORS SHALL BE RANDOMLY PLACED WITH SMALL GROUPINGS OF LIKE COLORS.
 - BLOCKS SHALL BE PLACED WITH THE CHAMFERED SIDE UP, AND JOINT SPACES KEPT UNIFORM APPROXIMATELY 1/8" THICK. THE GAPS AT THE EDGE OF THE PAVED SURFACE SHALL BE FILLED WITH PAVING BLOCKS CUT TO FIT. CUTTING SHALL BE ACCOMPLISHED TO LEAVE A CLEAN EDGE TOWARD THE TRAFFIC SURFACE, USING A MASONRY SAW. WHENEVER POSSIBLE, NO CUTS SHOULD RESULT WITH A PAVER LESS THAN ONE-THIRD OF ITS ORIGINAL DIMENSION. INDIVIDUAL PAVERS ARE TO BE PLACED IN THE PATTERN SHOWN (REFER TO DETAIL "PAVING PLAN").
 - PAVING BRICK SHALL BE VIBRATED TO THEIR FINAL LEVEL IN THE SAND LAYING COURSE BY TWO OR THREE PASSES OF A VIBRATING COMPACTOR CAPABLE OF 3000 TO 5000 POUNDS COMPACTION FORCE WITH THE SURFACE CLEAN AND JOINTS OPEN.
 - AFTER VIBRATION, CLEAN CONCRETE SAND SHALL BE SPREAD OVER THE PAVING STONE SURFACE, ALLOWED TO DRY, AND VIBRATED INTO THE JOINTS WITH ADDITIONAL PASSES OF THE PLATE VIBRATOR SO AS TO COMPLETELY FILL THE JOINTS. A LIGHT COATING OF SAND SHALL BE SWEEP OVER THE COMPLETED SURFACE AND LEFT TO WEATHER IN.
 - A SAND LAYER SHALL BE MAINTAINED OVER PAVER SURFACES DURING ADJACENT ASPHALT CONSTRUCTION, AND REMAIN FOR A MINIMUM OF THIRTY DAYS AFTER ASPHALT SURFACES HAVE BEEN COMPLETED.



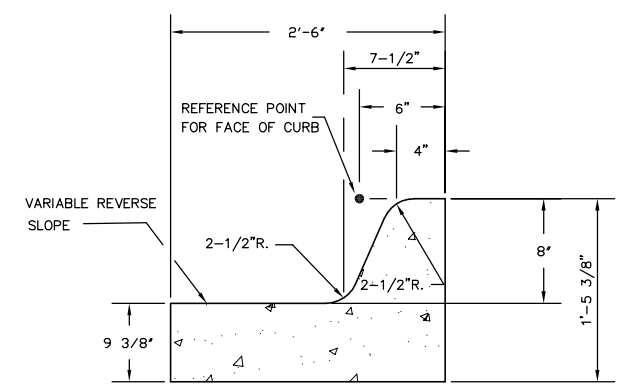
PAVING PLAN
SCALE: NONE



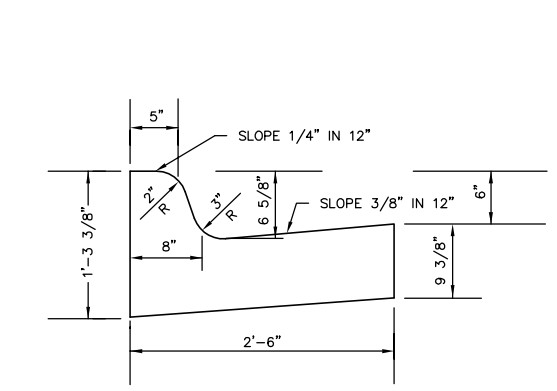
MEDIAN DETAIL



LONGITUDINAL CONCRETE PAVER SECTION



MEDIAN COMBINED CURB & GUTTER CONCRETE PAVER PAVEMENT



COMBINED CURB & GUTTER CONCRETE PAVER PAVEMENT

HAWTHORNE ADDITION
PROJECT NAME

PAVING DETAILS
SHEET TITLE

MKEC
ENGINEERING CONSULTANTS
411 N. WEBB ROAD
WICHITA, KS. 67206
316-684-9600

DATE	DESIGN BY	DRAWN BY	CHECKED BY
MARCH 2003	BFL	BFL	DRK

JOB NO. 02167ED2 SHEET/OF 3 / 19

H:\CIVIL\02167ED2\02167ED2\02167ED2.CHASE 02167ED2