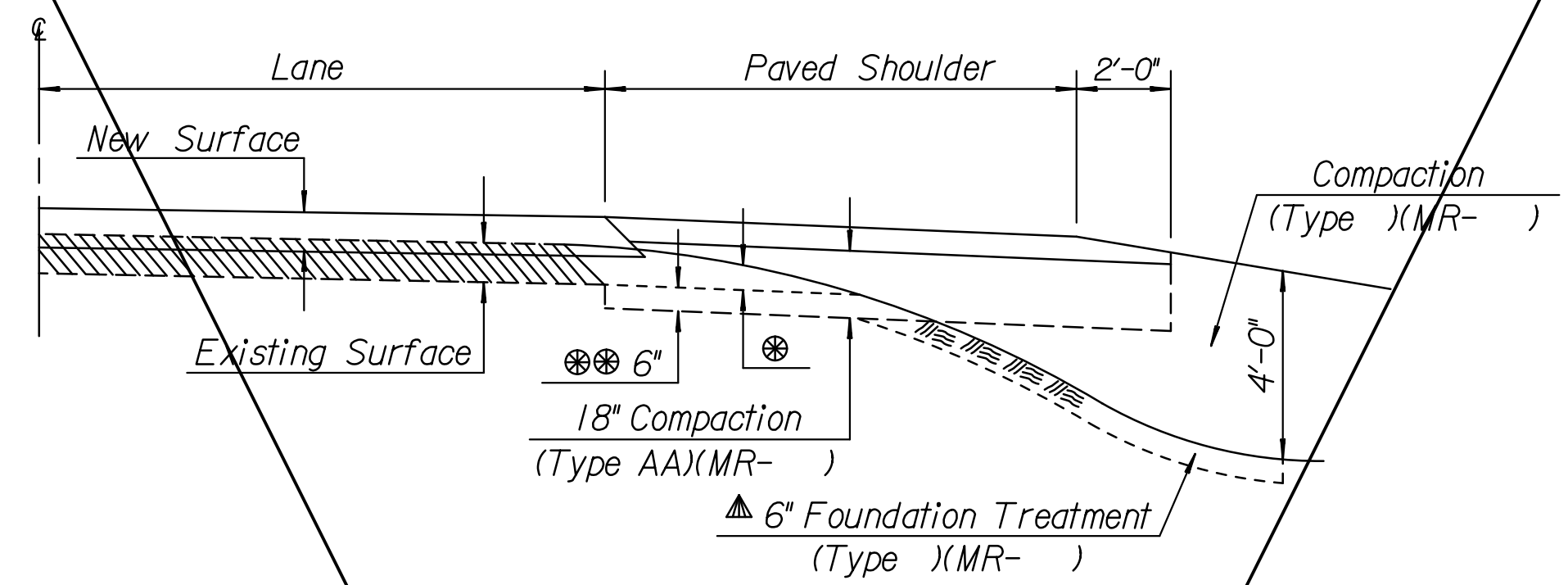
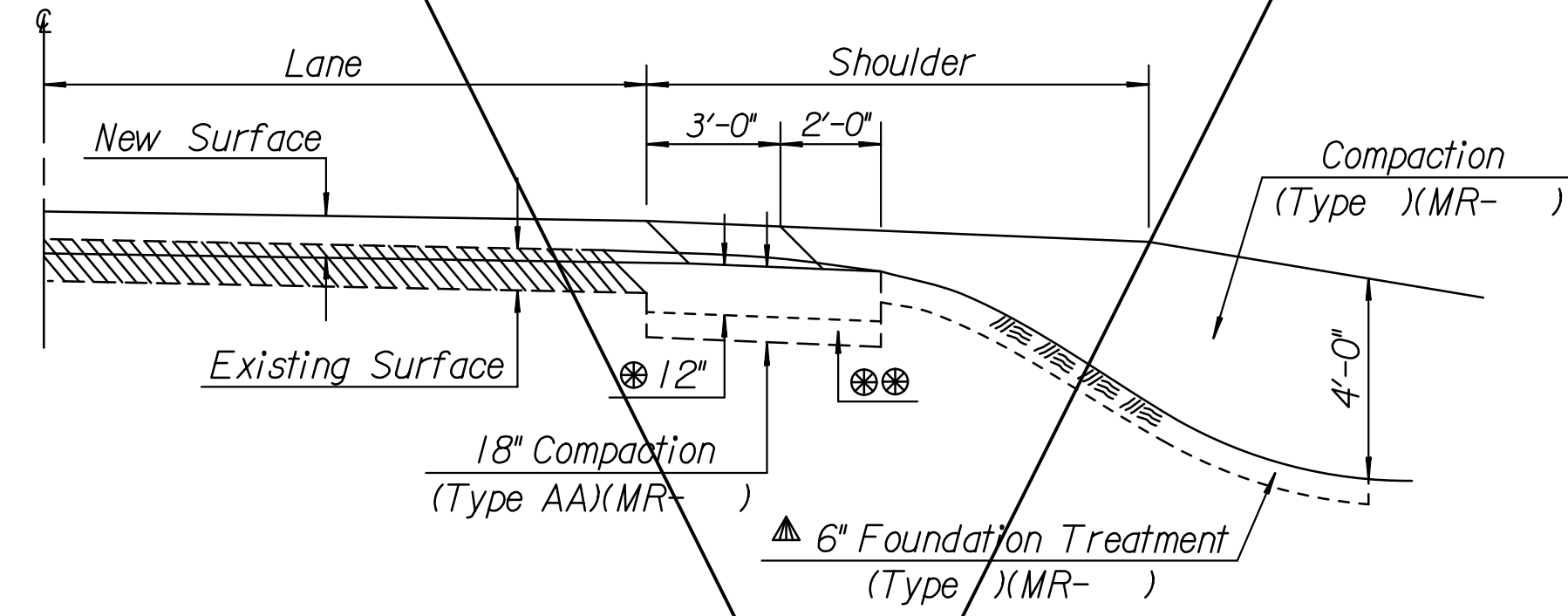


STATE	PROJECT NO.	YEAR	SHEET NO.	TOTAL SHEETS
KANSAS	472-84780	2015	8	227

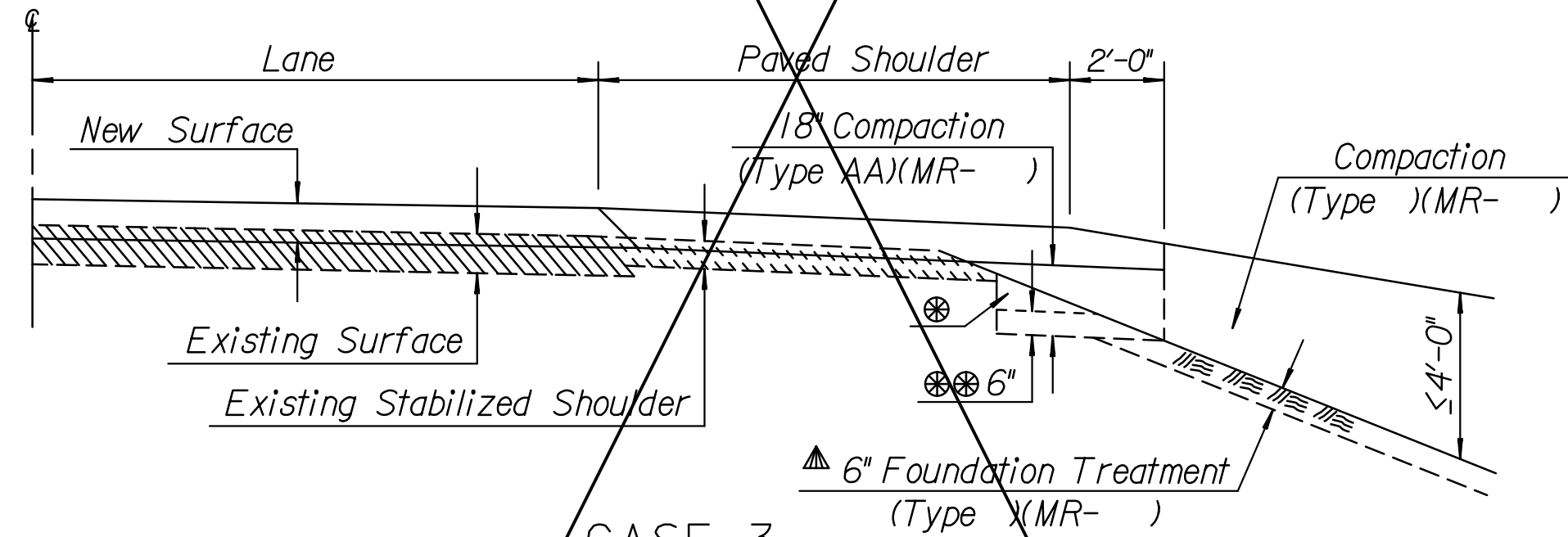
REHABILITATION



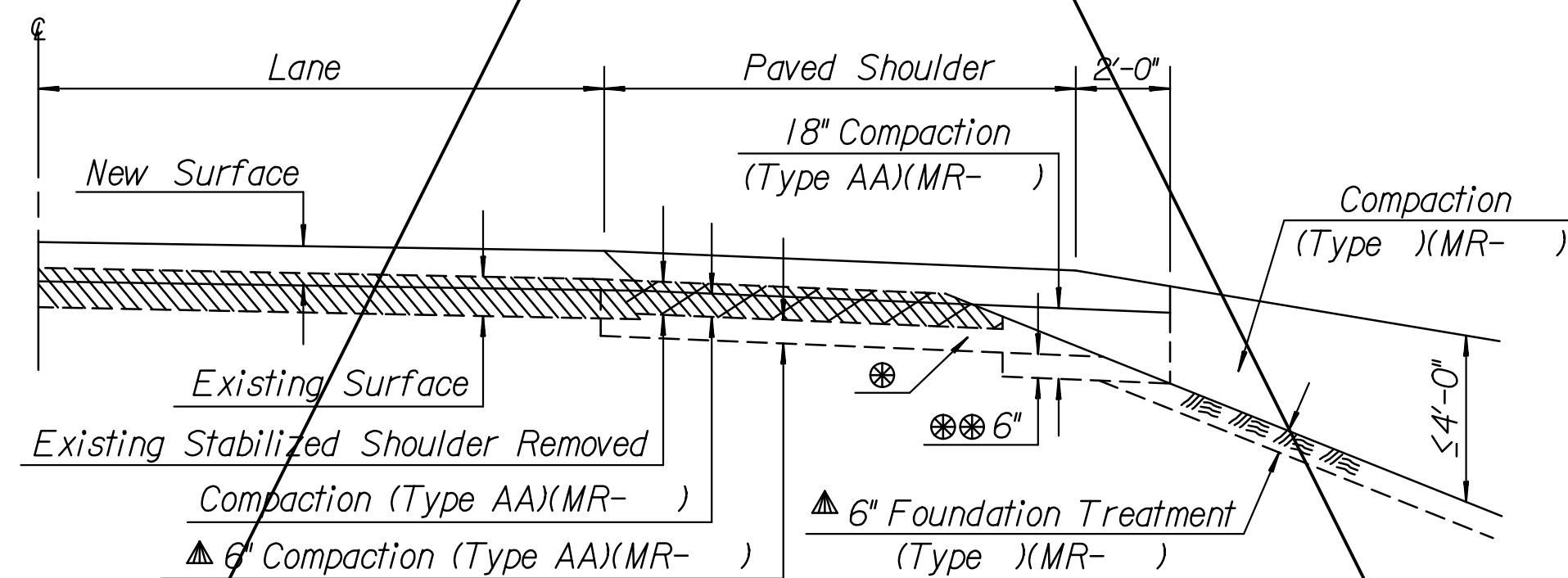
CASE 1
Overlay with Paved Shoulder



CASE 2
Overlay with Composite Shoulder



CASE 3
Overlay with Existing Paved Shoulder

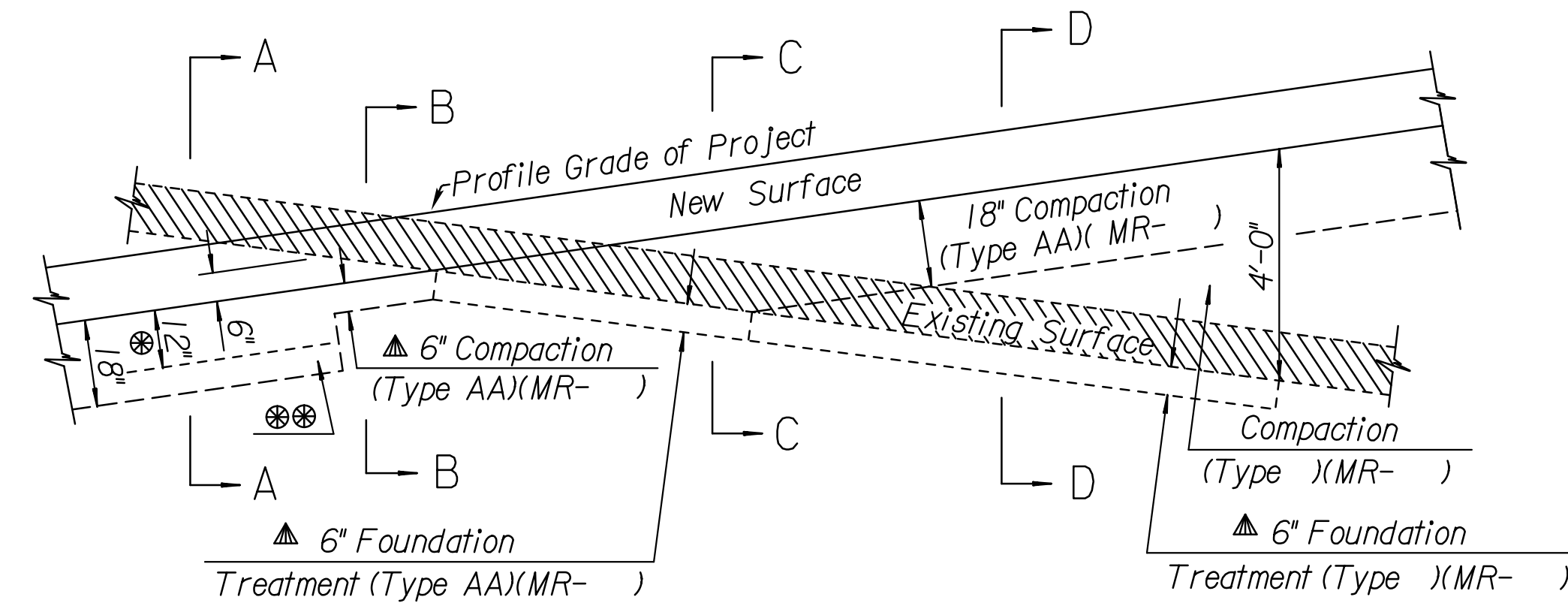


CASE 4
Overlay with Shoulder Replacement

- ⊗ Excavation thru Cuts not Subgraded
- ⊗⊗ The lower 6" of Compaction is subsidiary.
- ▲ Compaction of this material shall be subsidiary.

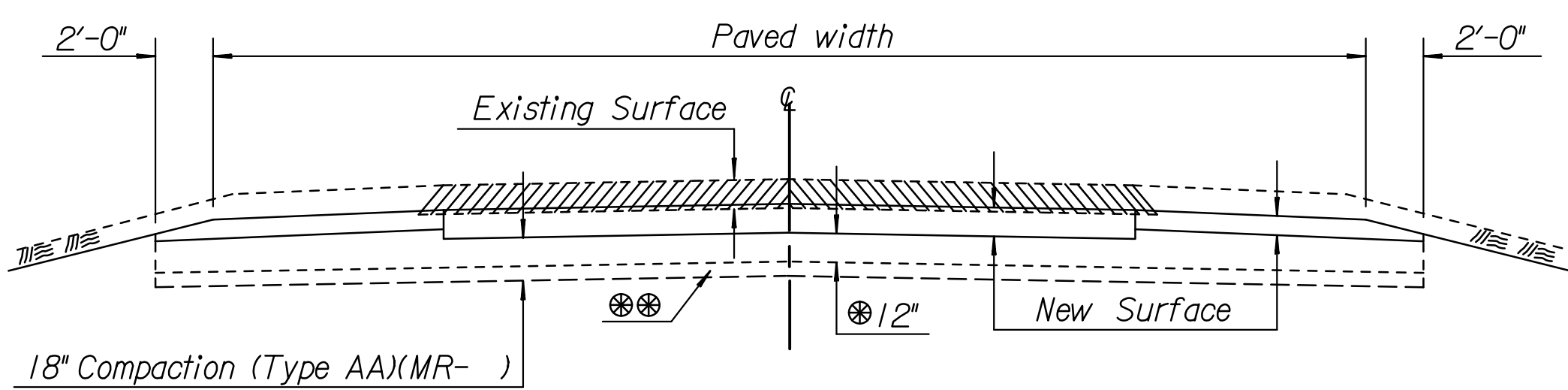
Note: These are 4 general cases. Specific compaction requirements are determined on a project-by-project basis.

RECONSTRUCTION

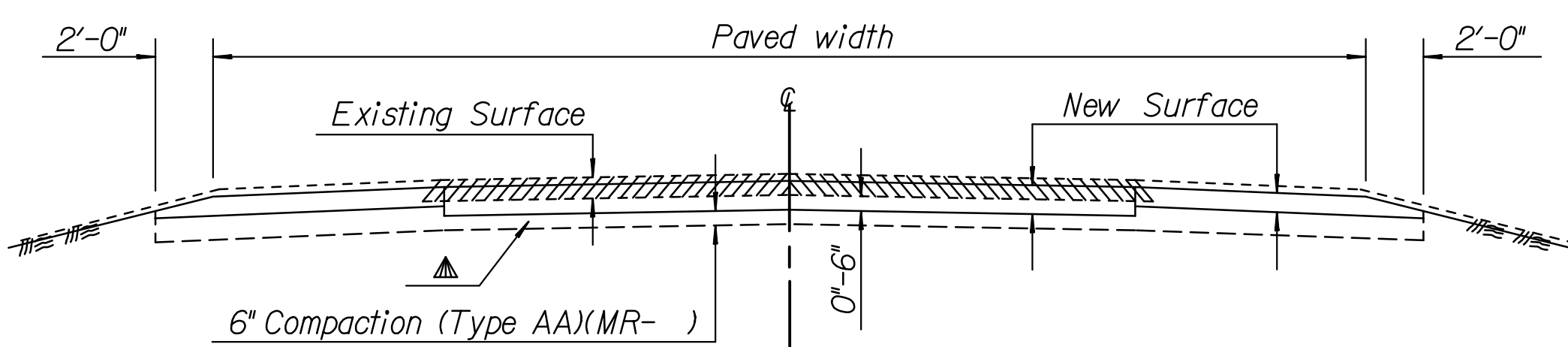


PROFILE

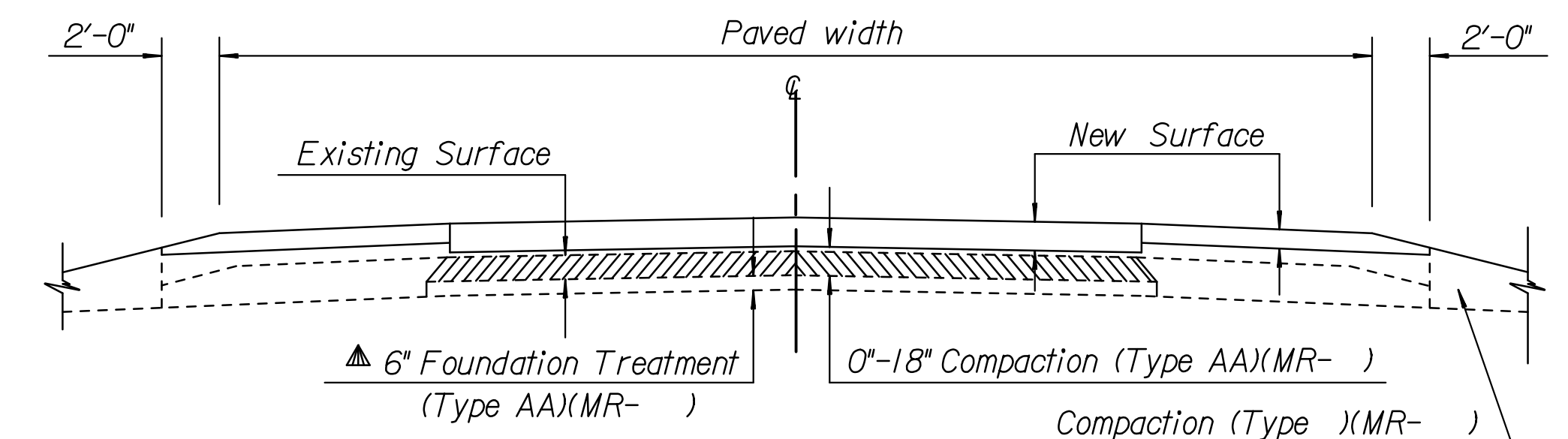
- ⊗ Excavation thru Cuts not Subgraded
- ⊗⊗ The lower 6" of Compaction is subsidiary.
- ▲ Compaction of this material shall be subsidiary.



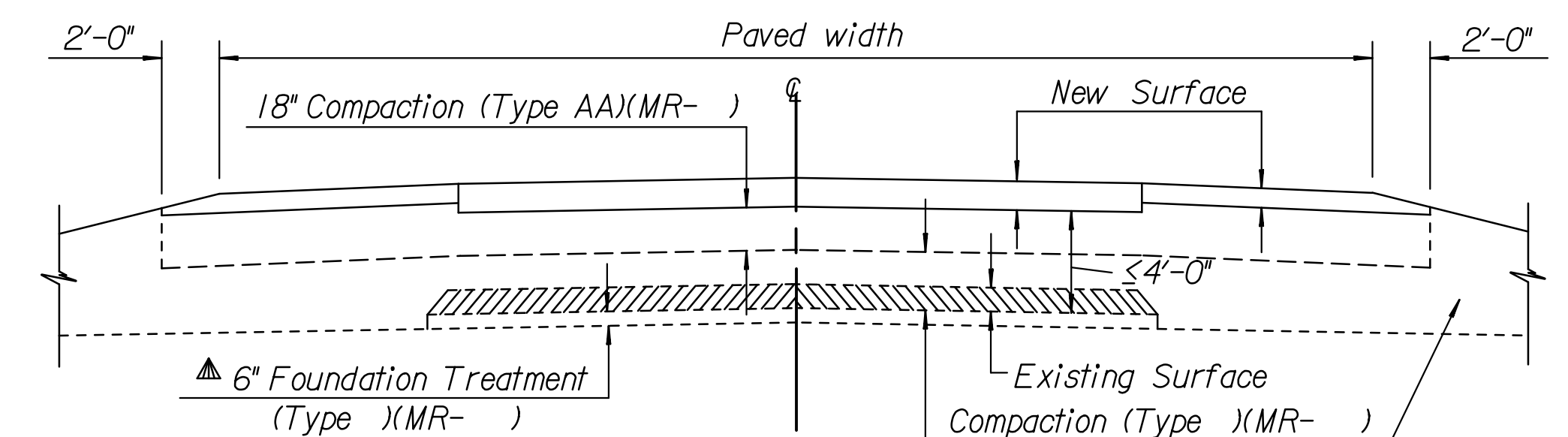
SECTION A-A



SECTION B-B

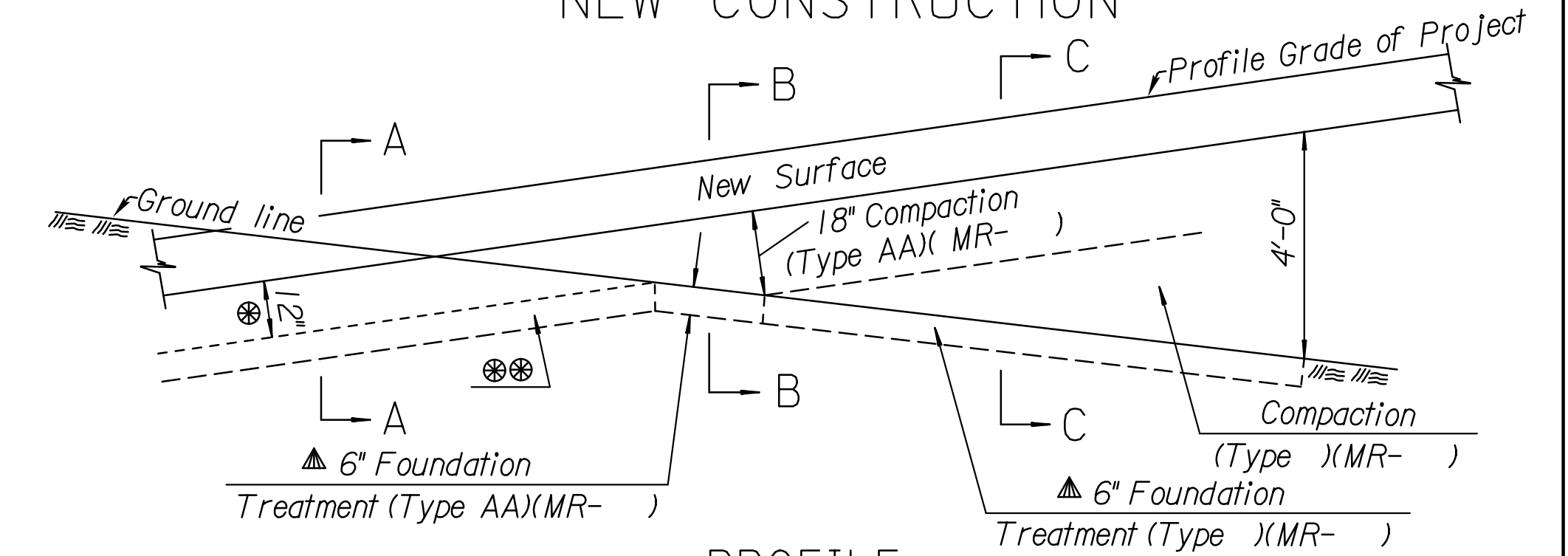


SECTION C-C



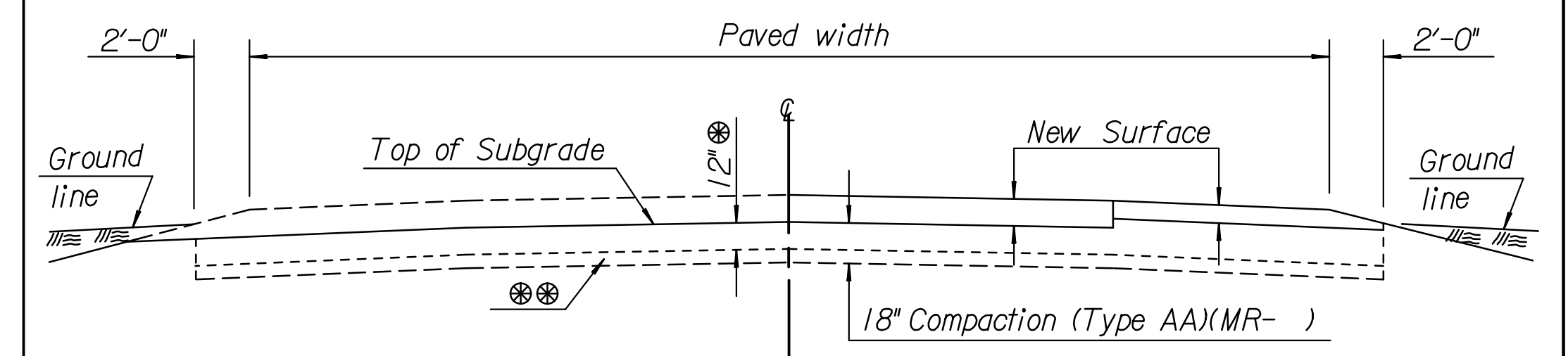
SECTION D-D

NEW CONSTRUCTION

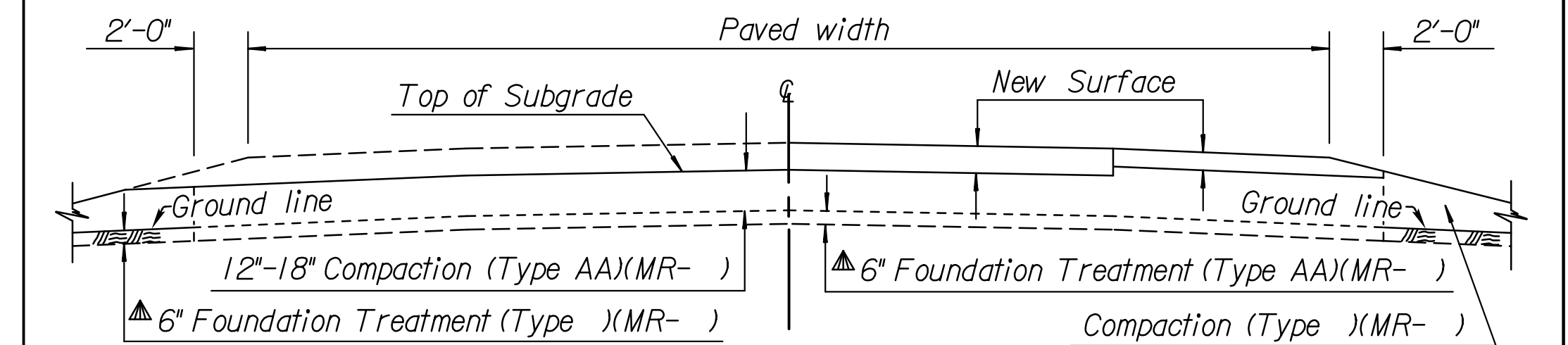


PROFILE

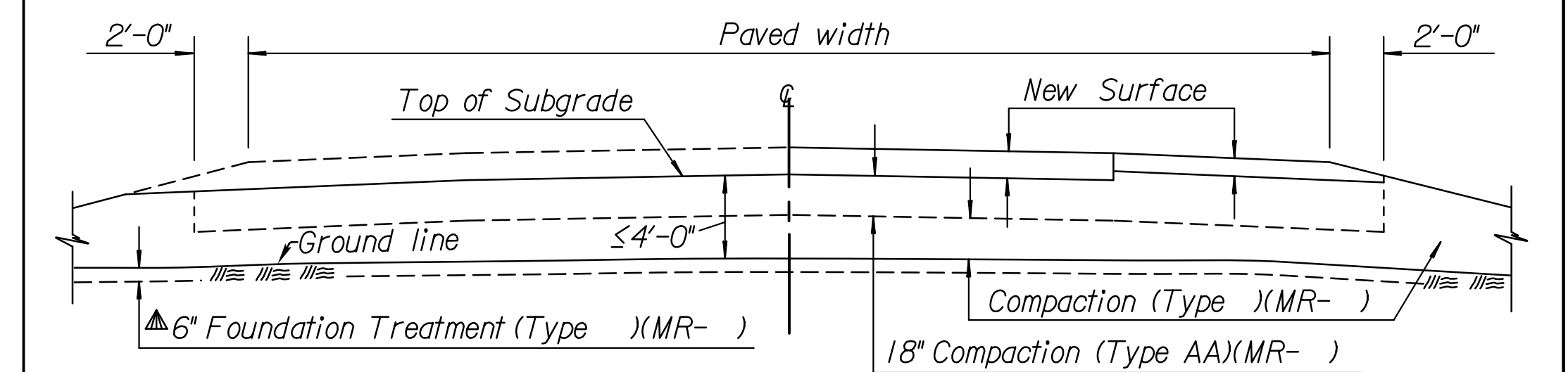
- ⊗ Excavation thru Cuts not Subgraded
- ⊗⊗ The lower 6" of Compaction is subsidiary.
- ▲ Compaction of this material shall be subsidiary.



SECTION A-A
GRADING SURFACING



SECTION B-B
GRADING SURFACING



SECTION C-C
GRADING SURFACING

General Note
For materials designated to be subgraded, compaction of soils, including shales, designated for backfill refer to Standard Drawing RD605A for details.
Unless otherwise noted on the Plans, compact all embankment, including side roads and entrances.

NO.	DATE	REVISIONS	BY	APP'D
5	10-17-11	Revised General Note	S.W.K.	J.O.B.
4	1-05-10	Added additional subsidiary comp.	S.W.K.	J.O.B.
3	2-16-05	Redrawn, Rev. Recon. Sec. C-C & D-D	S.W.K.	J.O.B.
2	5-29-98	Revised Reconstruction Section B-B	R.J.S.	J.O.B.

KANSAS DEPARTMENT OF TRANSPORTATION

FOUNDATION TREATMENT & COMPACTION OF EARTHWORK

RD605			
DESIGNED	12-5-11	APP'D.	James O. Brewer
DETAIL CK.	DETAIL CK.	QUANTITIES	TRACED Bowser
DESIGN CK.	DETAIL CK.	QUAN. CK.	TRACE CK. King