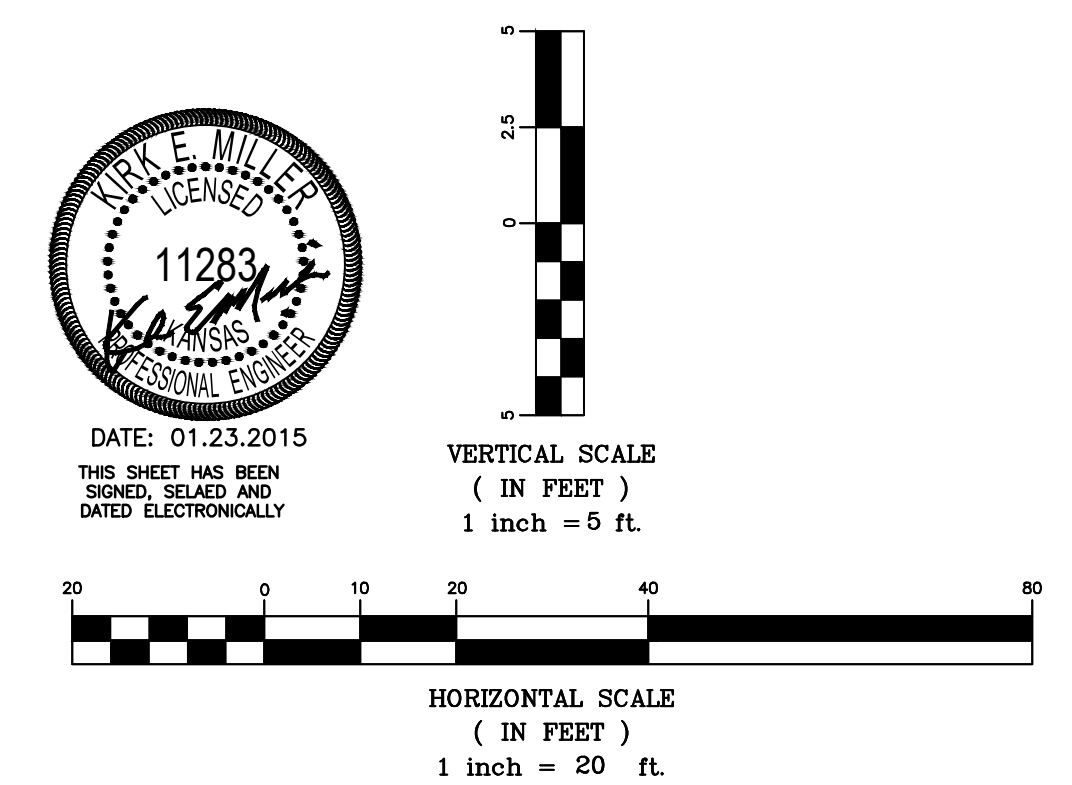
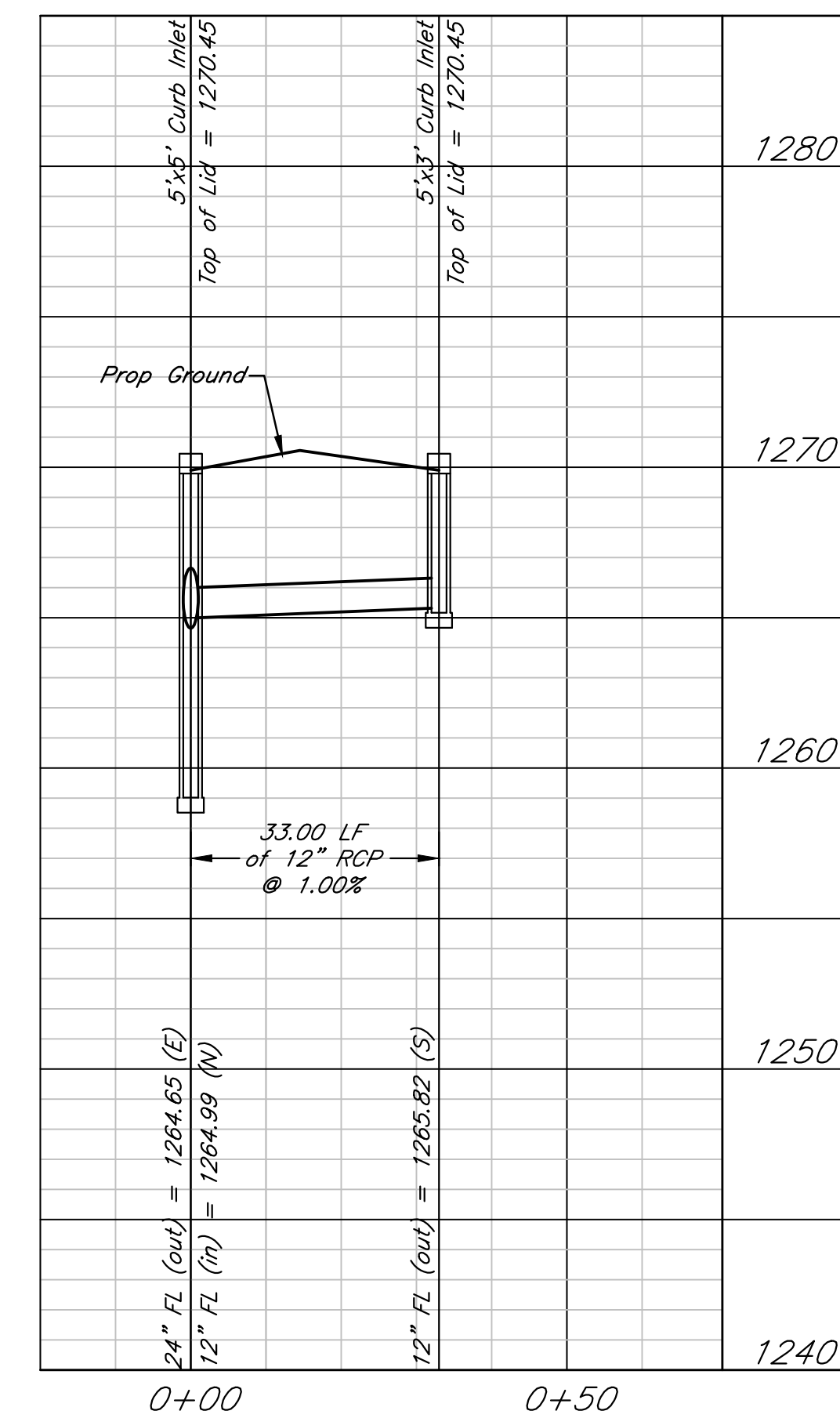
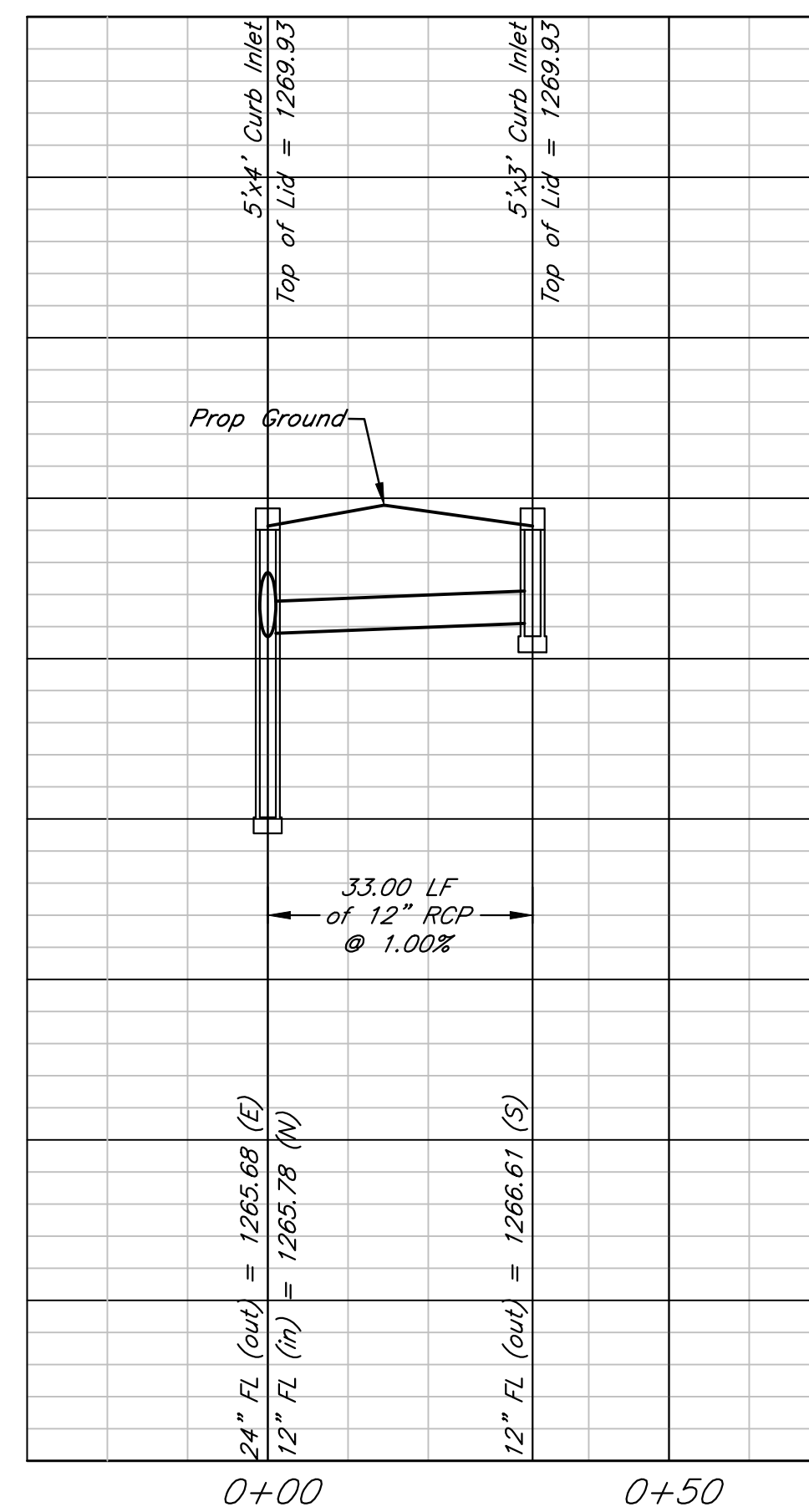
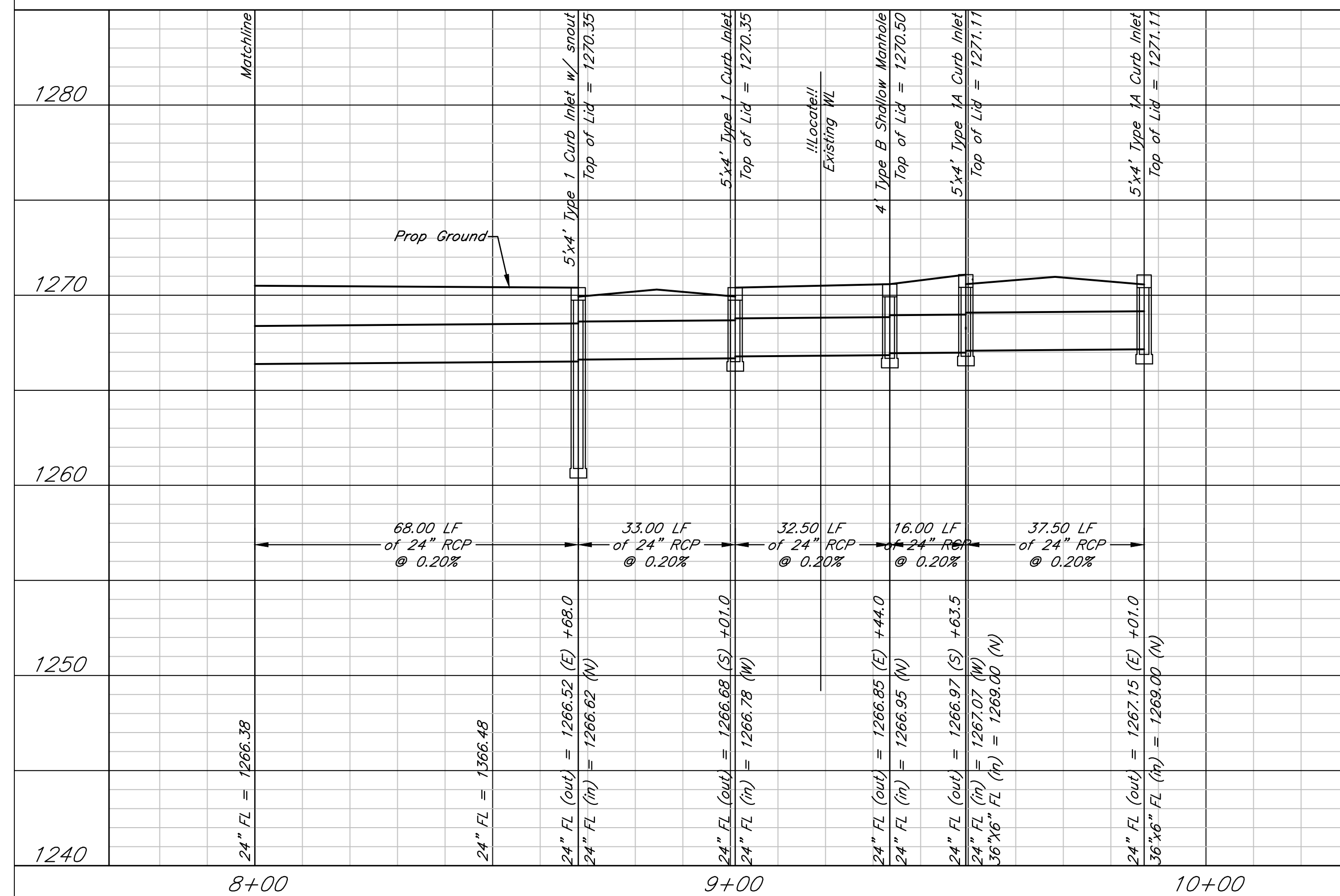


Line 1

Line 2

Line 3



Georgia Street
Plan & Profile, Line 1 & Line 2
Wichita, Kansas

	PROJECT NUMBER			SHEET 14.0
	KEM NO. 13175	FILE	DATE 03/2014	
DESIGN KM	DRAWN ME	REVISED		