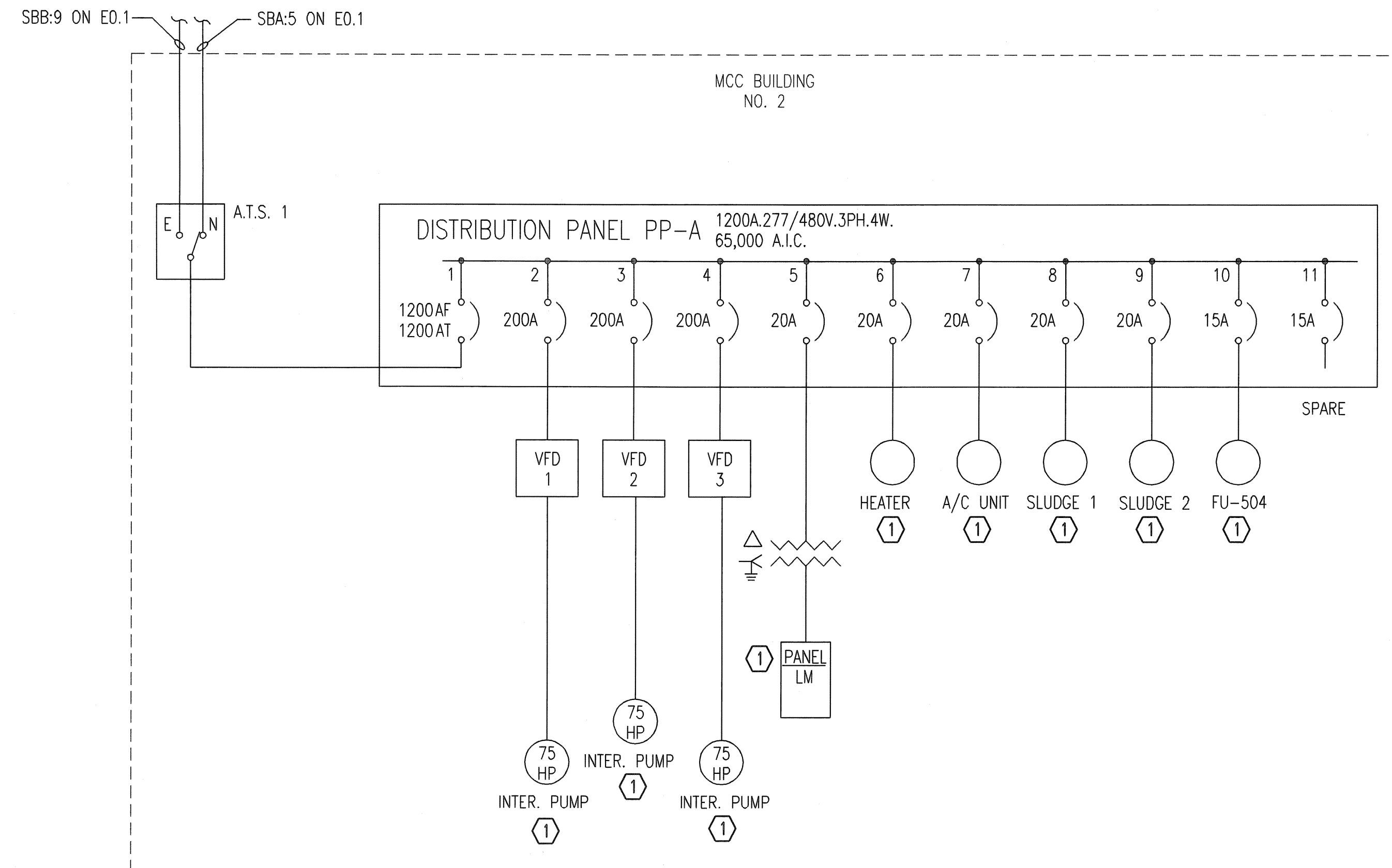


GENERAL ONE-LINE DIAGRAM NOTES:

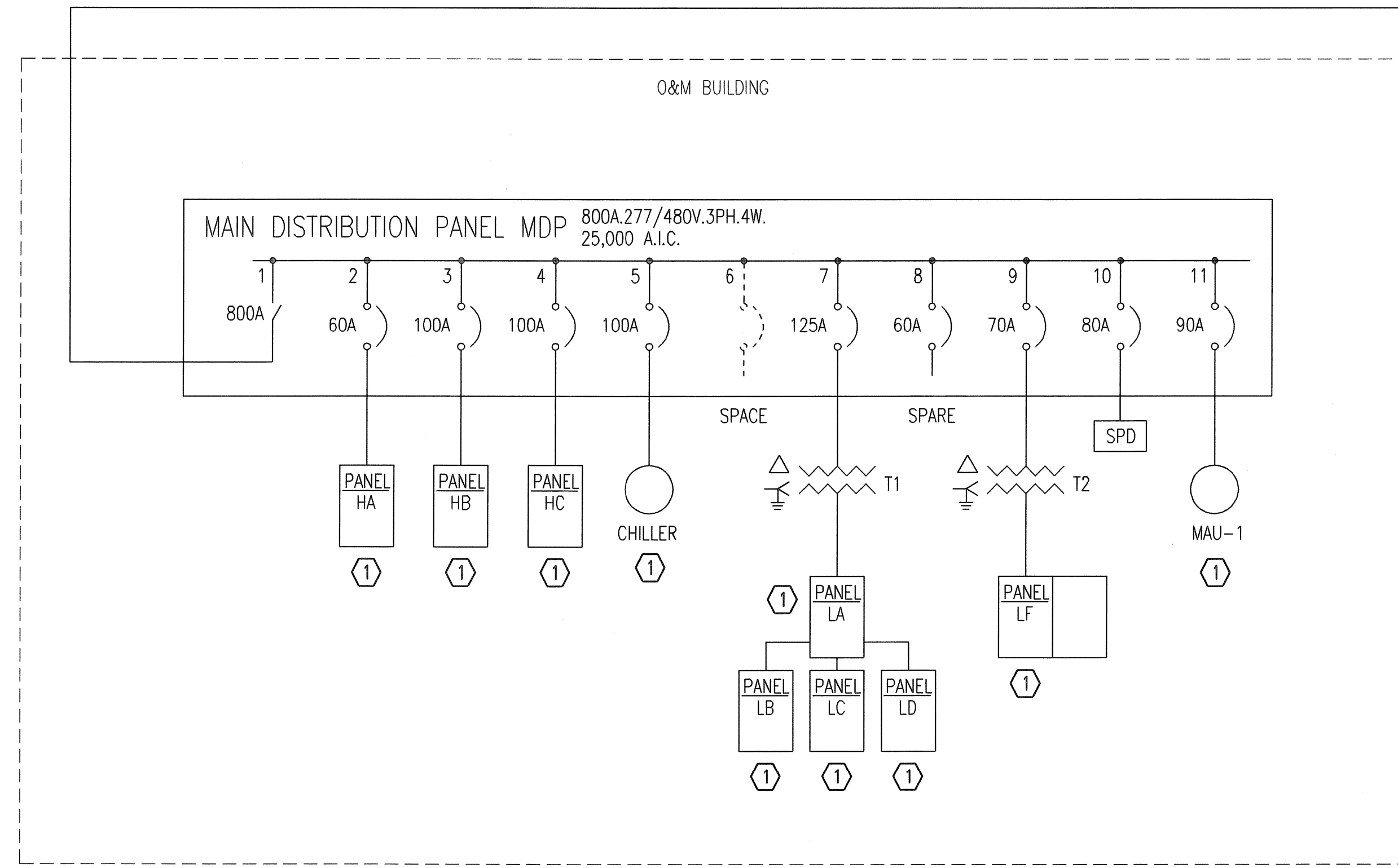
1. UNLESS OTHERWISE NOTED, ALL CIRCUIT BREAKERS AND/OR SWITCHES ARE THREE POLE.
2. ALL ELECTRICAL EQUIPMENT AND WIRING SHOWN IN A LIGHT LINE, IS EXISTING TO REMAIN.

KEYED NOTES:

- ① CRITICAL LOAD ON STANDBY POWER.



SBB:1 ON EO.1



1 EXISTING ONE-LINE DIAGRAM
NOT TO SCALE

Served 01-31-2015 12:31:58 PM by CIV
 Plot Scale 1:1 02-24-2015 10:45:20 AM by CHRIS VAIL
 U:\Wichita-Facility\2014\14229\001\Elec\Drawings\EO2 EXISTING ONE-LINE DIAGRAM

| | | | | |
|-------------|---|---------|-------------------|-----------------|
| | Revision | | By | Date |
| | CITY OF WICHITA, KANSAS EXISTING ONE-LINE DIAGRAM | | | |
| | WWTP #2 EMERGENCY POWER PROJECT C.O.W. PROJECT NO. 468-84956 | | | |
| | PROFESSIONAL ENGINEERING CONSULTANTS, P.A. 303 SOUTH TOPEKA WICHITA, KS 67202 316-262-2691 www.pec1.com | | | |
| Designed by | RWW | Job No. | 34-14229-001-0042 | Sht. EO.2 of 36 |
| Drawn by | CJV | Date | 2/23/15 | |