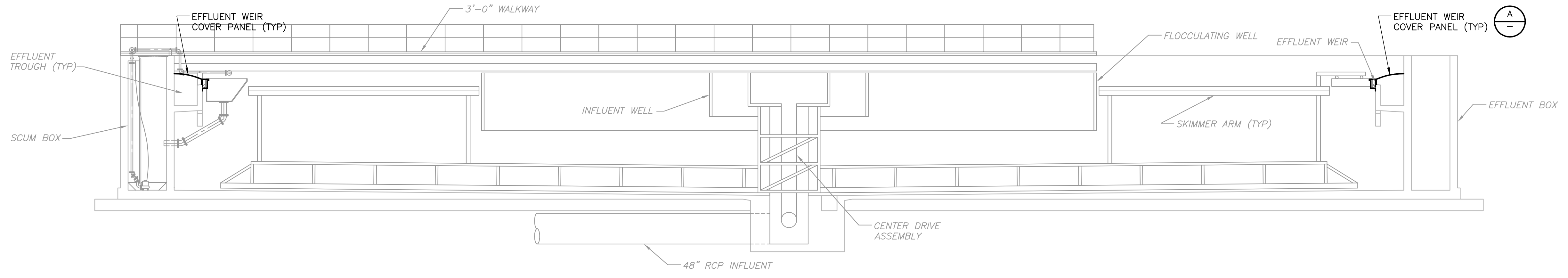
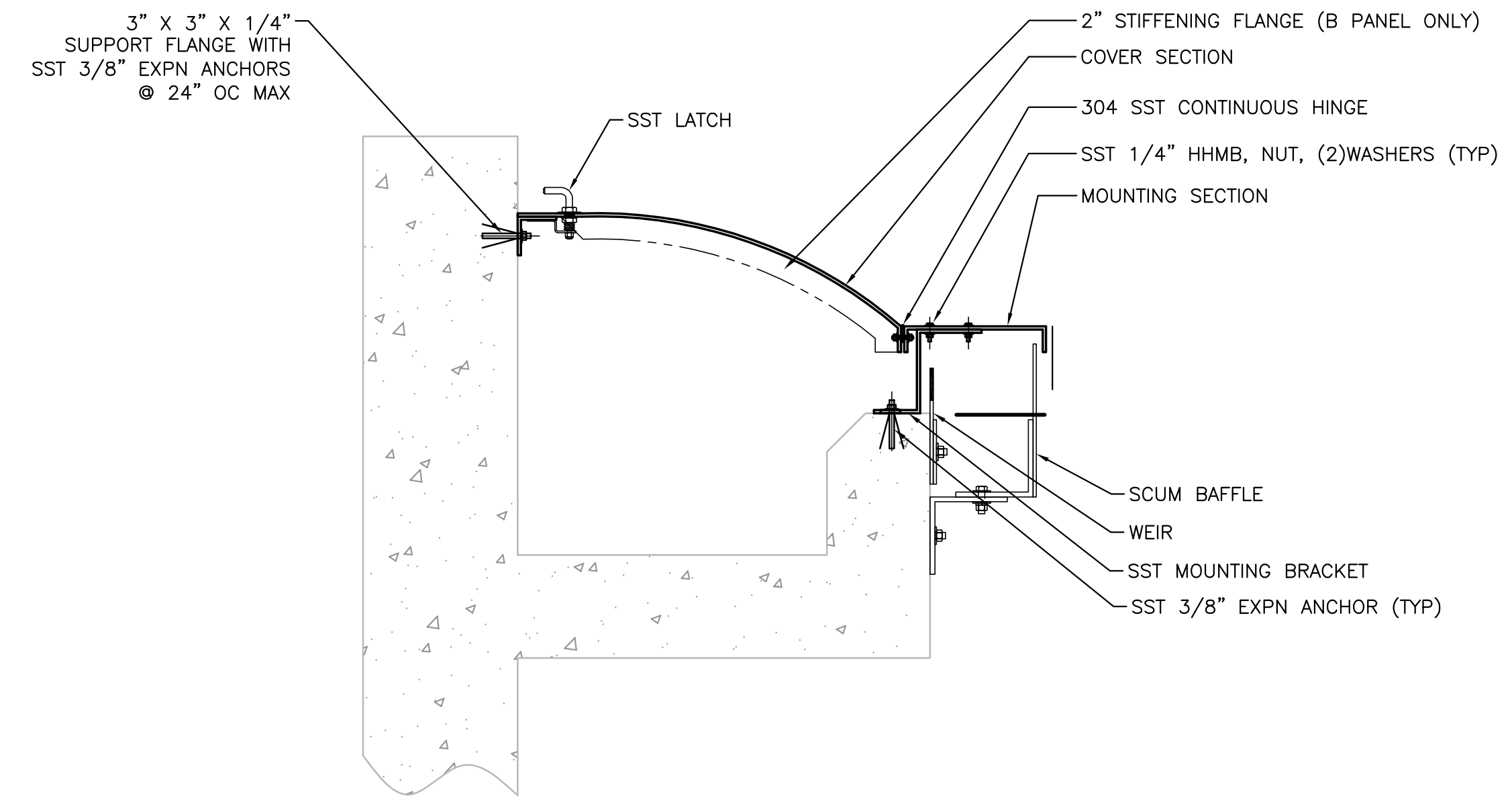


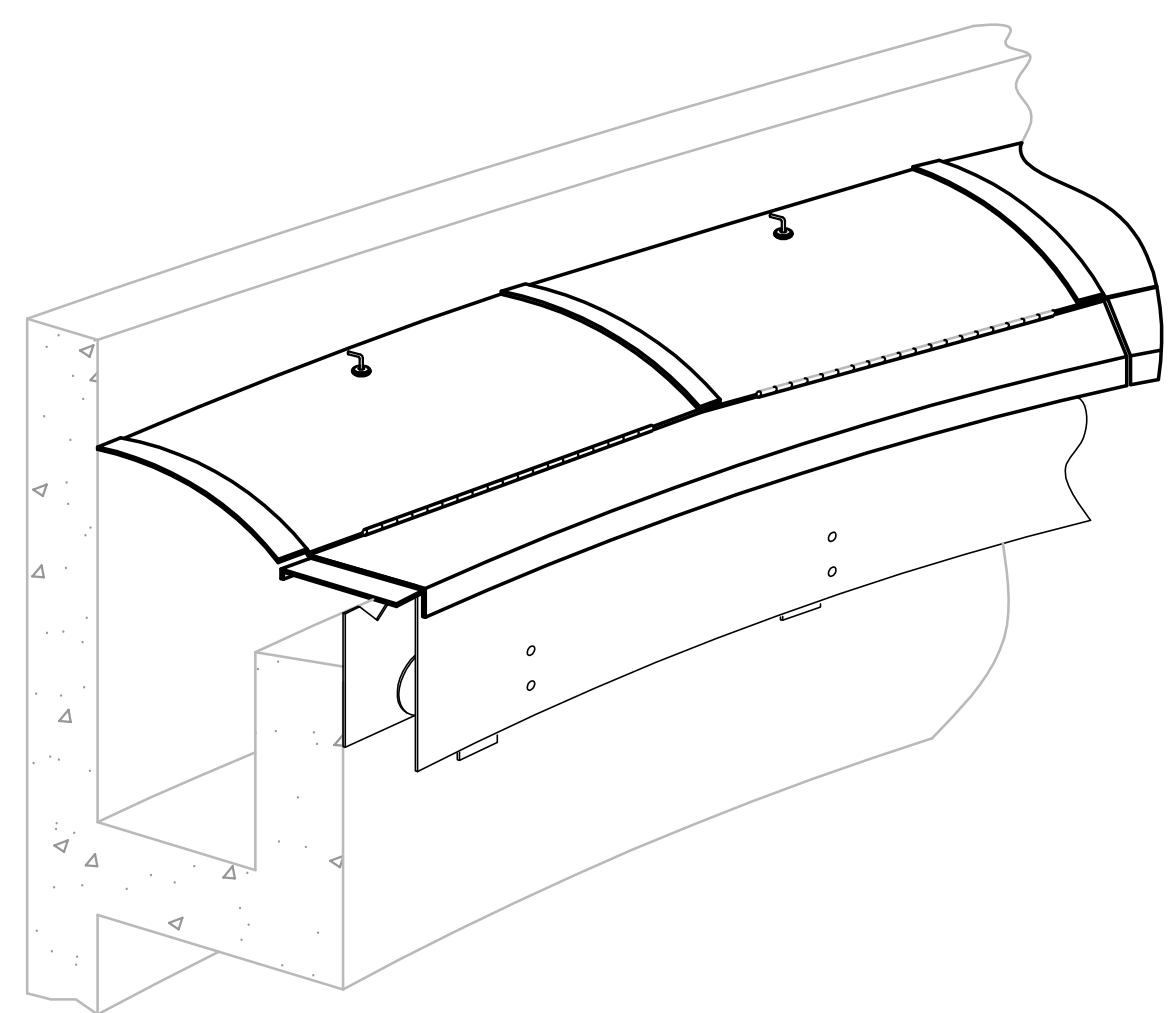
1/8" = 1'-0"
4 2 0 4 8



SECTION 1
1/8" = 1'-0" A-1



INBOARD LAUNDER DETAIL A
NTS



ISOMETRIC

XREFS: [CDMS_2234_SFCL100_MFCPL100_MFCPL110] Images: []
 Last saved by: REESEB Time: 4/16/2015 8:57:12 AM
 pw:\dcpwapp1\FW_XM1\2395\104609\04 Design Services NM_5% 05 Process Mechanical\10 CADD_AFCSC002.dwg
 © 2015 CDM SMITH ALL RIGHTS RESERVED.
 REUSE OF DOCUMENTS: THESE DOCUMENTS AND DESIGNS PROVIDED BY PROFESSIONAL SERVICE, INCORPORATED HEREIN, ARE THE PROPERTY OF CDM SMITH AND ARE NOT TO BE USED, IN WHOLE OR PART, FOR ANY OTHER PROJECT WITHOUT THE WRITTEN AUTHORIZATION OF CDM SMITH.

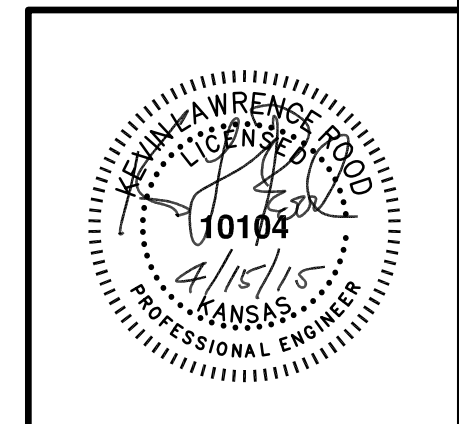
REV. NO.	DATE	DRWN	CHKD	REMARKS

DESIGNED BY: K. ROOD
 DRAWN BY: K. REESE
 SHEET CHK'D BY: X
 CROSS CHK'D BY: X
 APPROVED BY: X
 DATE: APRIL 2015



CITY OF WICHITA, KANSAS
 WATER AND SEWER DEPARTMENT
**SEWAGE TREATMENT PLANT NO.2 IMPROVMENTS
 UV DISINFECTION**

ALTERNATE BID
FINAL CLARIFIER SECTION AND DETAILS



PROJECT NO. 2395-104609
 FILE NAME: AFCSC002
 SHEET NO. **A-2**