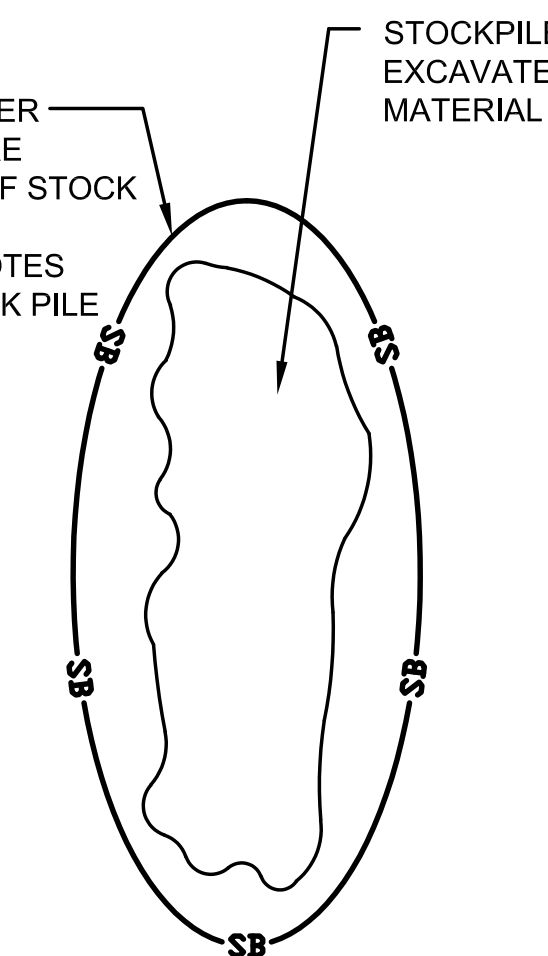
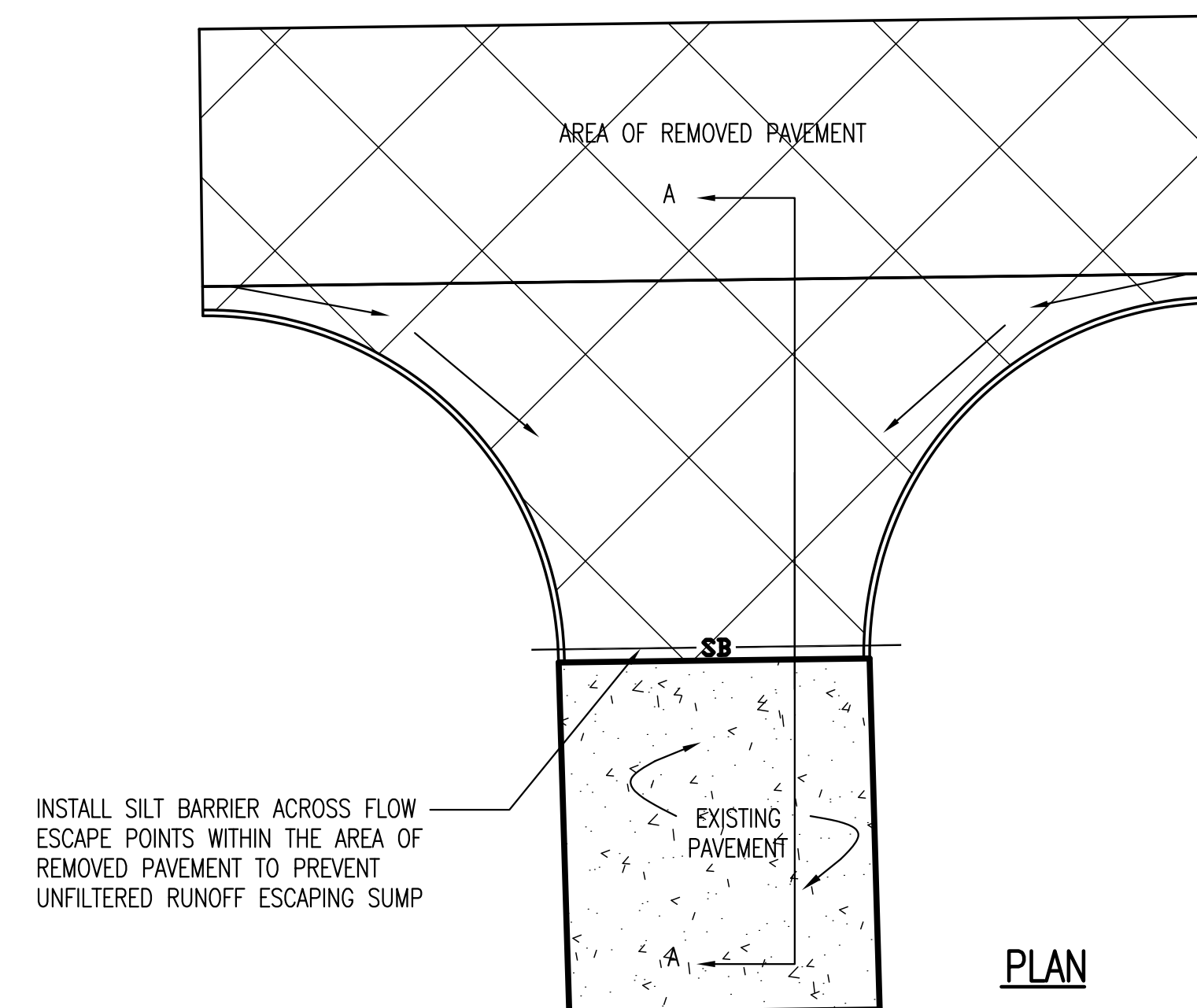


**EROSION CONTROL PLAN - YALE STREET**

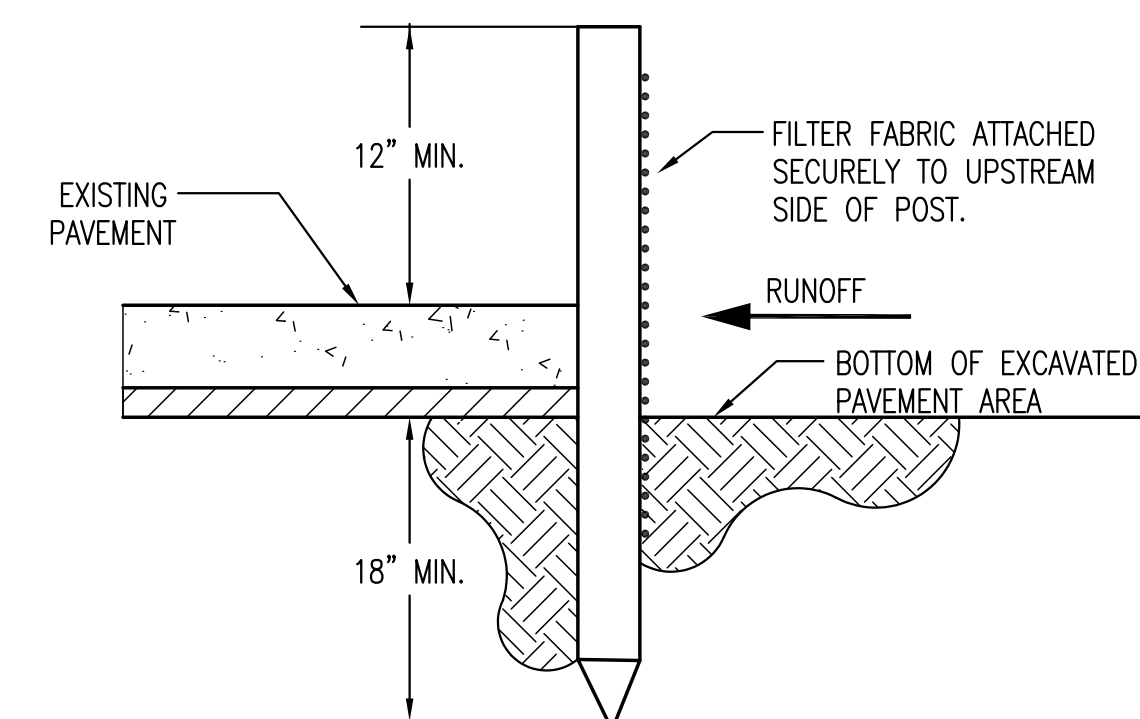
INSTALL SILT BARRIER AROUND THE ENTIRE CIRCUMFERENCE OF STOCK PILED EXCAVATED MATERIALS. SEE NOTES CONCERNING STOCK PILE ALLOWANCES.



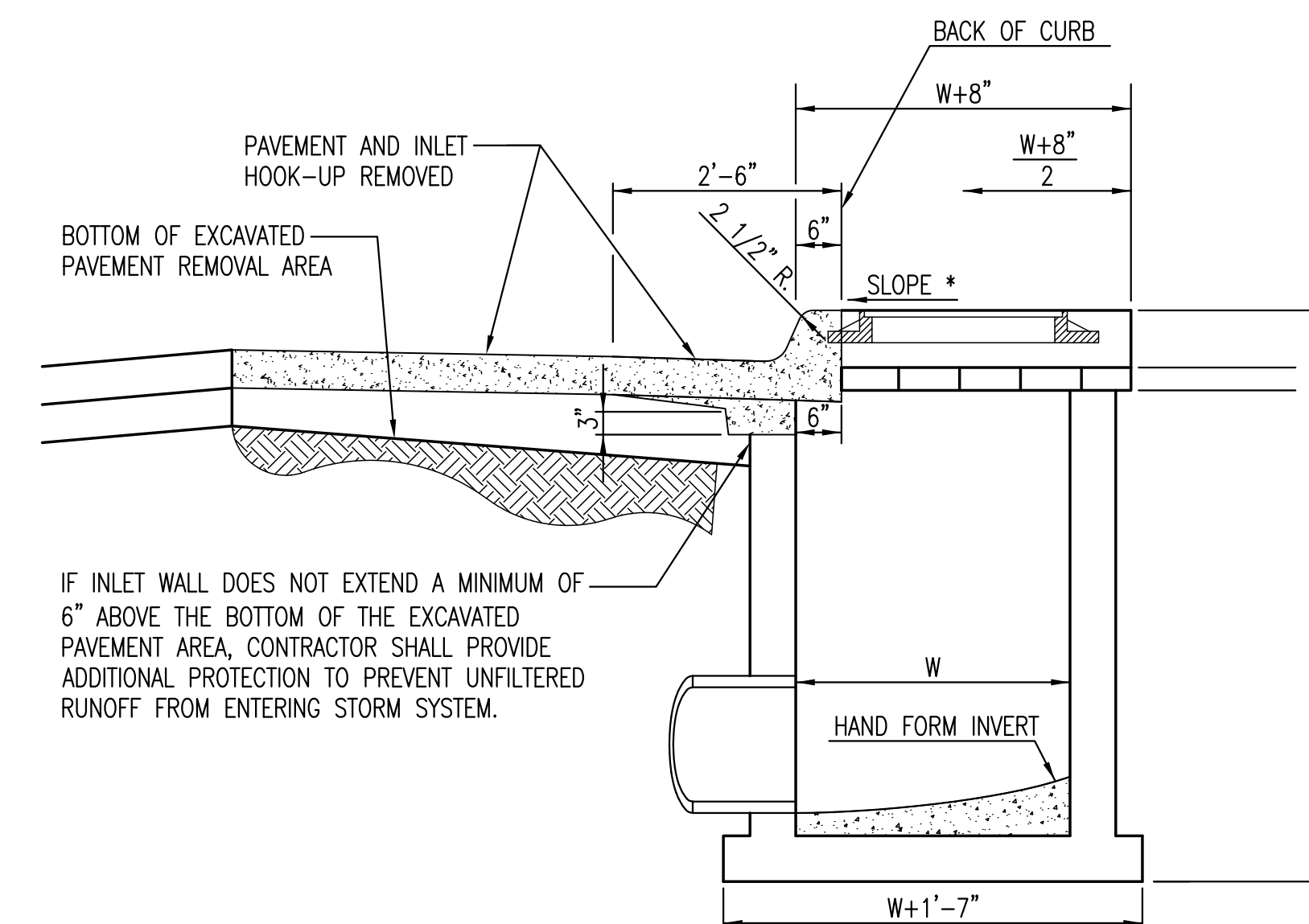
**STOCKPILED EXCAVATION PROTECTION**  
NOT TO SCALE



INSTALL SILT BARRIER ACROSS FLOW ESCAPE POINTS WITHIN THE AREA OF REMOVED PAVEMENT TO PREVENT UNFILTERED RUNOFF ESCAPING SUMP



**SECTION A-A**  
**SILT BARRIER AT LOW POINTS**  
NOT TO SCALE



IF INLET WALL DOES NOT EXTEND A MINIMUM OF 6" ABOVE THE BOTTOM OF THE EXCAVATED PAVEMENT AREA, CONTRACTOR SHALL PROVIDE ADDITIONAL PROTECTION TO PREVENT UNFILTERED RUNOFF FROM ENTERING STORM SYSTEM.

**INLET PROTECTION**  
NOT TO SCALE

NOTES:  
\* SLOPE OF INLET TOP TO MATCH SIDEWALK OR PARKING SLOPES WITHIN LIMITS INDICATED.

**NOTES:**

THIS PROJECT WILL DISTURB 1.5 ACRES.  
REFER TO CITY OF WICHITA STANDARDS FOR BMP INSTALLATION, INSPECTION AND MAINTENANCE DETAILS AND SPECIFICATIONS.  
COST FOR EACH EROSION AND SEDIMENT CONTROL ITEM SHALL INCLUDE MAINTENANCE, INSPECTION AND EVENTUAL REMOVAL. BESIDES KEEPING EACH DEVICE IN WORKING ORDER, MAINTENANCE SHALL INCLUDE, AT A MINIMUM, SEDIMENT REMOVAL BEFORE 50% OF THE DEVICE'S CAPACITY IS REACHED.

CONTRACTOR SHALL ADJUST EROSION AND SEDIMENT CONTROL PLANS TO CONFORM TO ACTUAL CONSTRUCTION OPERATIONS. ALL CHANGES TO PLAN SHALL BE APPROVED BY THE CITY.

SMALL AND INTERIM STOCK PILES NOT IMMEDIATELY HAULED OFF-SITE SHOULD BE ENCLOSED AND PROTECTED WITH SILT BARRIER AROUND THE ENTIRE CIRCUMFERENCE OF THE STOCK PILE. INSTALLING AND MAINTAINING THIS FENCE SHALL BE CONSIDERED SUBSIDIARY TO THE BID ITEM "EROSION CONTROL BMP (SILT BARRIER)".

**LEGEND**

- SB** SILT BARRIER
- BC** BACK OF CURB PROTECTION
- IP** CURB INLET PROTECTION
- PROPOSED PAVEMENT REMOVAL & REPLACEMENT

EROSION CONTROL BMP SUMMARY		
ITEMS	QUANTITY	UNIT
BMP, Back of Curb Protection	2,153	L.F.
BMP, Curb Inlet Protection	2	Each
BMP, Silt Fence	184	L.F.

©2015 MKEC Engineering All Rights Reserved www.mkec.com  
These drawings and their contents, including, but not limited to, all concepts, designs, & ideas are the exclusive property of MKEC Engineering (MKEC), and may not be used or reproduced in any way without the express consent of MKEC.

**EROSION CONTROL PLAN**

PROJECT NO.	468-85021	
DATE	MARCH 2015	
SCALE	AS SHOWN	
DESIGNED	DRAWN	CHECKED
JRA	LES	JRA

NO.	REVISION	DATE
SHEET NO.		