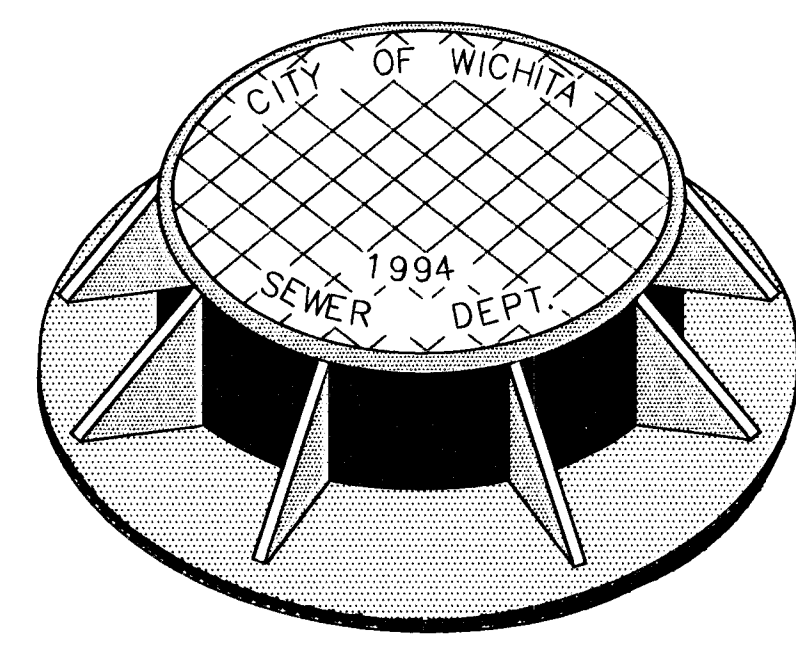
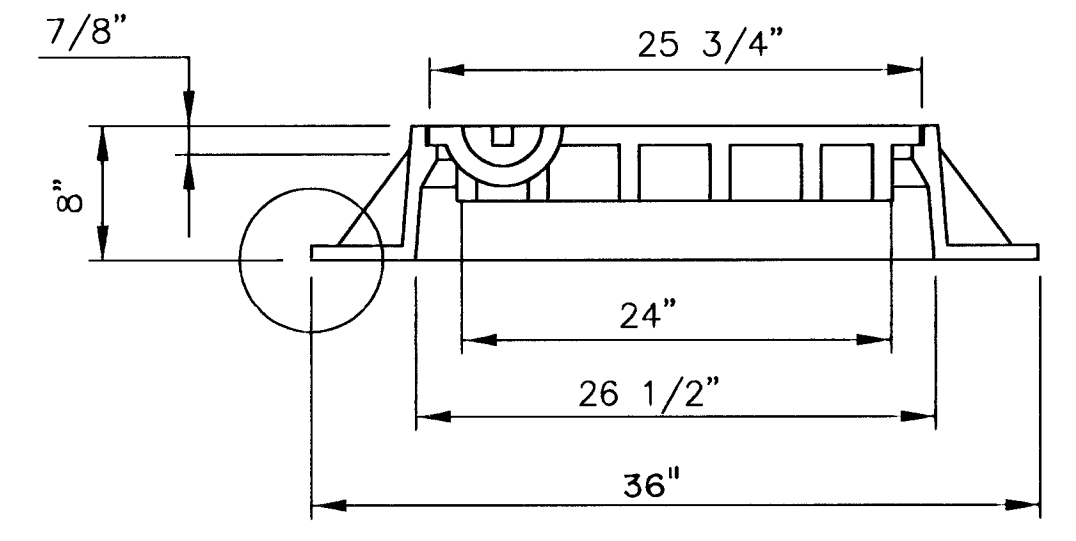


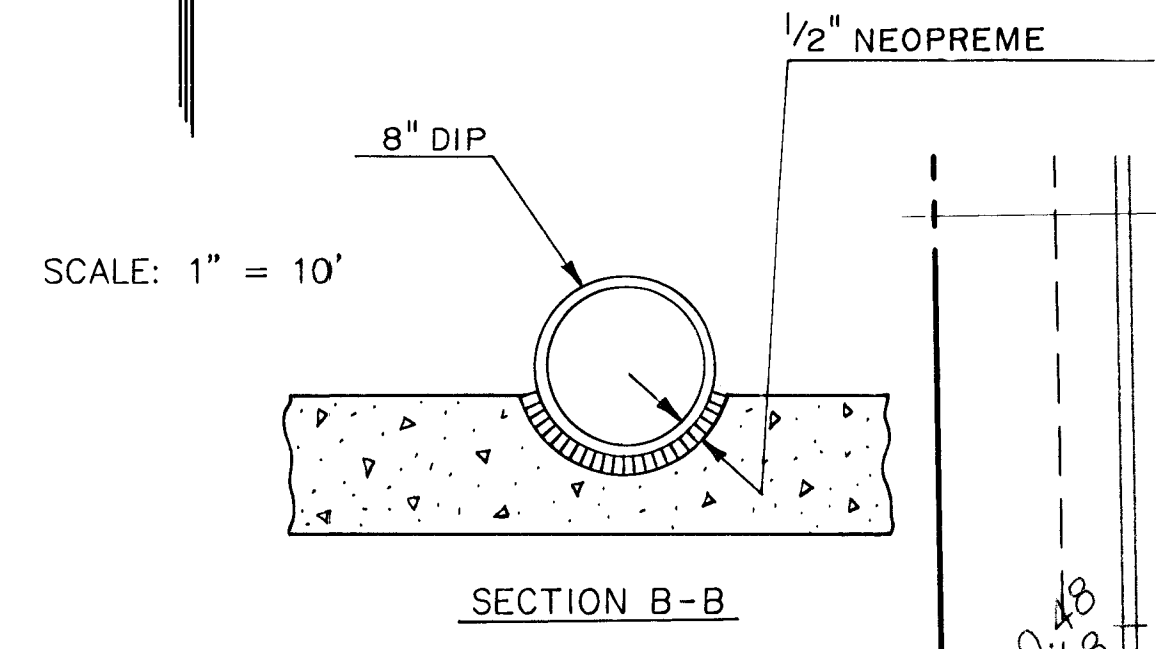
FHWA REG. NO.	STATE	PROJECT NO.	YEAR	SHEET NO.	SHEETS
7	KANSAS	54-87 K-4445-01	1996	9	73

**HEAVY DUTY**  
TOTAL WR. 705#  
1. FURNISHED WITH MACHINED HORIZONTAL BEARING SURFACES.  
2. FURNISHED STANDARD WITH LETTERING AS ILLUSTRATED.

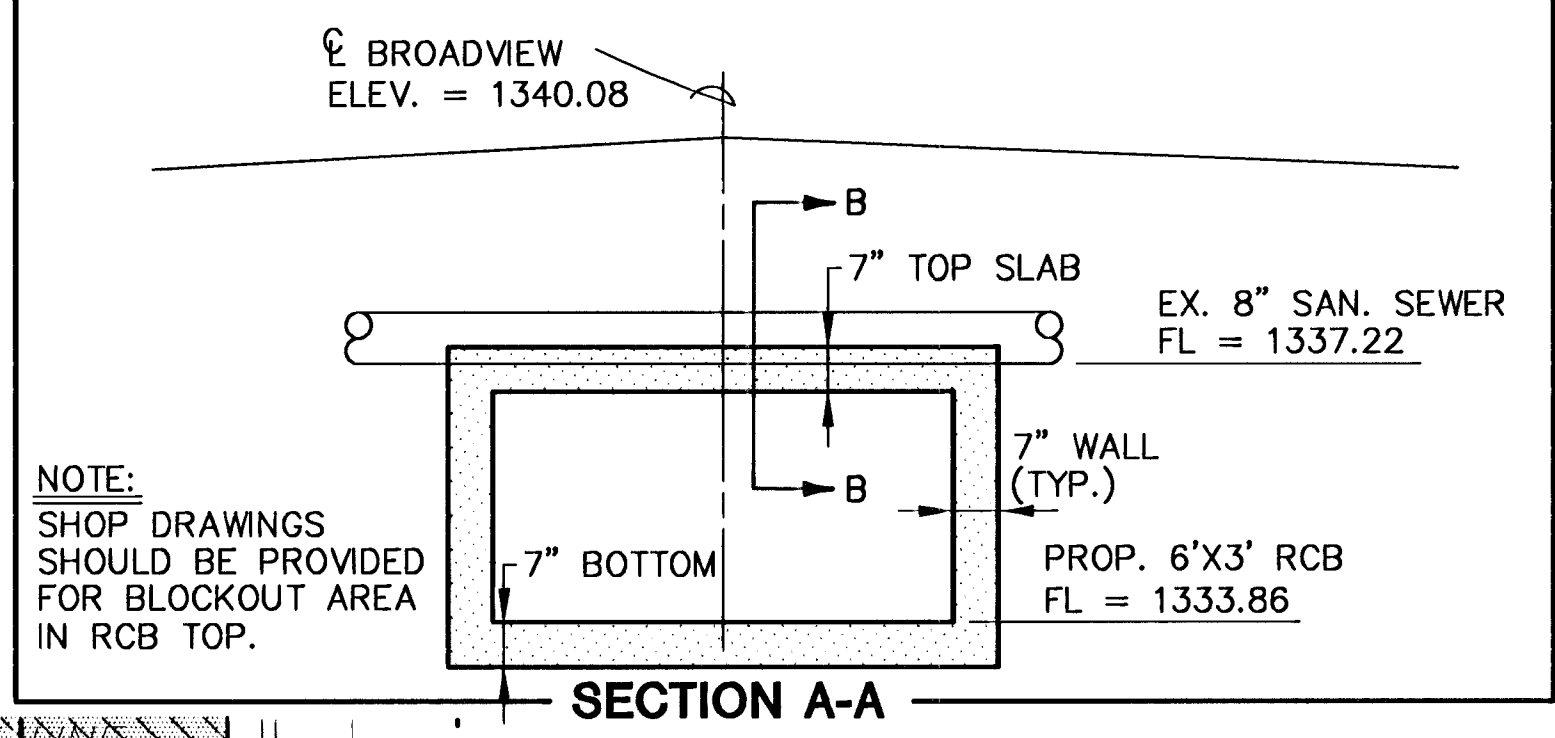


**DEETER FOUNDRY INC.**  
**1261-A MANHOLE RING & SOLID COVER**

**LEGEND**  
 = PAVEMENT TO BE REMOVED  
 = ASPHALTIC CONCRETE PAVEMENT  
 S.C. = SAW CUT (FULL DEPTH)  
 V.G. = VALLEY GUTTER



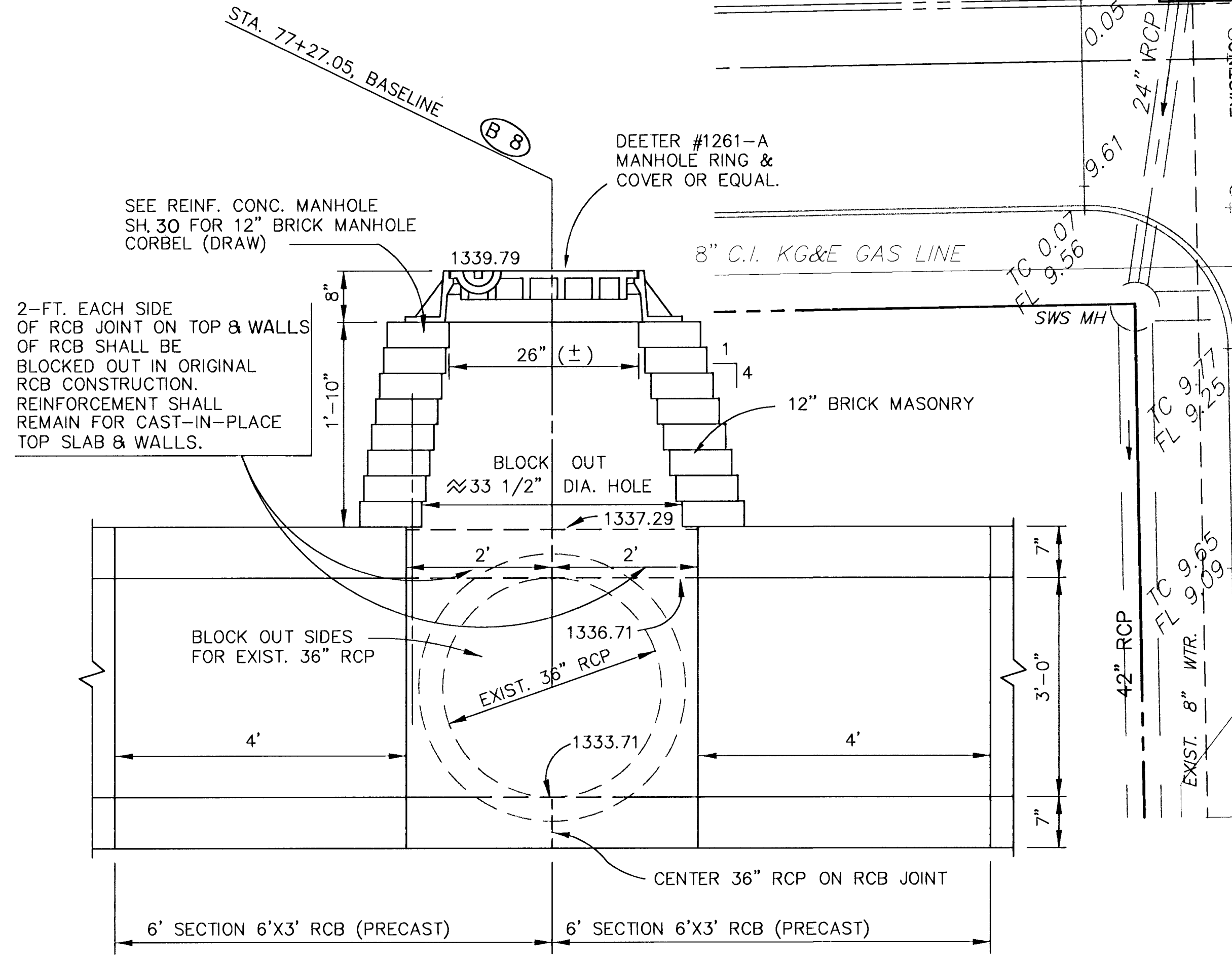
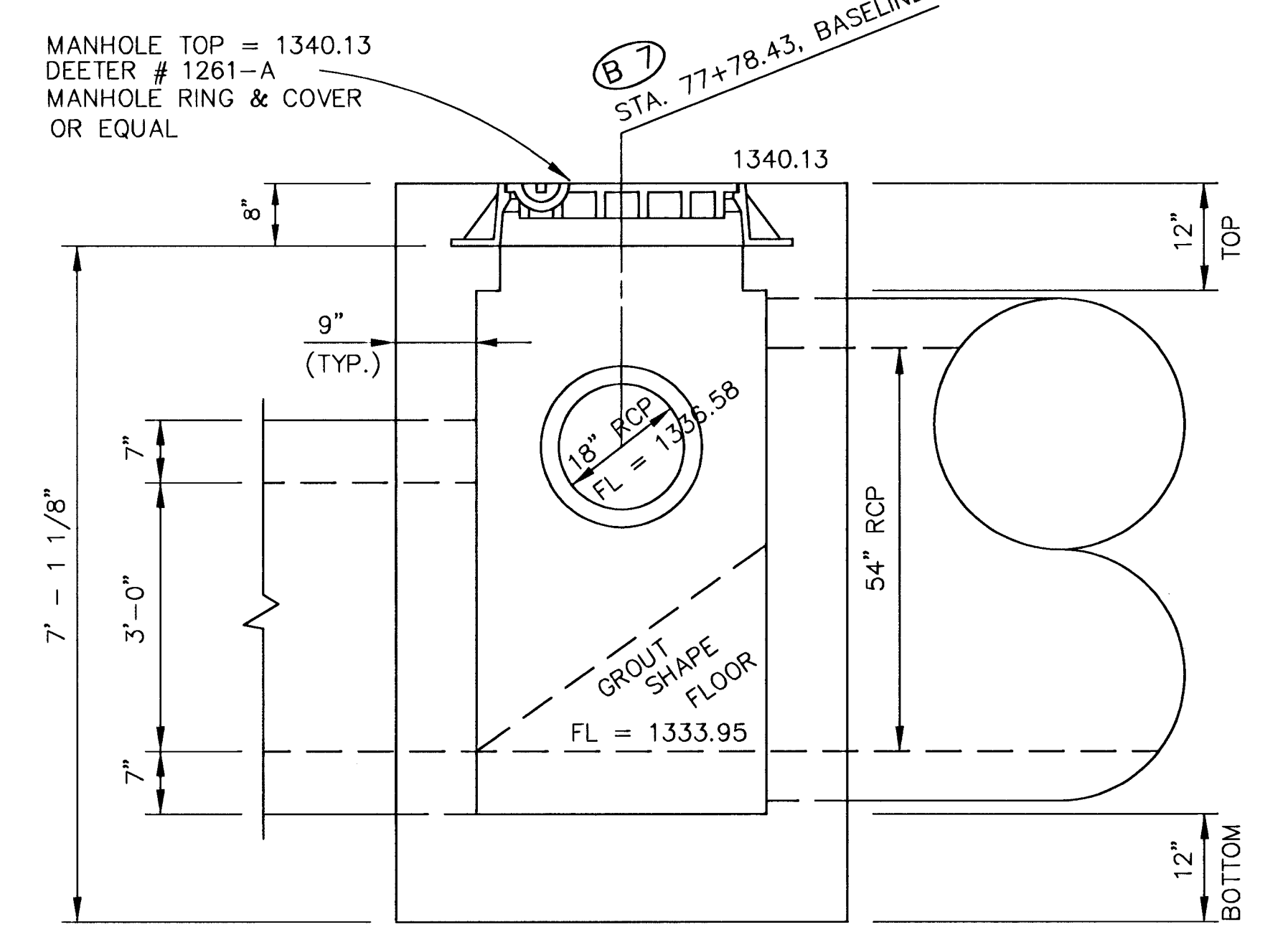
REPLACE 20 L.F. 8" V.C.P. SANITARY SEWER WITH 8" D.I.P. AT SAME ELEVATION AND LOCATION. INSTALL 8" D.I.P. SANITARY SEWER THRU TOP SLAB OF 6'X3' RCB. JOINT AT EACH END OF 8" REPLACEMENT D.I.P. SEWER SHALL HAVE CONCRETE COLLAR CONNECTION. (COLLAR TO BE SUBSIDIARY TO COST OF 8" D.I.P.)



NOTE: SHOP DRAWINGS SHOULD BE PROVIDED FOR BLOCKOUT AREA IN RCB TOP.

(B 7)  
STA. 77+78.43, BASELINE  
CONST. REINF. CONC. MANHOLE  
W = 9'-2", L = 5'-0"  
MANHOLE TOP = 1340.13

REMOVE 6' SECTION OF 18" RCP THRU RCB



2'-FT. EACH SIDE OF RCB JOINT ON TOP & WALLS OF RCB SHALL BE BLOCKED OUT IN ORIGINAL RCB CONSTRUCTION. REINFORCEMENT SHALL REMAIN FOR CAST-IN-PLACE TOP SLAB & WALLS.

DEETER #1261-A MANHOLE RING & COVER OR EQUAL.

SEE REINF. CONC. MANHOLE SH. 30 FOR 12" BRICK MANHOLE CORBEL (DRAW)

8" C.I. KG&E GAS LINE

12" BRICK MASONRY

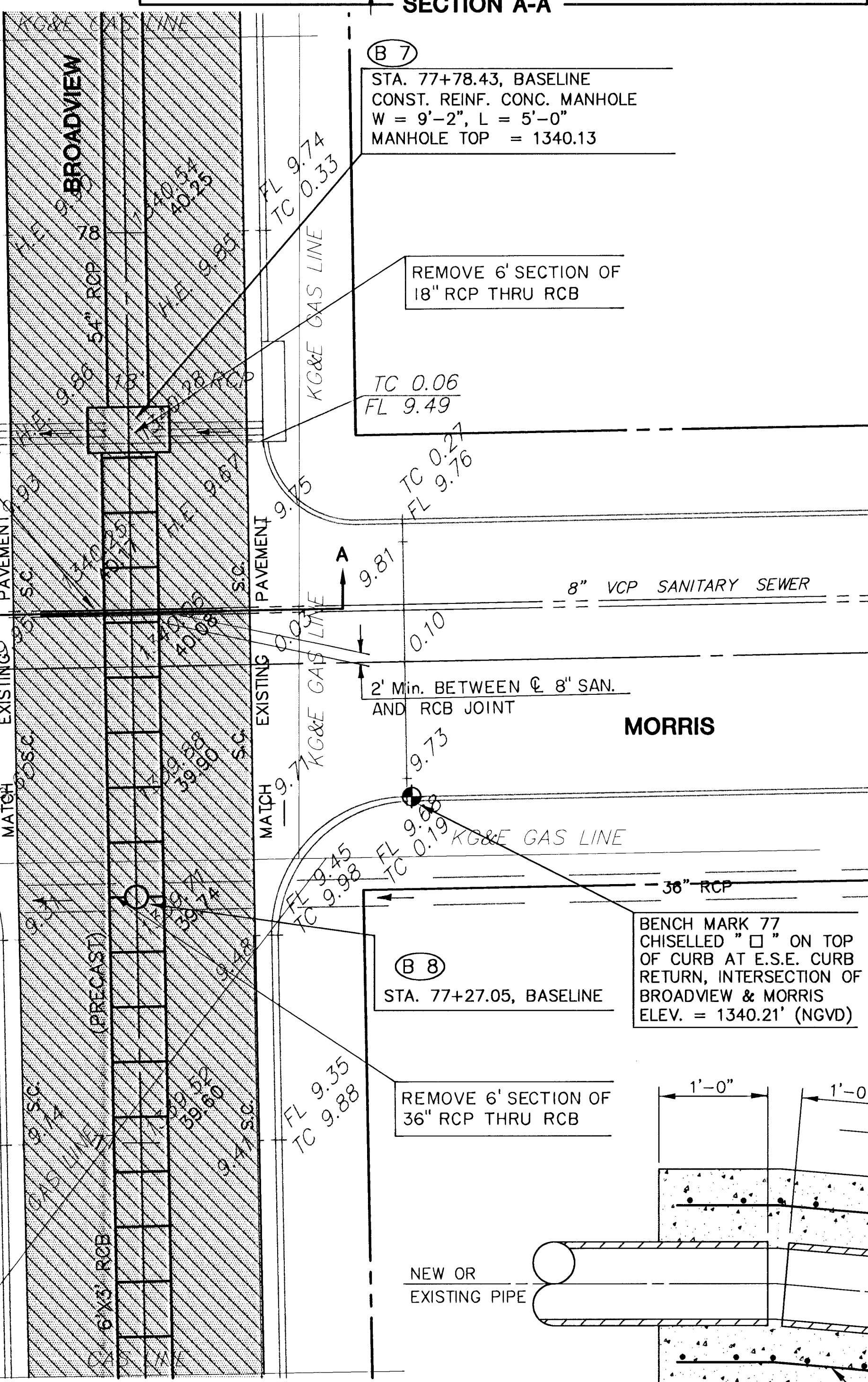
BLOCK OUT SIDES FOR EXIST. 36" RCP

EXIST. 36" RCP

CENTER 36" RCP ON RCB JOINT

6' SECTION 6'X3' RCB (PRECAST)

6' SECTION 6'X3' RCB (PRECAST)



MORRIS

(B 8)  
STA. 77+27.05, BASELINE

REMOVE 6' SECTION OF 36" RCP THRU RCB

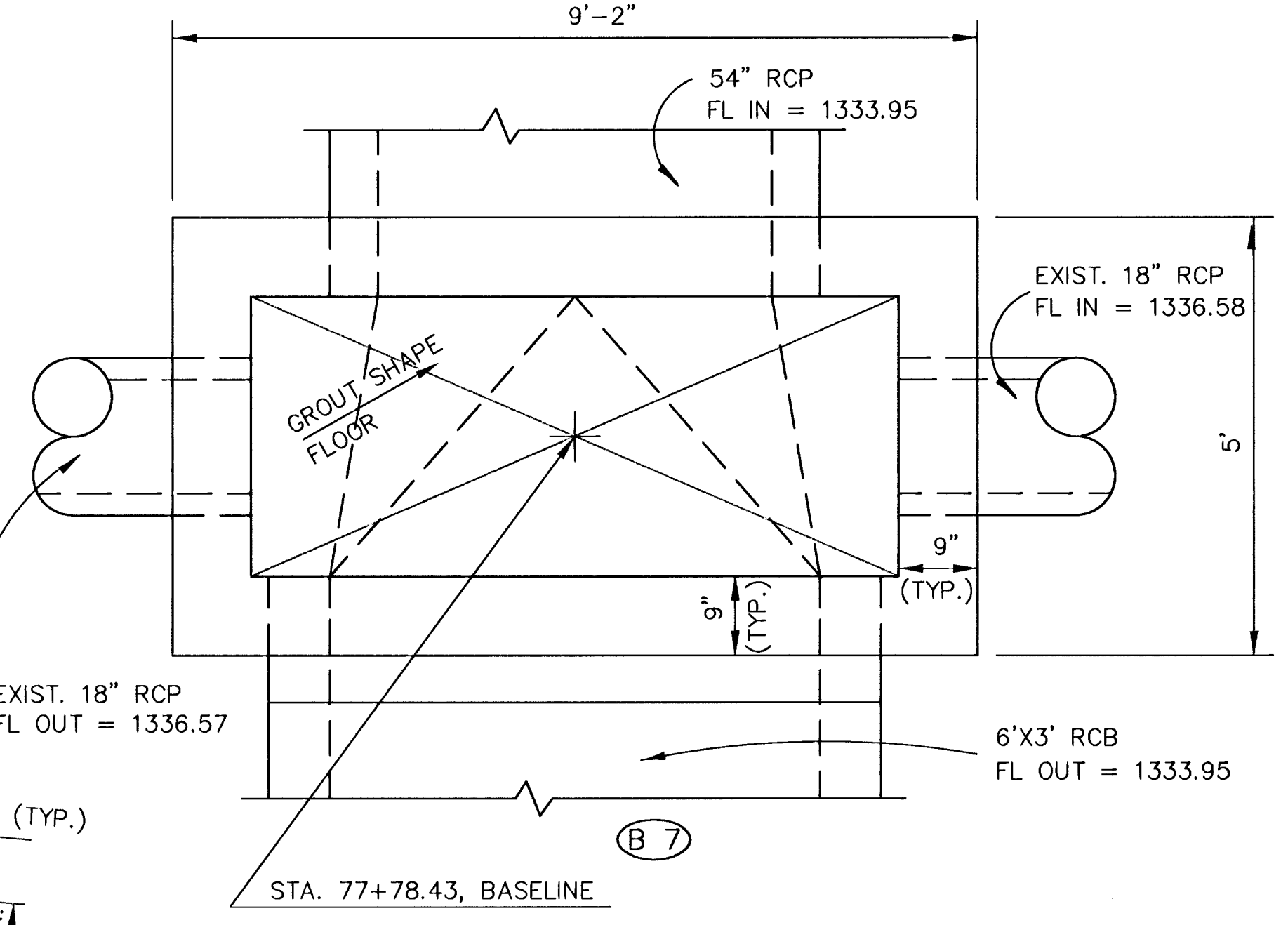
BENCH MARK 77 CHISELLED "□" ON TOP OF CURB AT E.S.E. CURB RETURN, INTERSECTION OF BROADVIEW & MORRIS ELEV. = 1340.21' (NGVD)

NEW OR EXISTING PIPE

NEW OR EXISTING PIPE

WELDED WIRE MESH AS APPROVED BY ENGINEER

**CONCRETE PIPE COLLAR**



STA. 77+78.43, BASELINE

NO.	DATE	REVISIONS	BY	APP'D
3				
2				
1				

CITY OF WICHITA

**BLUFF AREA OUTFALL**  
**MORRIS & BROADVIEW**  
**INTERSECTION**

SHEET NO.	OF	SCALE	1" = 10'	APP'D
DESIGNED	JNJ	DETAILED	DLM	QUANTITIES
DESIGN CK.	JNJ	DETAIL CK.	JNJ	QUAN. CK.
				MKEC
				TRACED
				MKEC
				TRACE CK.
				MKEC