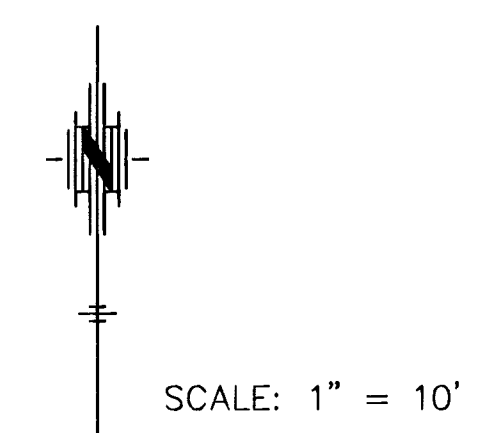
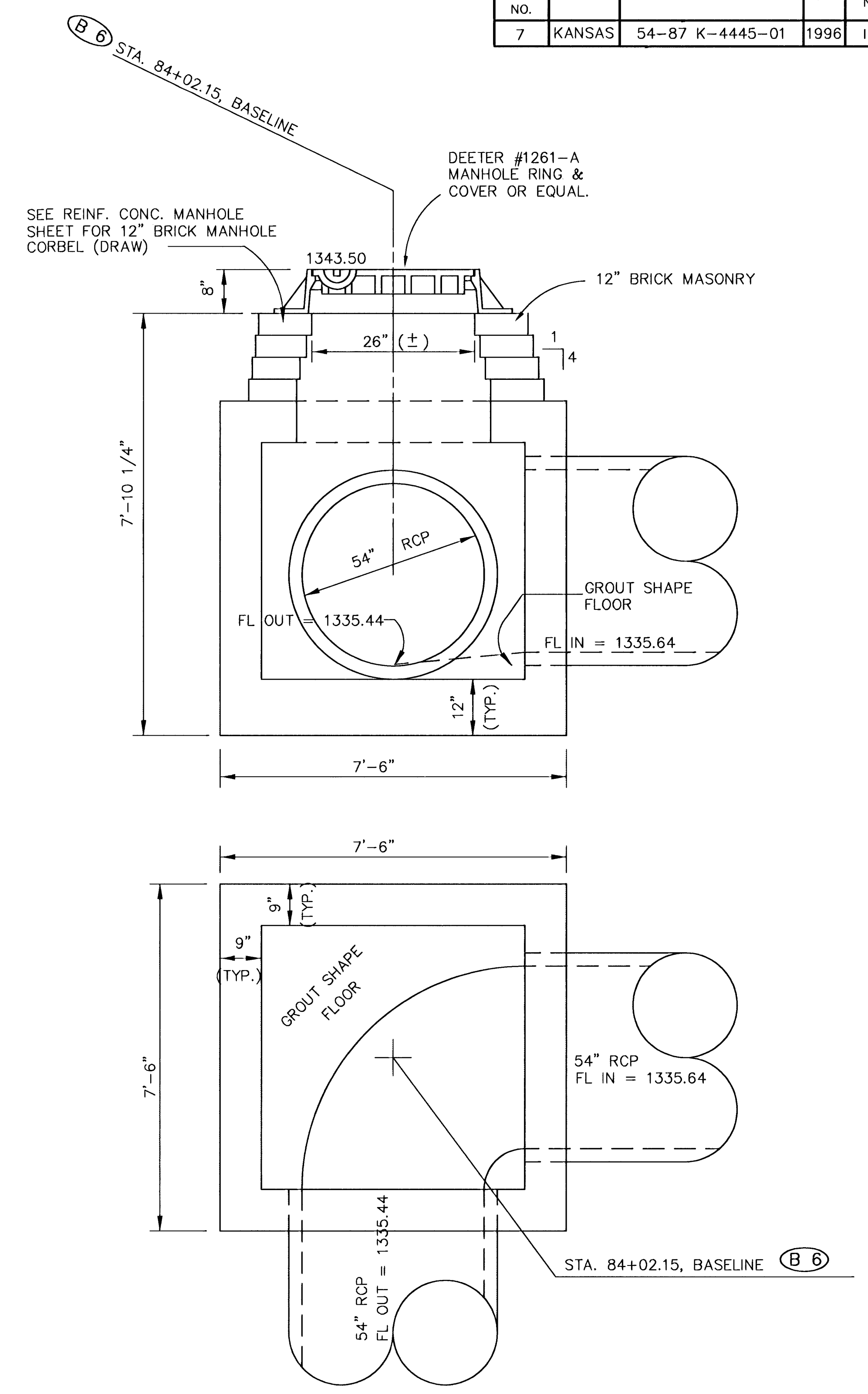
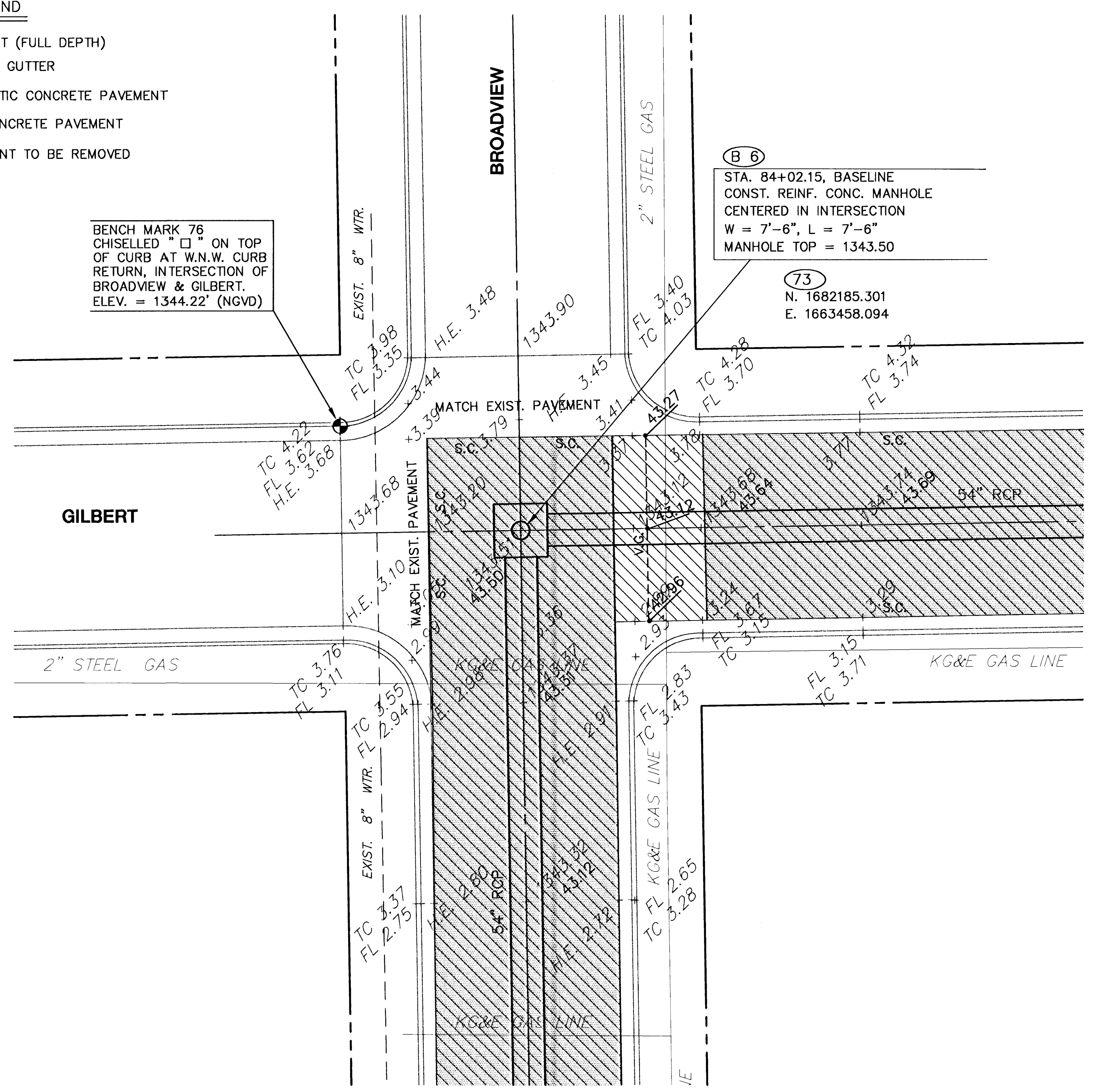


FHWA REG. NO.	STATE	PROJECT NO.	YEAR	SHEET NO.	SHEETS
7	KANSAS	54-87 K-4445-01	1996	11	73



- LEGEND**
- S.C. = SAW CUT (FULL DEPTH)
  - V.G. = VALLEY GUTTER
  - [Hatched pattern] = ASPHALTIC CONCRETE PAVEMENT
  - [White box] = P.C. CONCRETE PAVEMENT
  - [Diagonal lines] = PAVEMENT TO BE REMOVED



3					
2					
1					
NO.	DATE	REVISIONS	BY	APP'D	
CITY OF WICHITA					
<b>BLUFF AREA OUTFALL GILLBERT &amp; BROADVIEW INTERSECTION</b>					
SHEET NO.	OF	SCALE	1" = 10'	APP'D	
DESIGNED	JNJ	DETAILED	MKEC	QUANTITIES	MKEC
DESIGN CK.	JNJ	DETAIL CK.	MKEC	QUAN. CK.	MKEC
				TRACED	MKEC
				TRACE CK.	MKEC