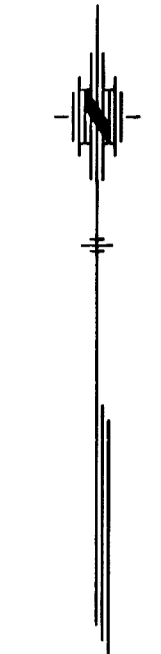


FHWA REG. NO.	STATE	PROJECT NO.	YEAR	SHEET NO.	SHEETS
7	KANSAS	54-87 K-4445-01	1996	13	73



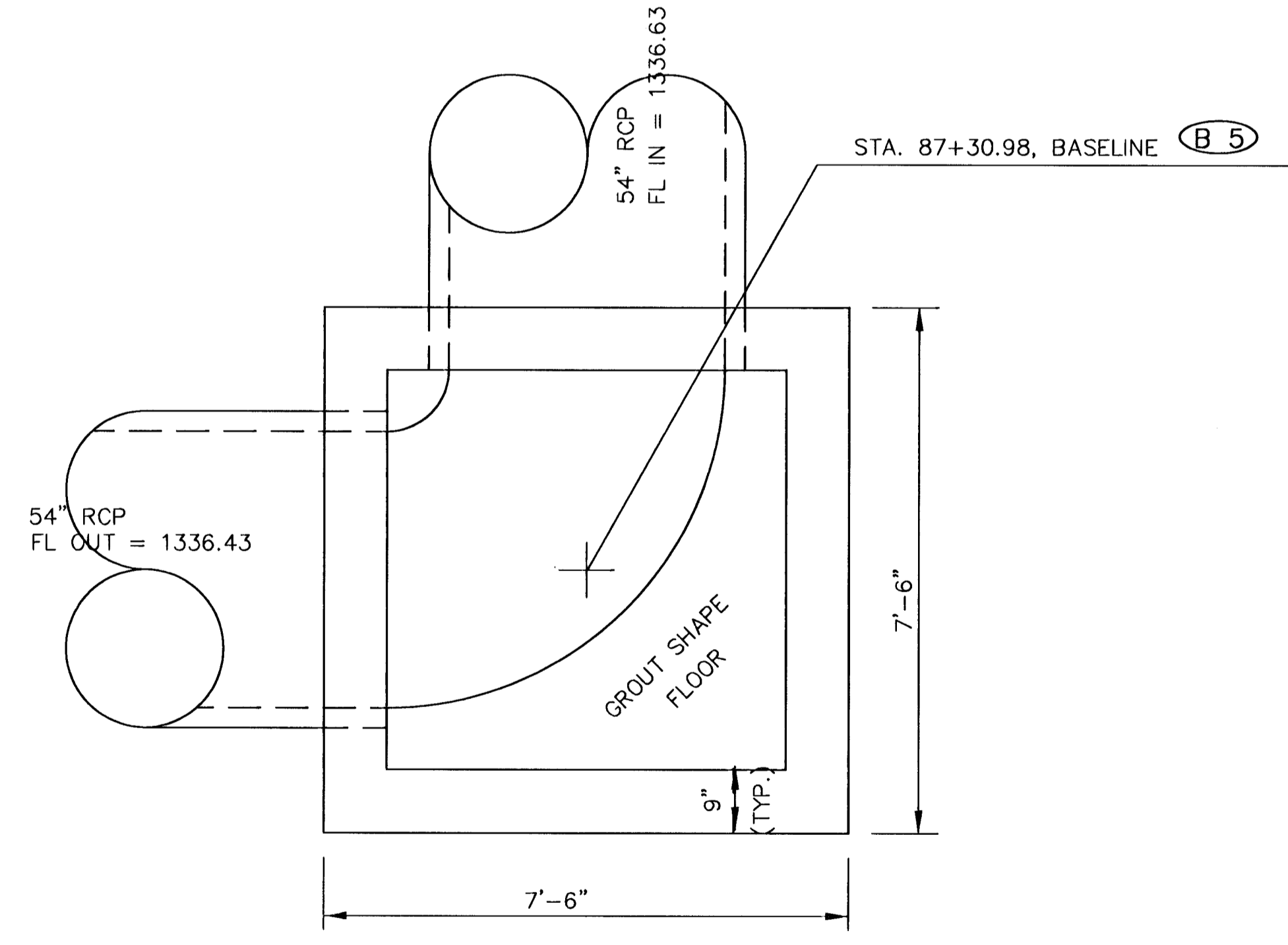
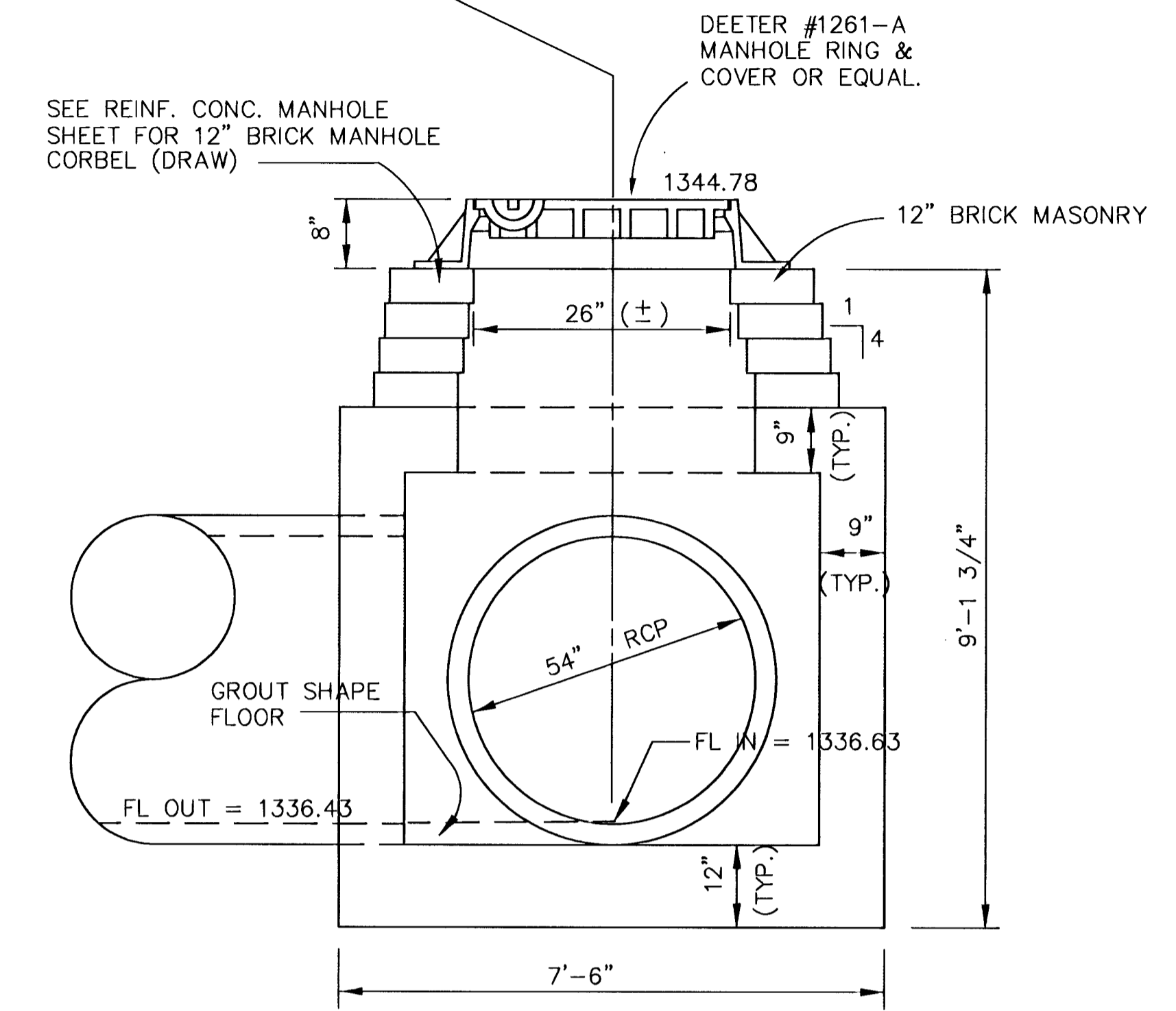
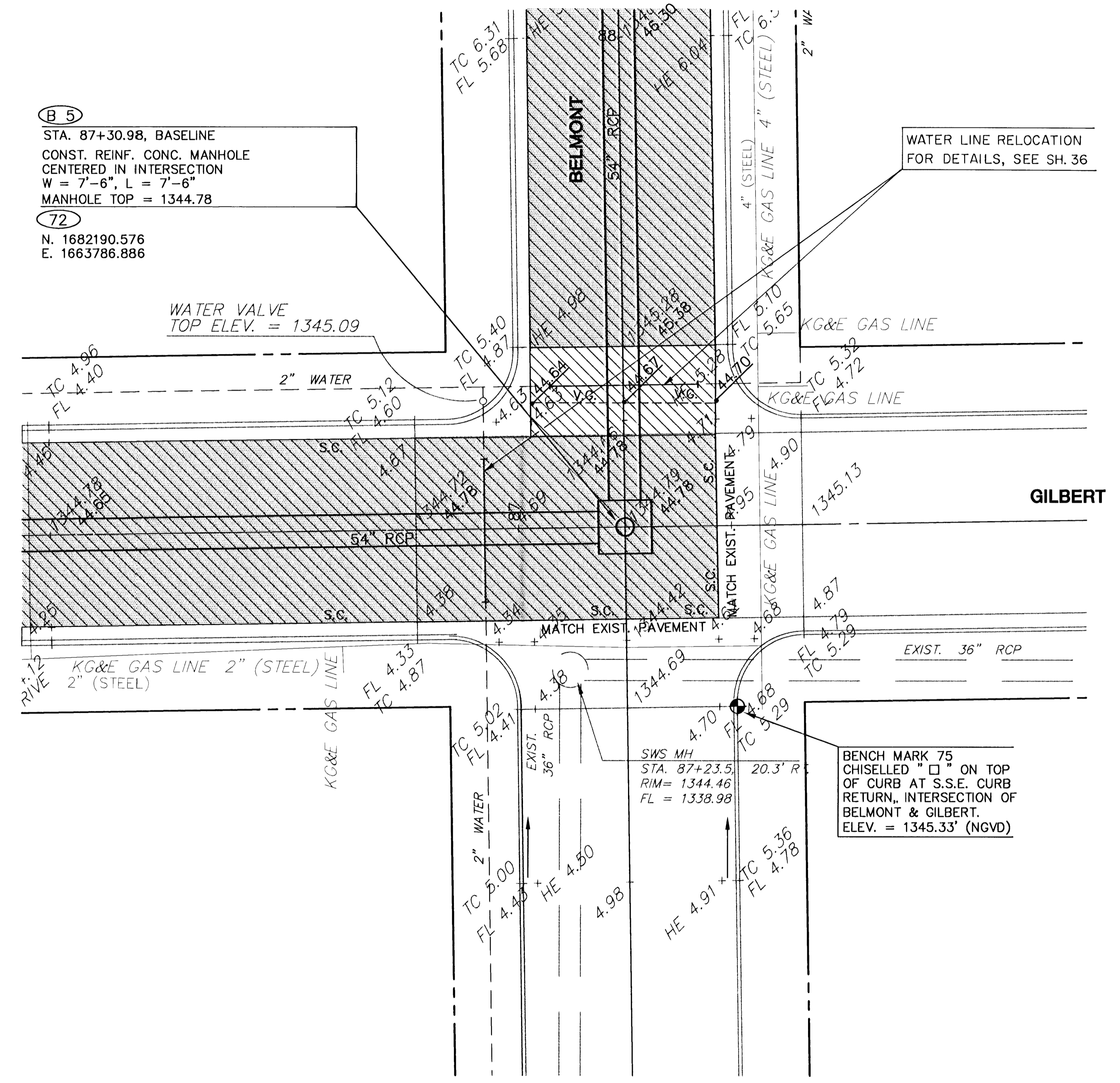
SCALE: 1" = 10'

LEGEND

- = PAVEMENT TO BE REMOVED
- S.C. = SAW CUT (FULL DEPTH)
- V.G. = VALLEY GUTTER
- = ASPHALTIC CONCRETE PAVEMENT
- = P.C. CONCRETE PAVEMENT

(B 5)
 STA. 87+30.98, BASELINE
 CONST. REINF. CONC. MANHOLE
 CENTERED IN INTERSECTION
 W = 7'-6", L = 7'-6"
 MANHOLE TOP = 1344.78

(72)
 N. 1682190.576
 E. 1663786.886



NO.	DATE	REVISIONS	BY	APP'D
3				
2				
1				

CITY OF WICHITA
BLUFF AREA OUTFALL
GILBERT & BELMONT
INTERSECTION

SHEET NO.	OF	SCALE	1" = 10'	APP'D			
DESIGNED	JNJ	DETAILED	DLM	QUANTITIES	MKEC	TRACED	MKEC
DESIGN CK.	JNJ	DETAIL CK.	JNJ	QUAN. CK.	MKEC	TRACE CK.	MKEC