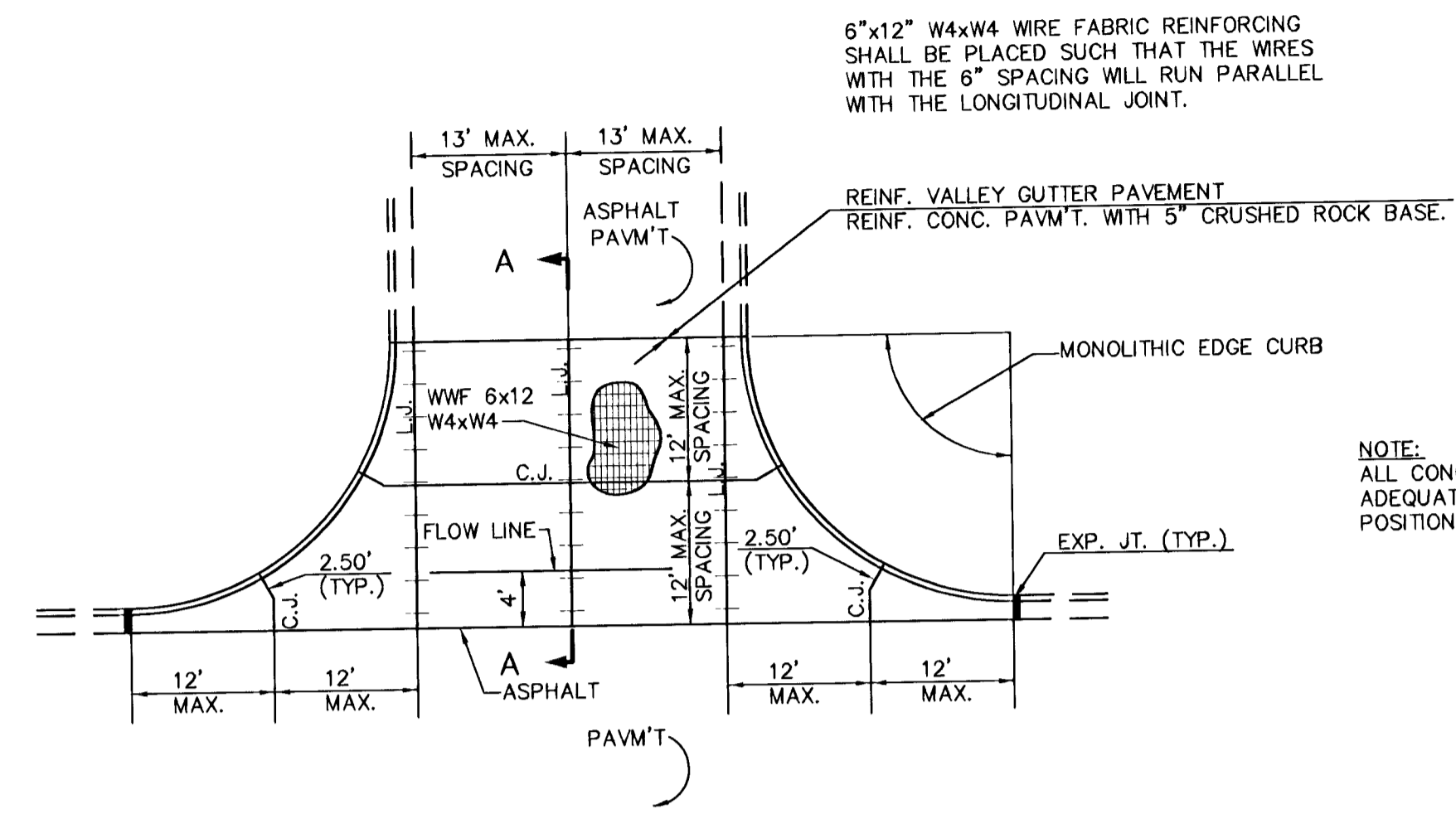
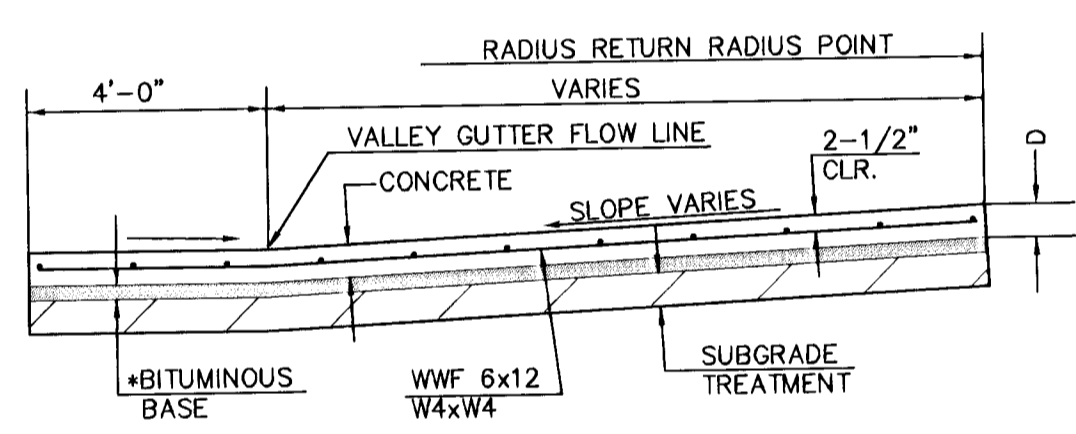
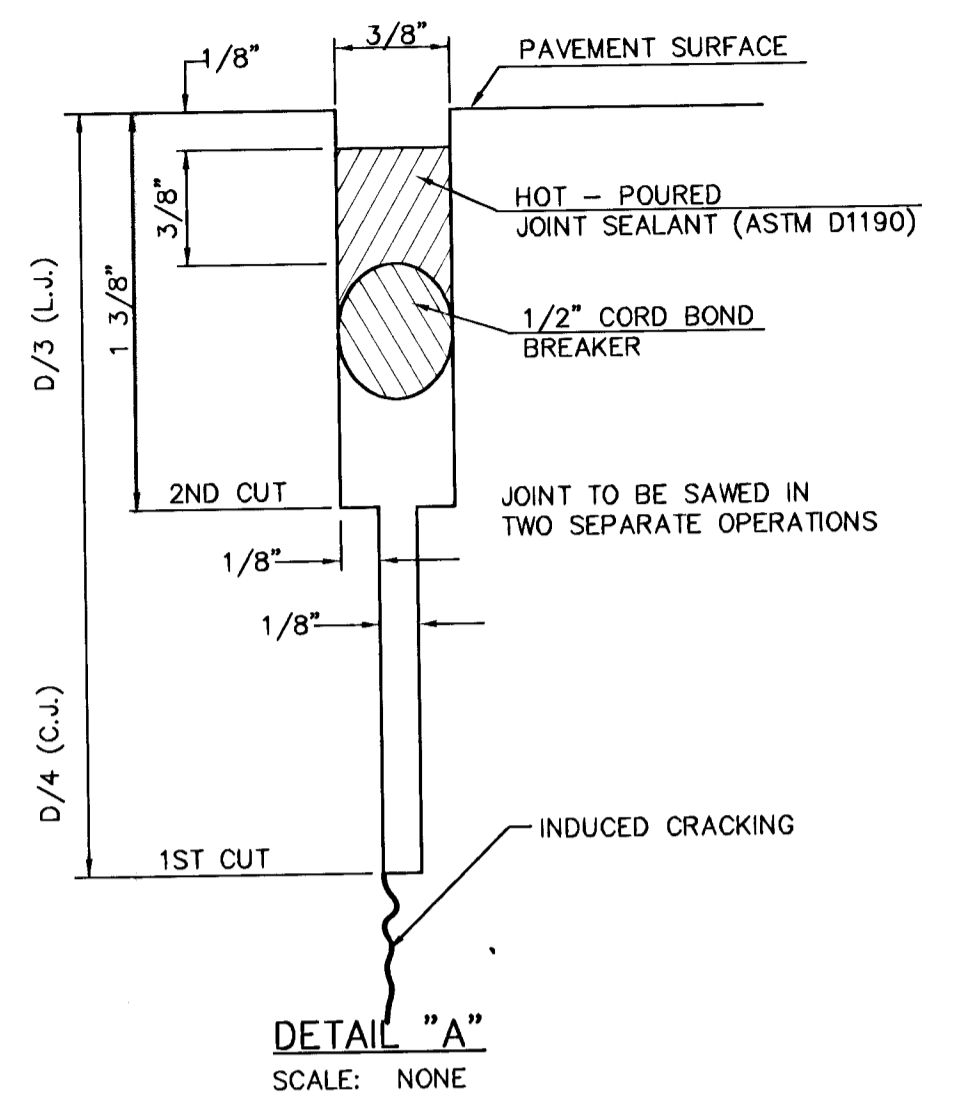


| | | | | | |
|---------------|--------|-----------------|------|-----------|--------|
| FHWA REG. NO. | STATE | PROJECT NO. | YEAR | SHEET NO. | SHEETS |
| 7 | KANSAS | 54-87 K-4445-01 | 1996 | 26 | 73 |

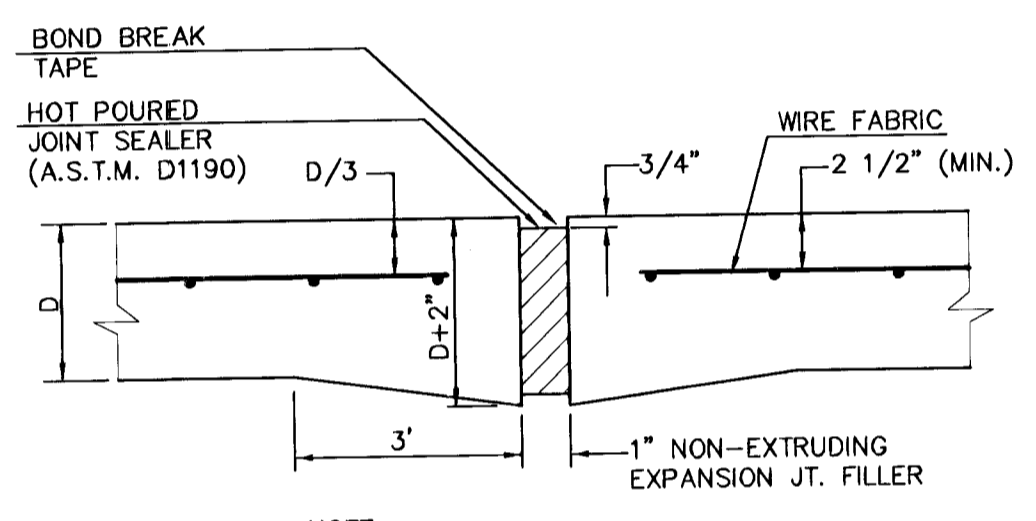


PLAN
REINFORCED VALLEY GUTTER
SCALE: NONE

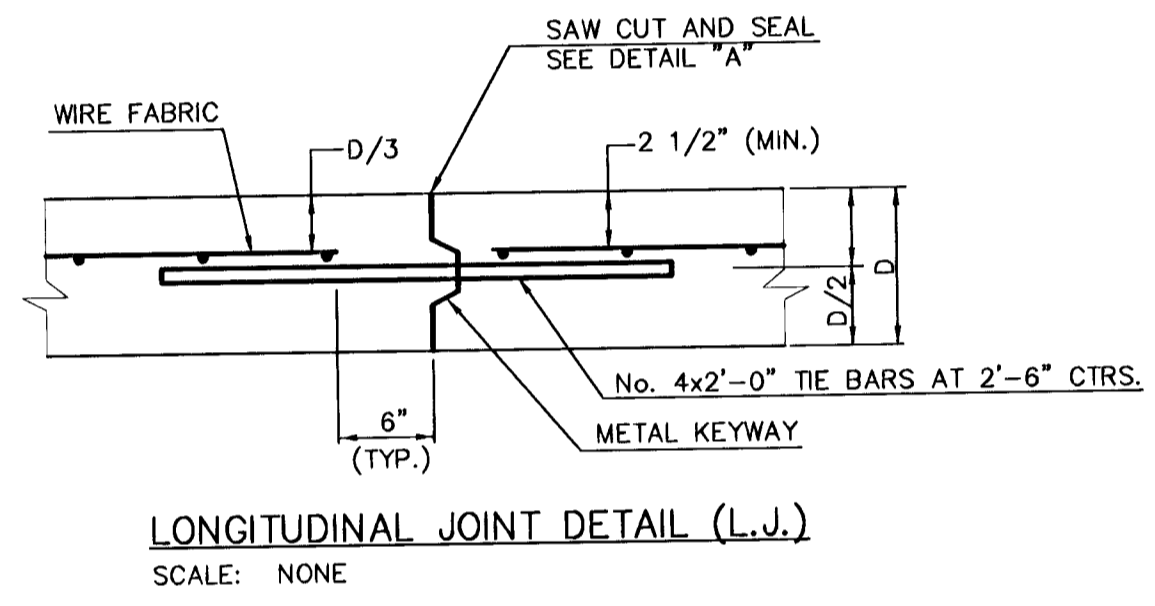
NOTE:
ALL CONCRETE VALLEY GUTTER REINFORCEMENT SHALL BE ADEQUATELY SUPPORTED BY BAR CHAIRS IN THE REQUIRED POSITION UNLESS APPROVED OTHERWISE BY THE ENGINEER.



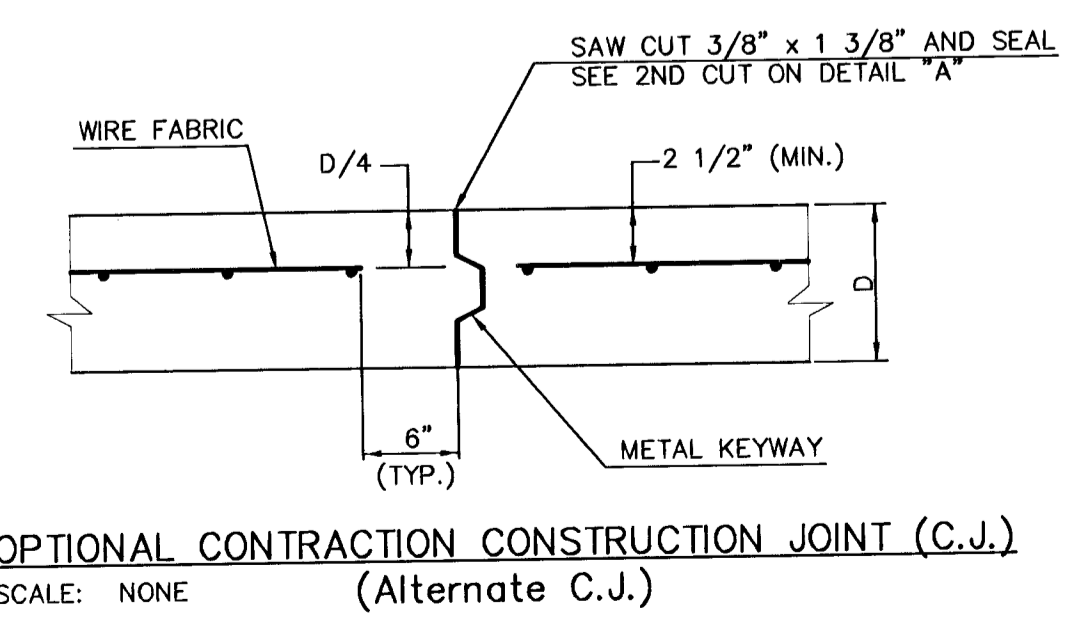
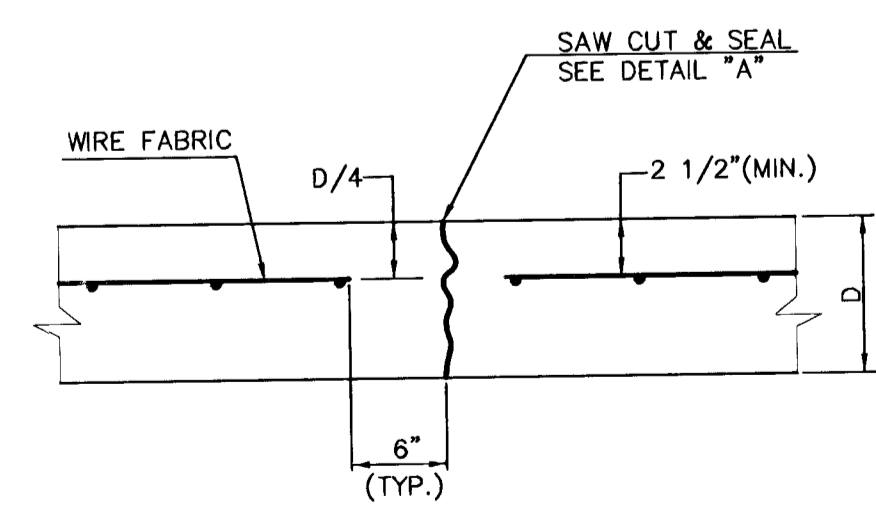
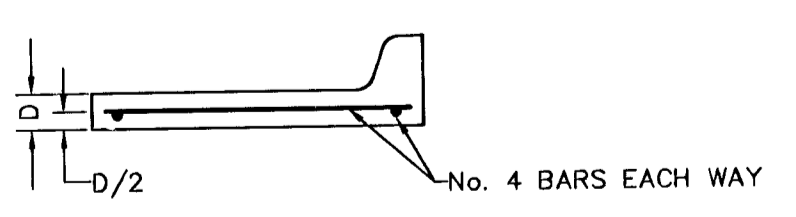
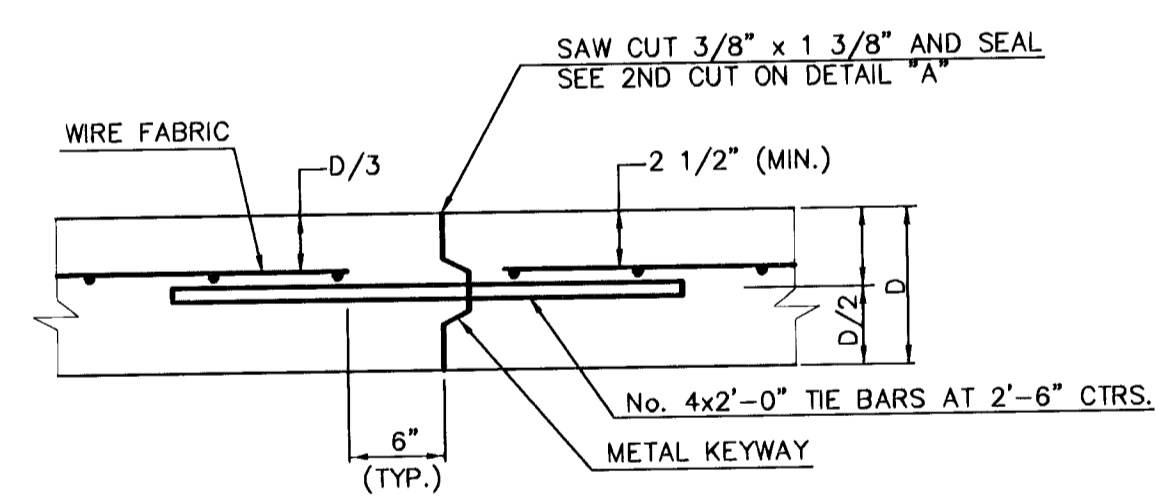
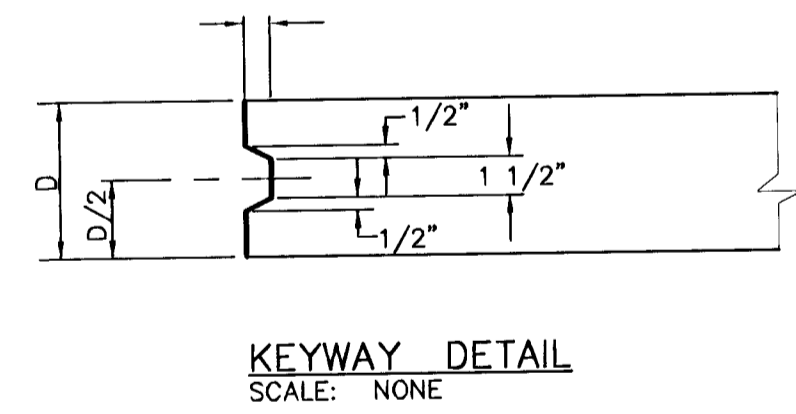
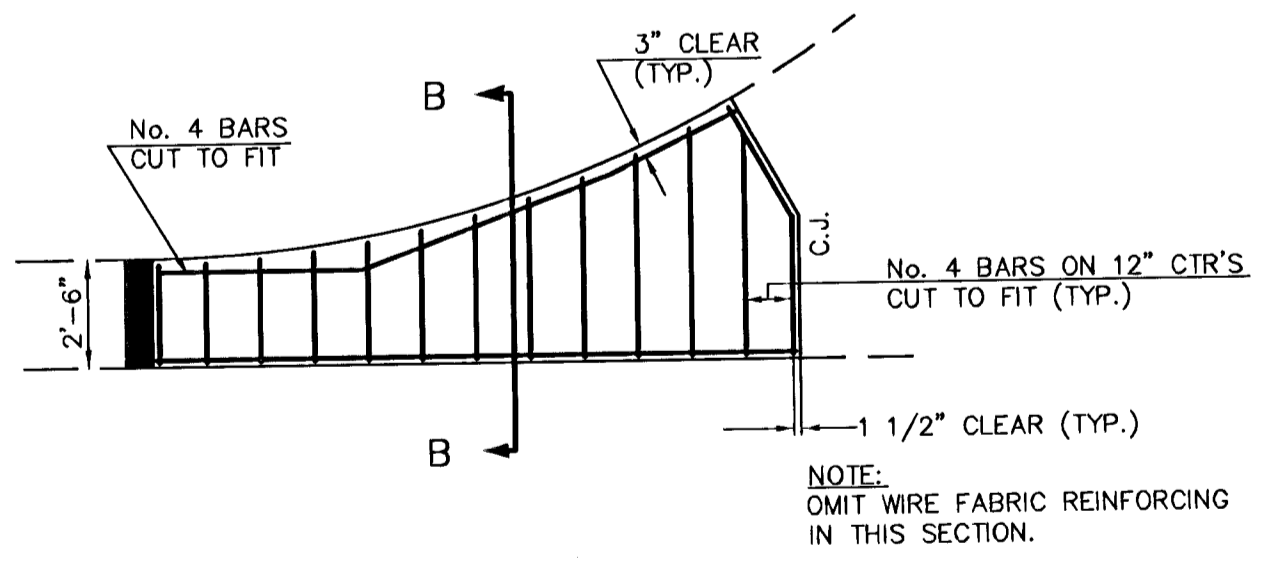
*NOT TO BE USED WITH CRUSHED ROCK BASE



NOTE:
EXTRA THICKNESS TO BE SUBSIDIARY TO PRICE OF SQ. YDS. PAVEMENT.



OPTIONAL LONGITUDINAL CONSTRUCTION JOINT (C.J.)
SCALE: NONE (Alternate C.J.)



LEGEND
C.J. IDENTIFIES CONTRACTION JOINT
L.J. IDENTIFIES LONGITUDINAL JOINT

| 3 | | | | | |
|---|--------|------------|--------|------------|---------------|
| 2 | | | | | |
| 1 | | | | | |
| NO. | DATE | REVISIONS | BY | APP'D | |
| CITY OF WICHITA | | | | | |
| BLUFF AREA OUTFALL STORM SEWER VALLEY GUTTER DETAILS | | | | | |
| SHEET NO. | OF | SCALE | APP'D | | |
| DESIGNED | C.O.W. | DETAILED | C.O.W. | QUANTITIES | C.O.W. TRACED |
| DESIGN CK. | C.O.W. | DETAIL CK. | C.O.W. | QUAN. CK. | C.O.W. |