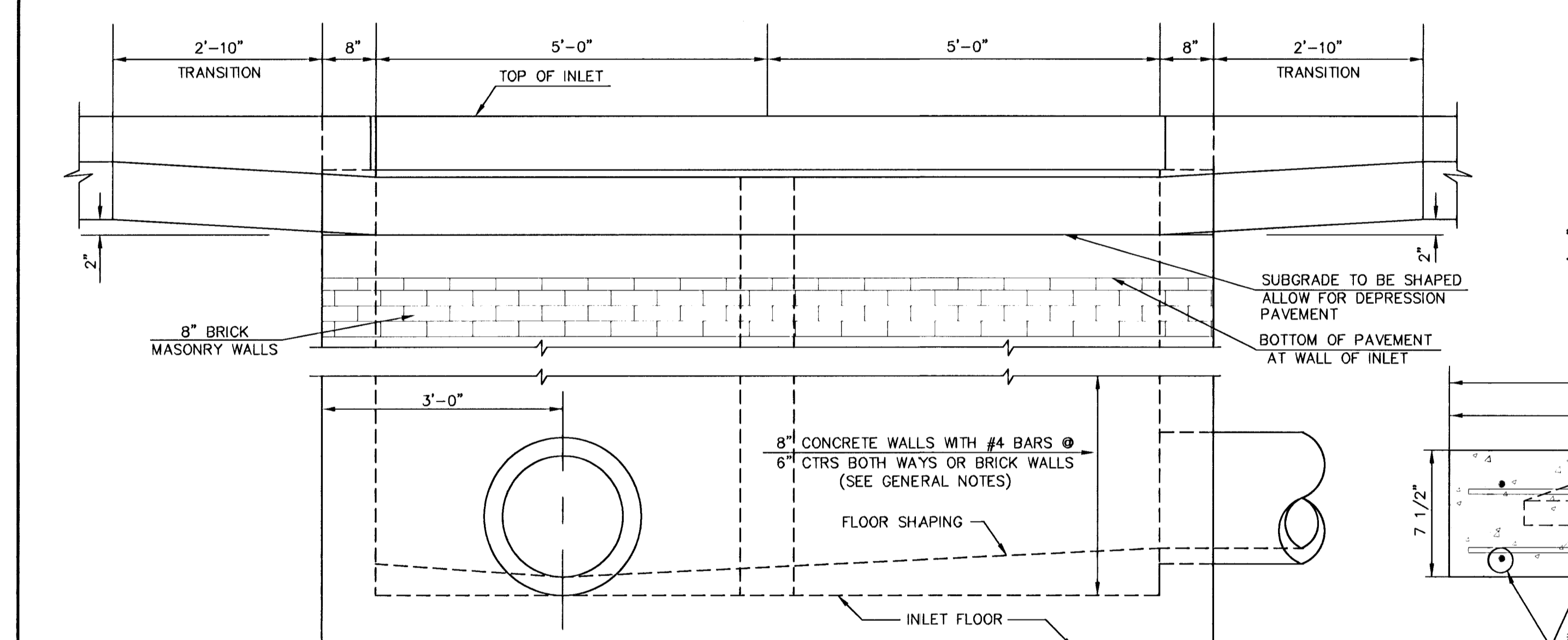
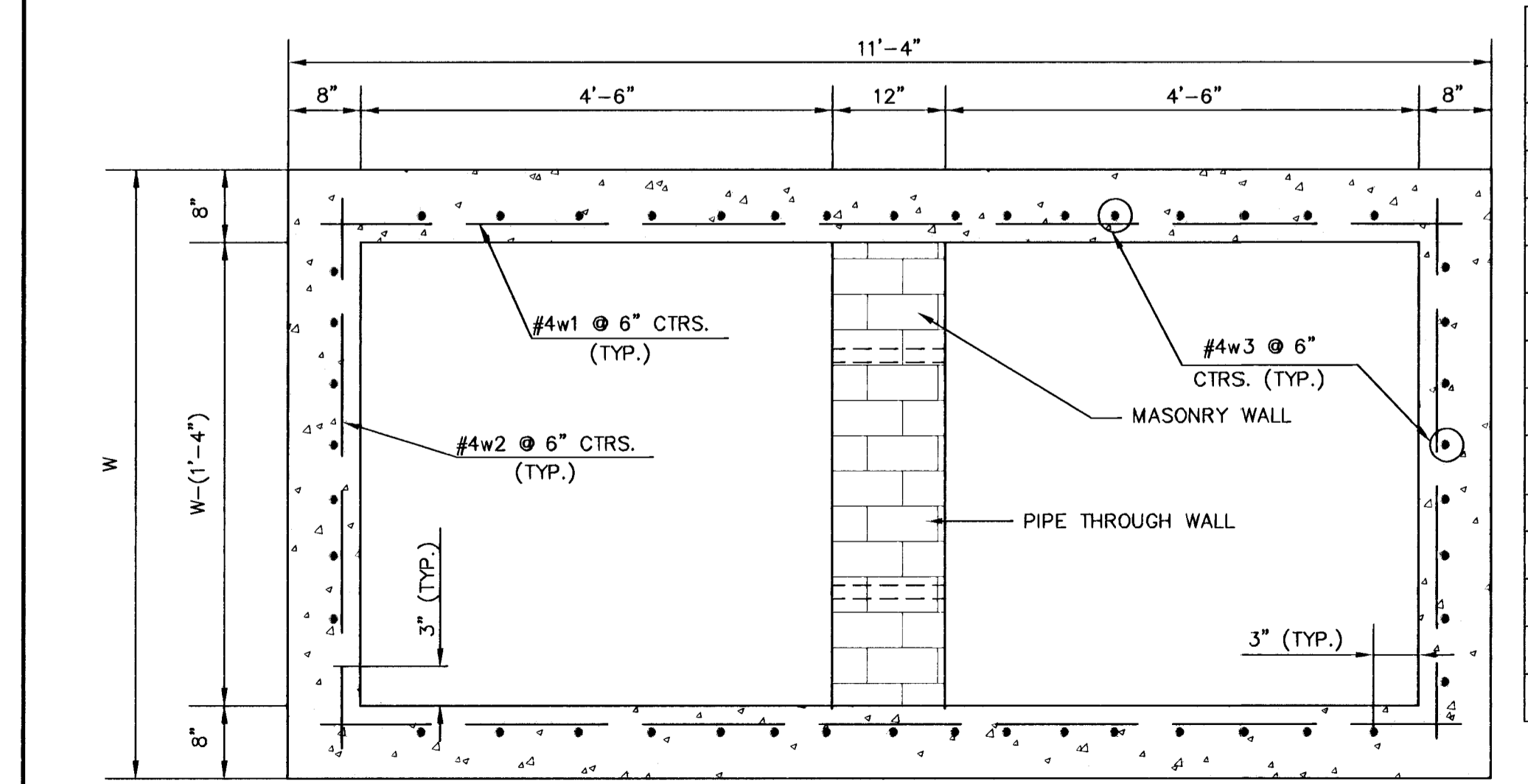


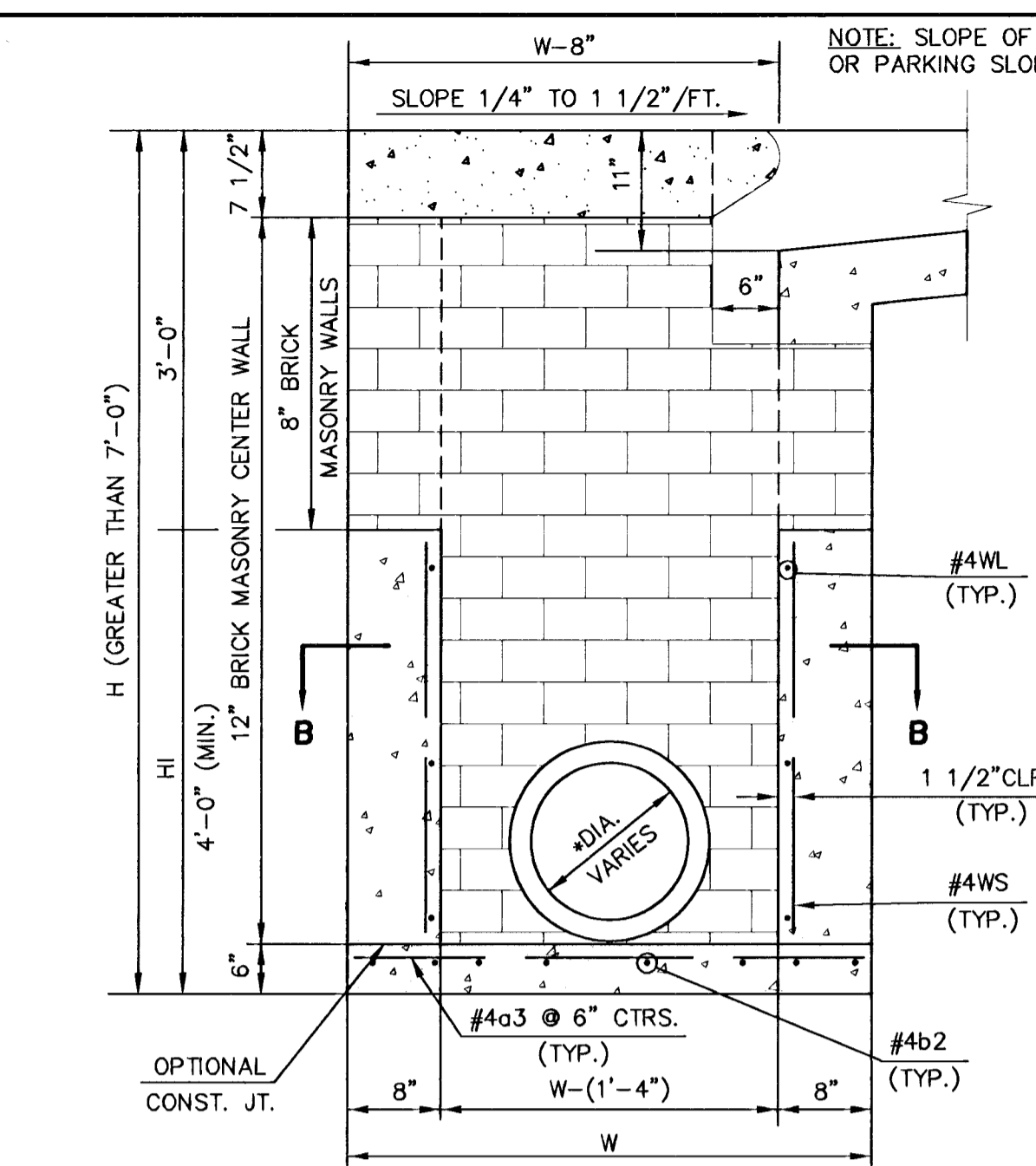
SLAB REINFORCING NOT SHOWN SHOWING SLAB REINFORCING
PLAN



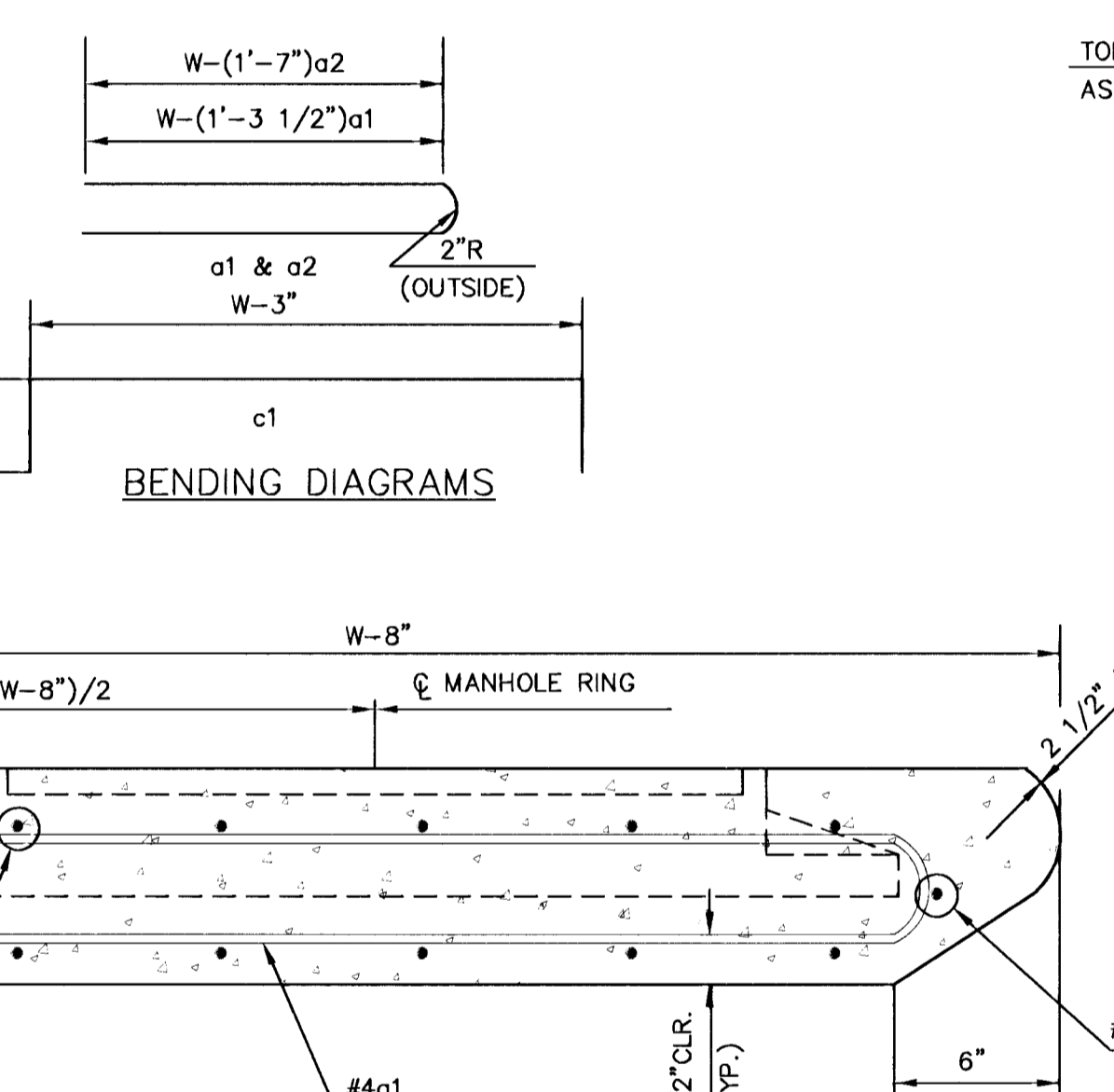
ELEVATION



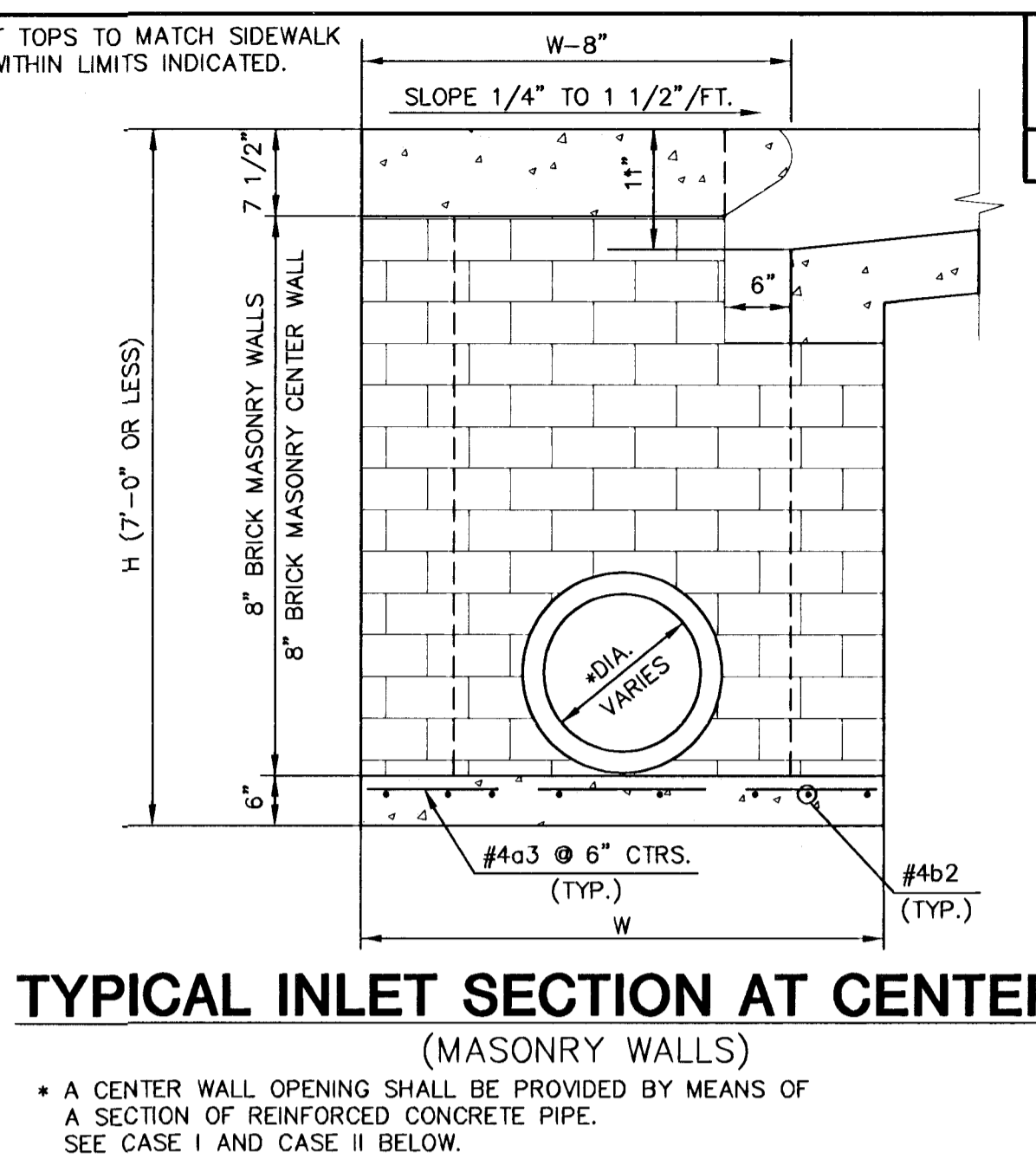
SECTION B-B



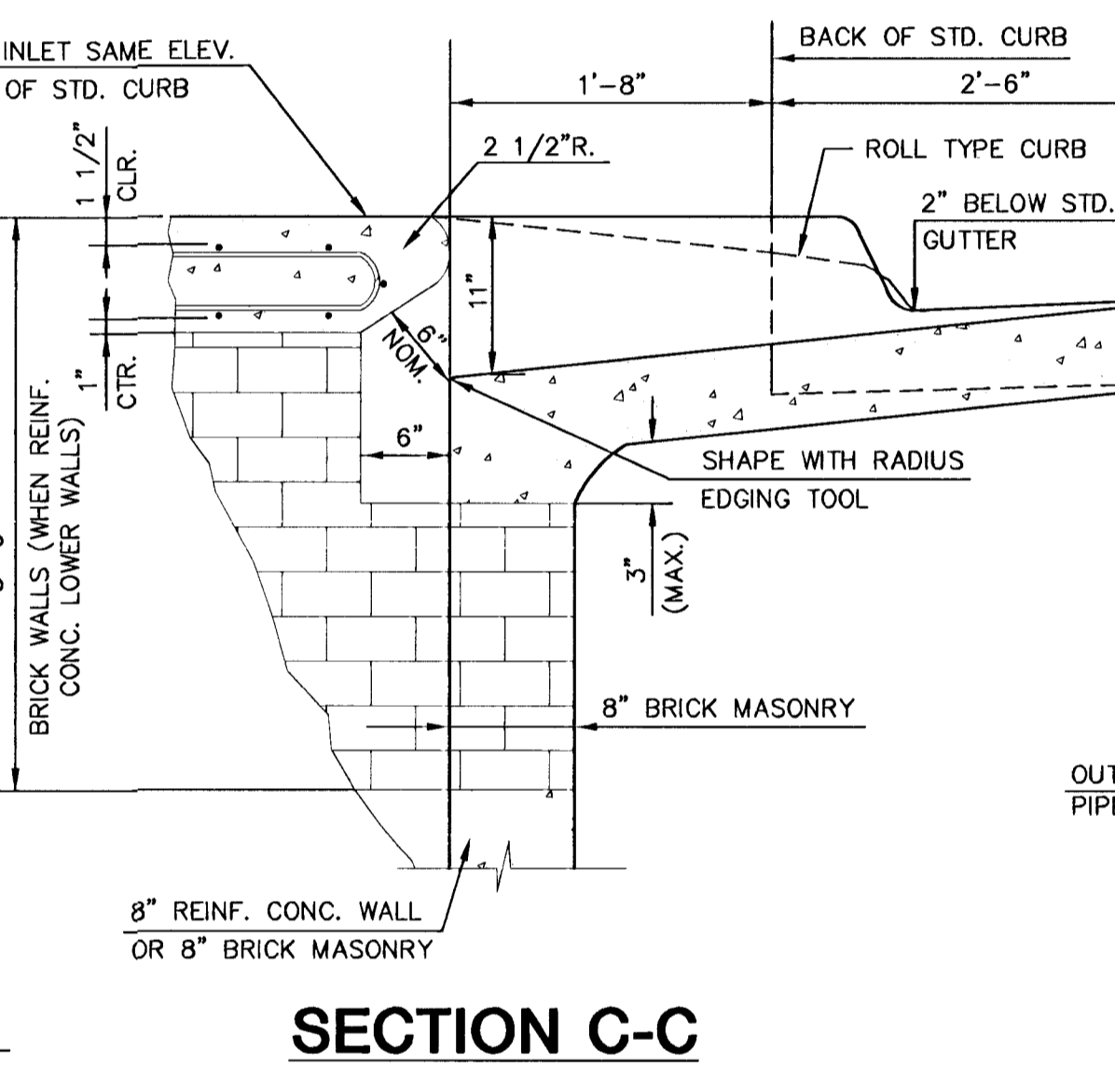
TYPICAL INLET SECTION AT CENTER WALL (REINFORCED CONCRETE WALLS)



SECTION A-A



TYPICAL INLET SECTION AT CENTER WALL (MASONRY WALLS)

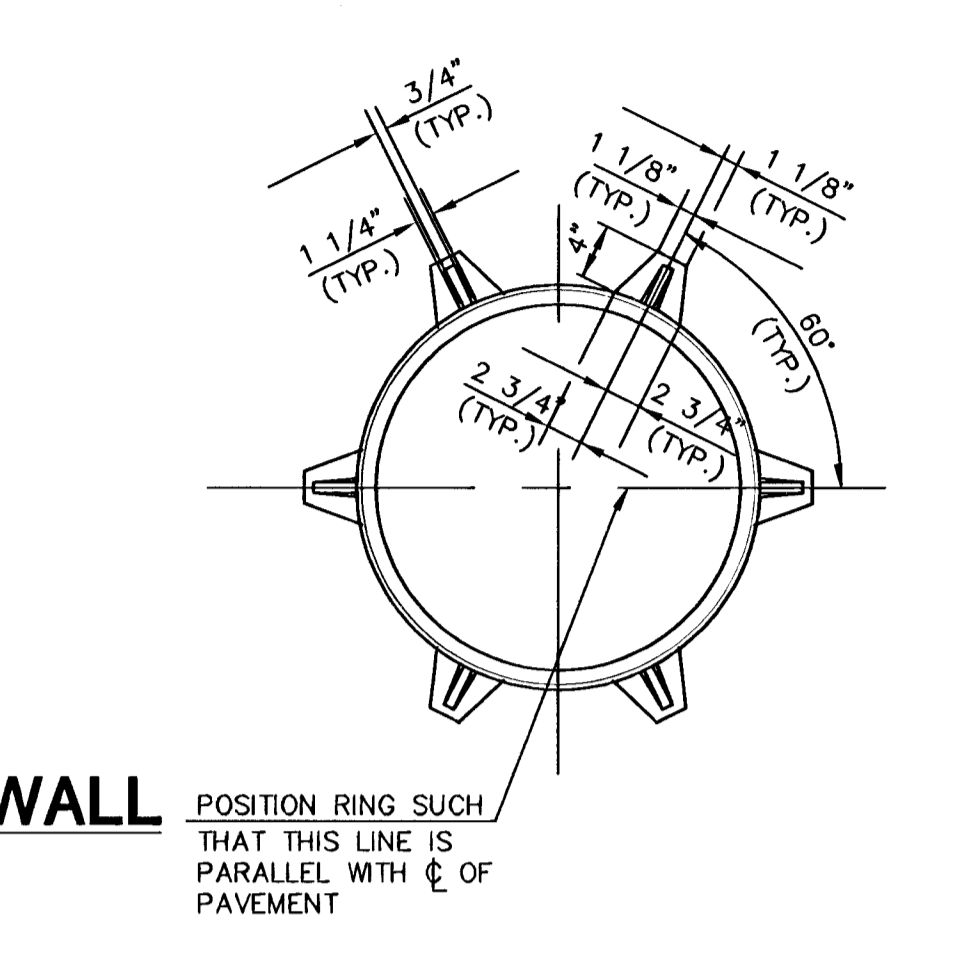


SECTION C-C

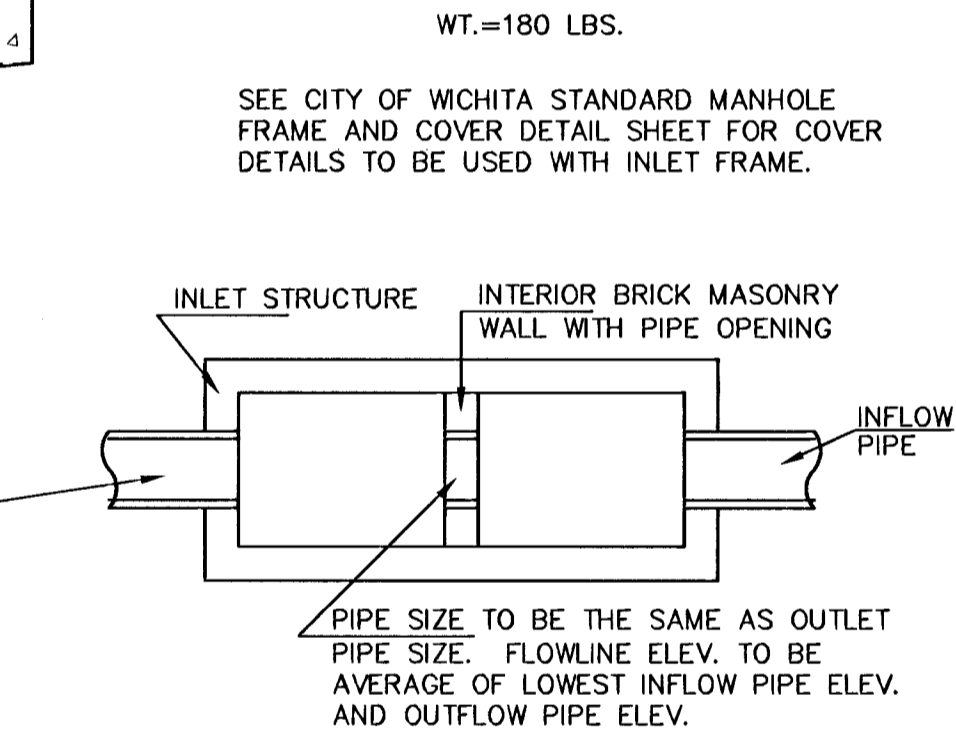
GENERAL NOTES

- THE CONTRACTOR SHALL BE REQUIRED TO CONSTRUCT 8" BRICK MASONRY WALLS BETWEEN THE CONCRETE INLET BASE AND TOP ON THIS INLET WHEN W=6'-4" OR LESS AND H=7'-0" OR LESS. WHEN W IS GREATER THAN 6'-4" AND H IS LESS THAN 7'-0". THE OUTSIDE INLET WALLS BELOW THE BRICK STACK SHALL BE REINFORCED CONCRETE CONSTRUCTION AND THE CENTER WALL SHALL BE OF MASONRY CONSTRUCTION AS SHOWN FOR THE MASONRY WALL OPTION.
- INLET INVERT SHALL BE SHAPED WITH 8 SACK SAND MIX CONCRETE TO CREATE FLOW CHANNELS AND TO INCREASE HYDRAULIC EFFICIENCY SUCH THAT THE INLET WILL BE SELF CLEANING BETWEEN ALL INLET AND/OR OUTLET PIPES.
- CONCRETE TOPS TO BE INSTALLED ON THIN MORTAR CUSHION TO INSURE FULL SUPPORT ALONG BRICK WALLS. CONCRETE TOPS MAY BE CAST IN PLACE OR PRECAST. CONCRETE USED FOR INLET CONSTRUCTION SHALL BE CONCRETE PAVEMENT MIX.
- INLET TOP REINFORCING SHALL BE SPACED ON 6" MAX. CENTERS. INLET LIDS SHALL BE NOTCHED OUT AS INDICATED TO FACILITATE CONSTRUCTION OF CURB. BARS IN INLET TOP TO BE FIELD BENT OR CUT TO CLEAR MANHOLE RING.
- THE ENDS OF ALL PIPES INSTALLED IN INLETS SHALL BE CUT OFF FLUSH WITH THE INSIDE FACE OF THE INLET WALL.

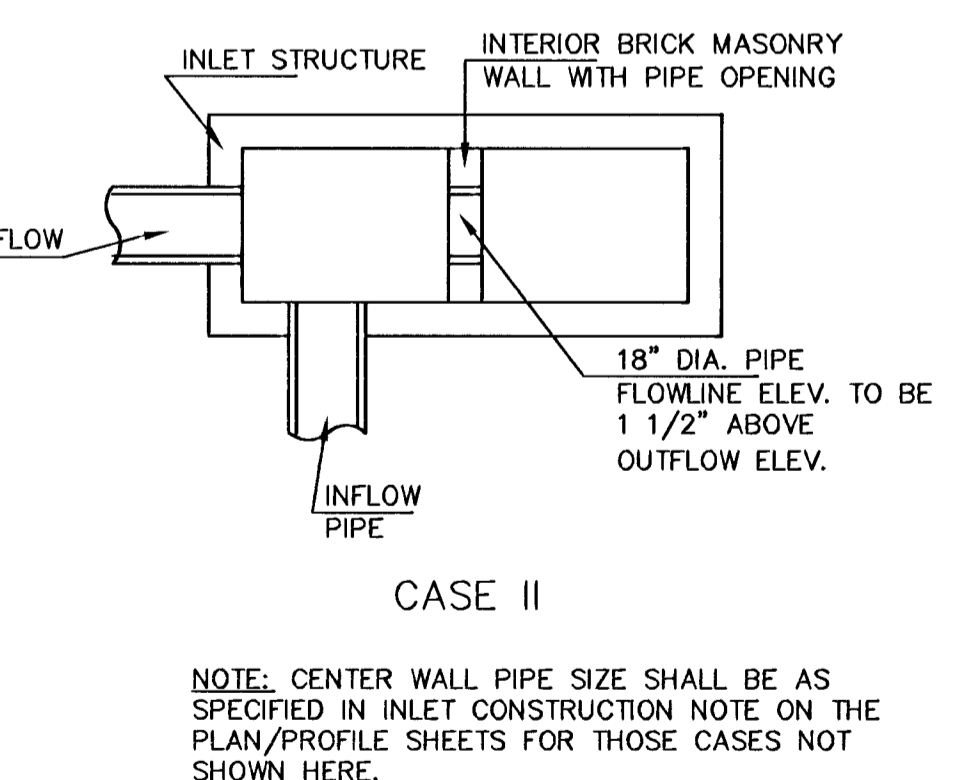
STANDARD CURB INLET PRECAST TOPS			
W	PRE-CAST TOP SIZE	PIPE SIZE	CU. YD. CONC.
4'-4"	3'-8"x11'-4"x7 1/2"	21" & SMALLER	0.83±
5'-4"	4'-8"x11'-4"x7 1/2"	24" & 30"	1.09±
6'-4"	5'-8"x11'-4"x7 1/2"	36" & 42"	1.35±
7'-4"	6'-8"x11'-4"x7 1/2"	48" & 54"	1.61±
8'-4"	7'-8"x11'-4"x7 1/2"	60" & 66"	1.87±



CAST IRON INLET RING
WT.=180 LBS.
SEE CITY OF WICHITA STANDARD MANHOLE FRAME AND COVER DETAIL SHEET FOR COVER DETAILS TO BE USED WITH INLET FRAME.



CASE I



CASE II

REVISED: 12-5-88 C.O.W.

STANDARD TYPE 1A CURB INLET
INLET OPENING=6"x10'-0"

NOV. 1984
CITY OF WICHITA, KANSAS

Design BER	Checked by	Checked by
KIS MNB		
Drawn by	Date	Date
		OF

SLAB AND FLOOR REINFORCING											
MARK	SIZE	W=4'-4"		W=5'-4"		W=6'-4"		W=7'-4"		W=8'-4"	
		NO.	LENGTH	NO.	LENGTH	NO.	LENGTH	NO.	LENGTH	NO.	LENGTH
a1	#4	13	6'-7 1/4"	13	8'-7 1/4"	13	10'-7 1/4"	13	12'-7 1/4"	13	14'-7 1/4"
a2	#4	2	6'-0"	2	8'-0"	2	10'-0"	2	12'-0"	2	14'-0"
a3	#4	20	4'-1"	20	5'-1"	20	6'-1"	20	7'-1"	20	8'-1"
b1	#4	1	9'-8"	1	9'-8"	1	9'-8"	1	9'-8"	1	9'-8"
b2	#4	18	11'-1"	24	11'-1"	30	11'-1"	36	11'-1"	42	11'-1"

WALL REINFORCING											
MARK	SIZE	W=4'-4"		W=5'-4"		W=6'-4"		W=7'-4"		W=8'-4"	
		NO.	LENGTH	NO.	LENGTH	NO.	LENGTH	NO.	LENGTH	NO.	LENGTH
w1	#4	①	11'-1"	①	11'-1"	①	11'-1"	①	11'-1"	1	11'-1"
w2	#4	①	4'-1"	①	5'-1"	①	6'-1"	①	7'-1"	1	8'-1"
w3	#4	②	③	②	③	②	③	②	③	②	③

* FIELD BEND OR CUT REINFORCING AS REQUIRED FOR CLEARANCE
① 4(HI-6")x4 (HI-6") ROUNDED DOWN TO NEAREST 0.5"
② 40x4(W-16")
③ HI+(9")