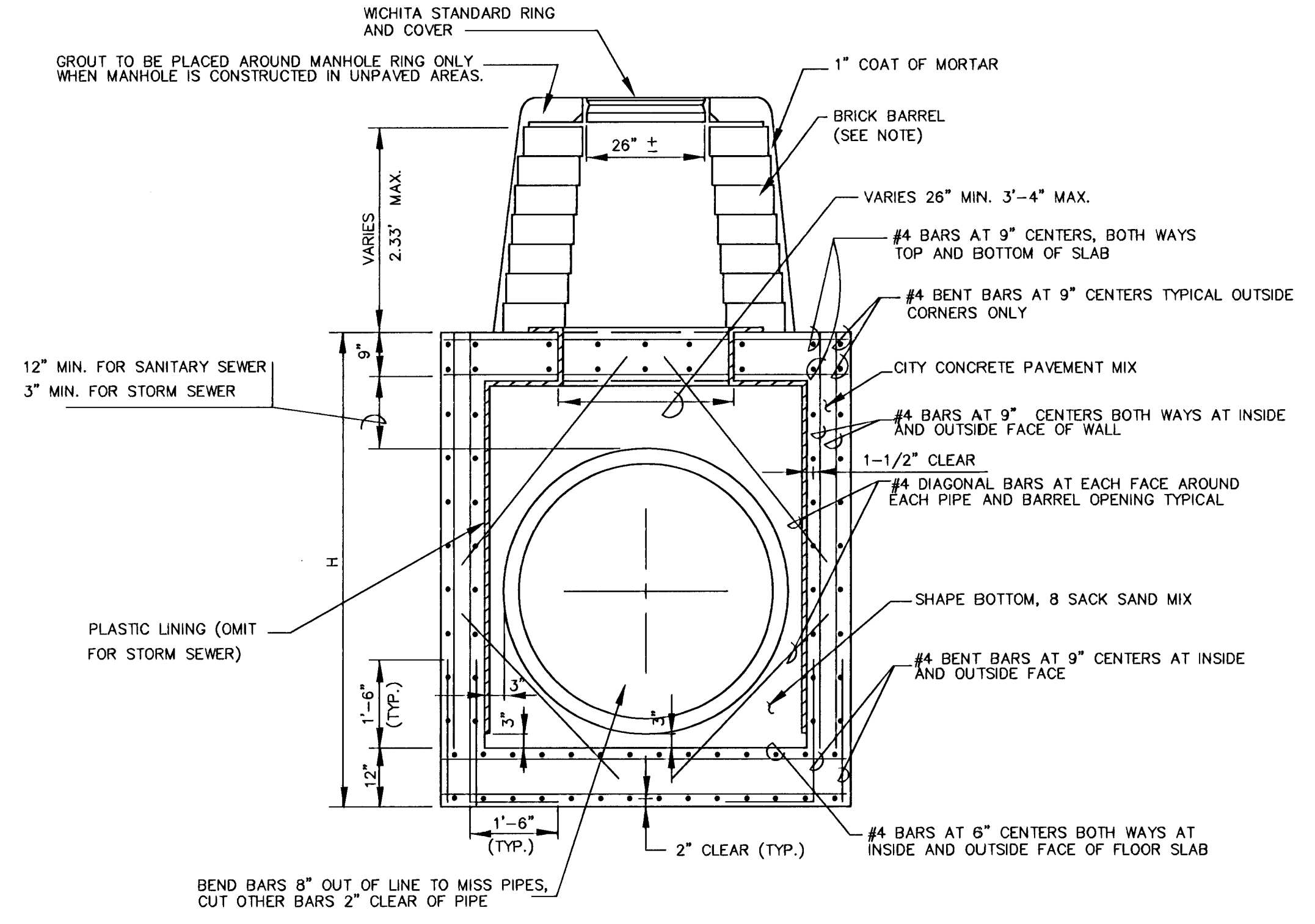
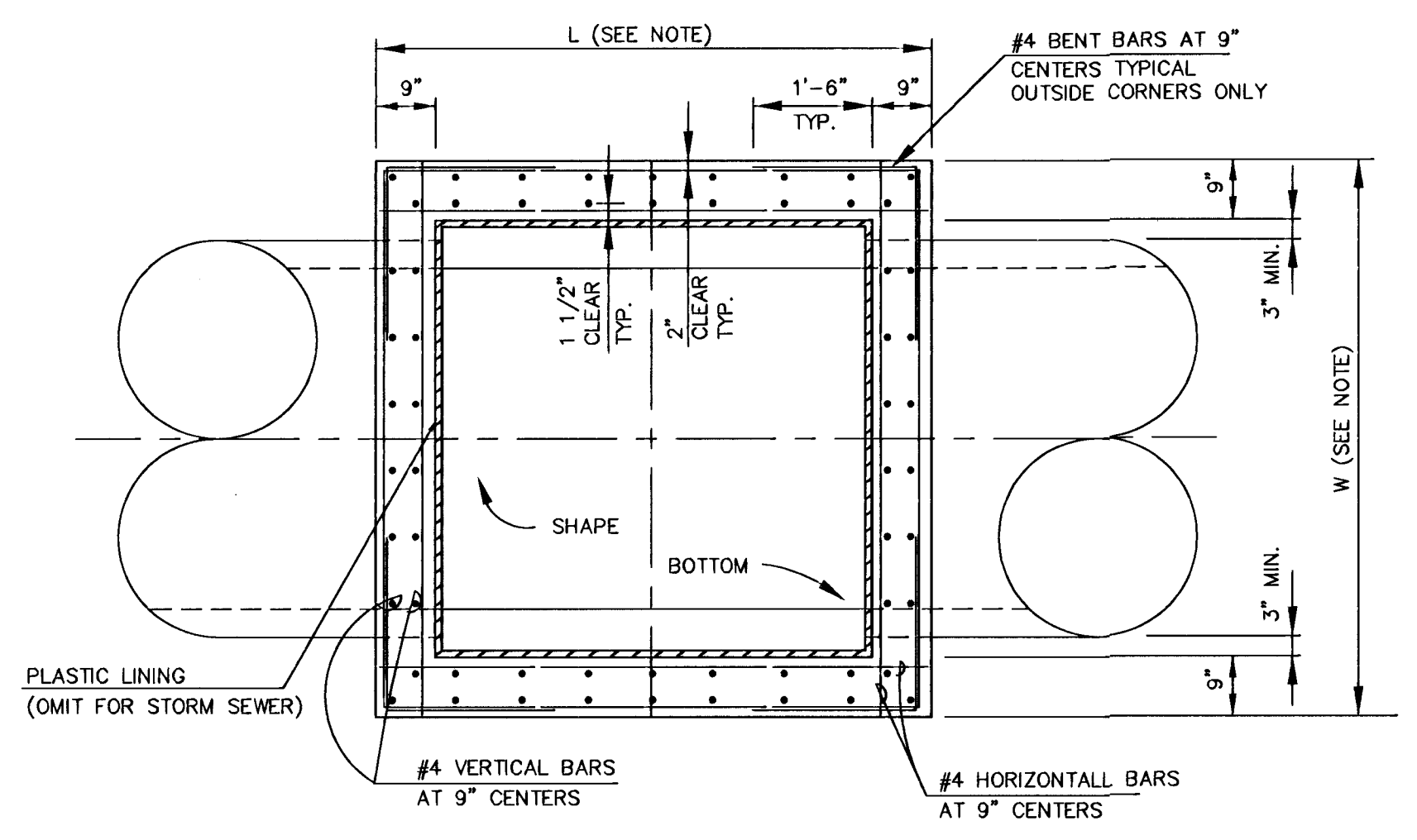


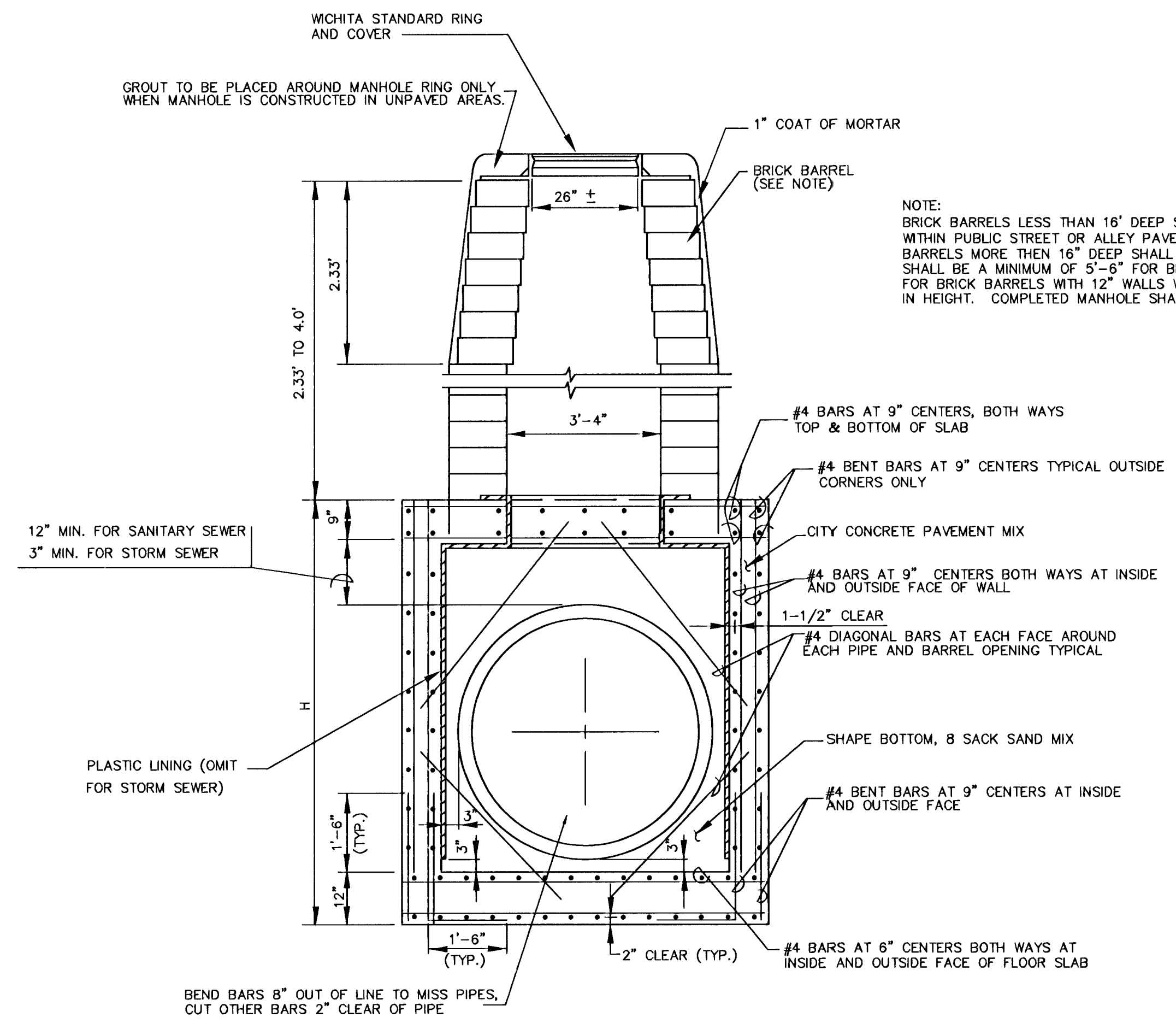
FHWA REG NO.	STATE	PROJECT NO.	YEAR	SHEET NO.	SHEETS
7	KANSAS	54-87 K-4445-01	1996	30	73



REINFORCED CONCRETE MANHOLE
DEPTH OF STACK: 0' TO 2.33'

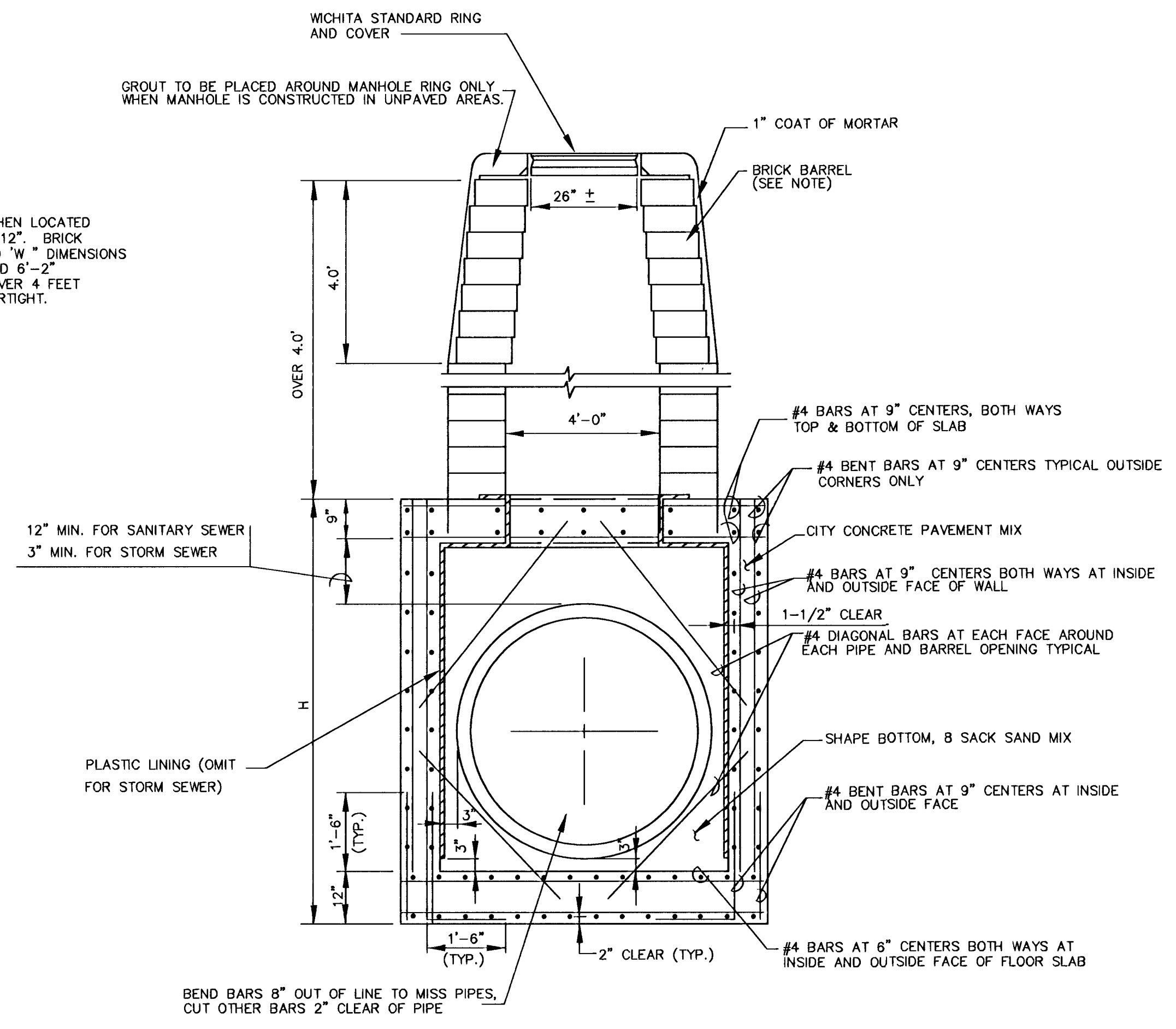


TOP VIEW



REINFORCED CONCRETE MANHOLE
DEPTH OF STACK: 2.33' TO 4.0'

NOTE:
BRICK BARRELS LESS THAN 16' DEEP SHALL HAVE 8" WALLS EXCEPT WHEN LOCATED WITHIN PUBLIC STREET OR ALLEY PAVEMENT THEN THE WALL SHALL BE 12". BRICK BARRELS MORE THAN 16' DEEP SHALL HAVE 12" WALLS. THE "L" AND "W" DIMENSIONS SHALL BE A MINIMUM OF 5'-6" FOR BRICK BARRELS WITH 8" WALLS AND 6'-2" FOR BRICK BARRELS WITH 12" WALLS WHEN THE BRICK BARRELS ARE OVER 4 FEET IN HEIGHT. COMPLETED MANHOLE SHALL BE WITHOUT LEAKS AND WATERTIGHT.



REINFORCED CONCRETE MANHOLE
DEPTH OF STACK: OVER 4.0'

3					
2					
1					
NO.	DATE	REVISIONS	BY	APP'D	

CITY OF WICHITA

**STANDARD DETAILS
REINFORCED CONCRETE
MANHOLES**

SHEET NO.	OF	SCALE	APP'D
DESIGNED	COW	DETAILED	COW
QUANTITIES	COW	TRACED	COW
DESIGN CK.	COW	DETAIL CK.	COW
QUAN. CK.	COW	TRACE CK.	COW