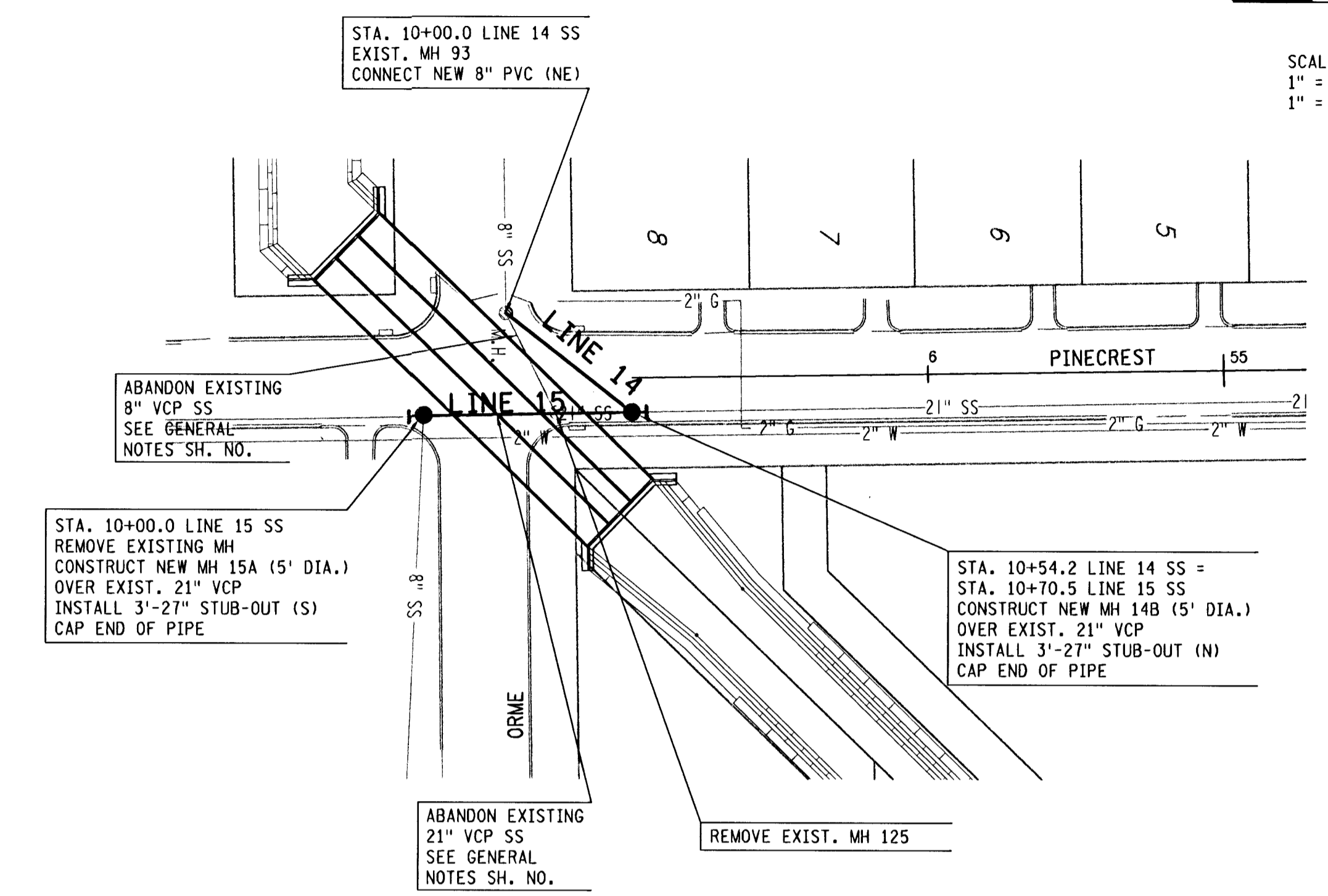
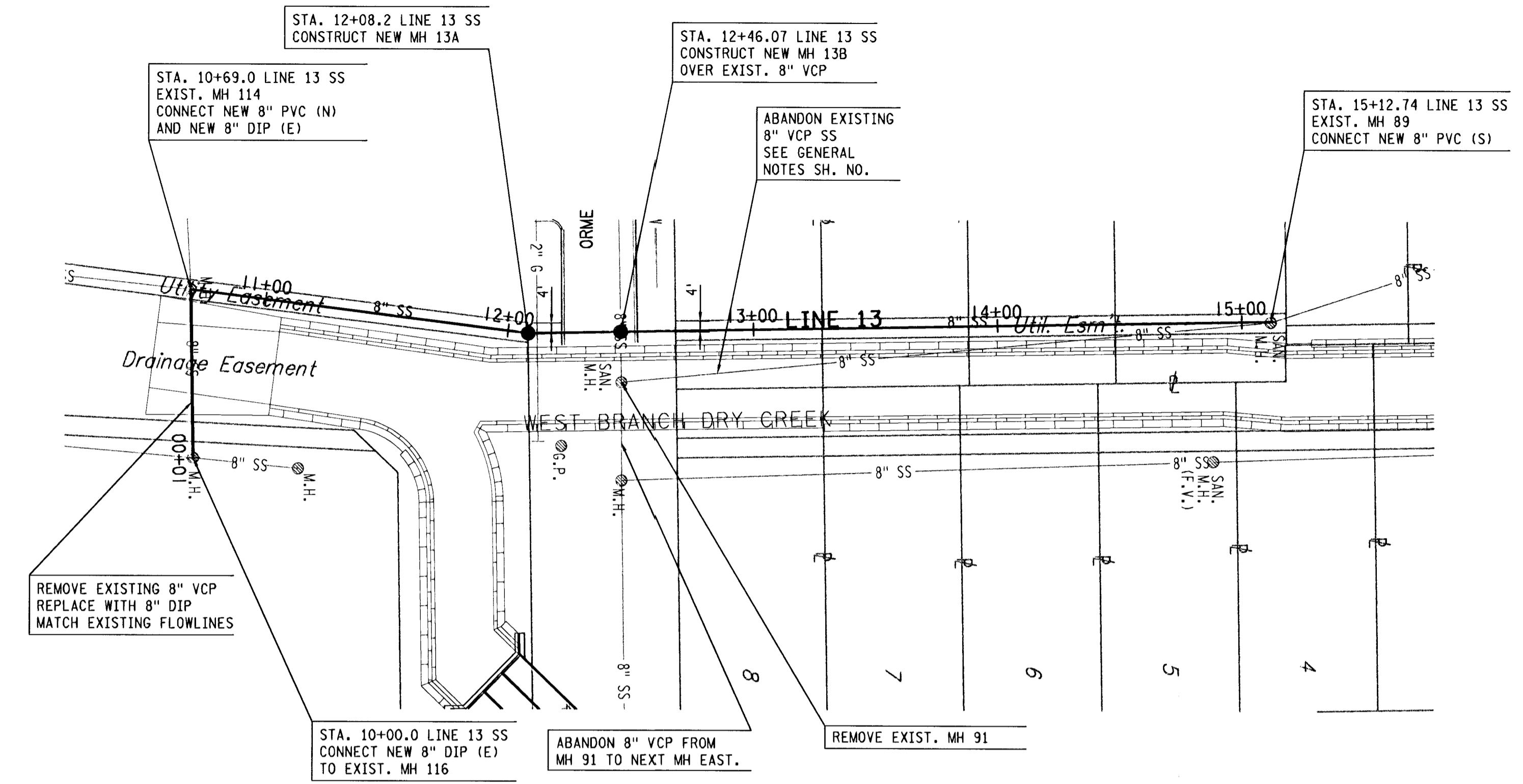
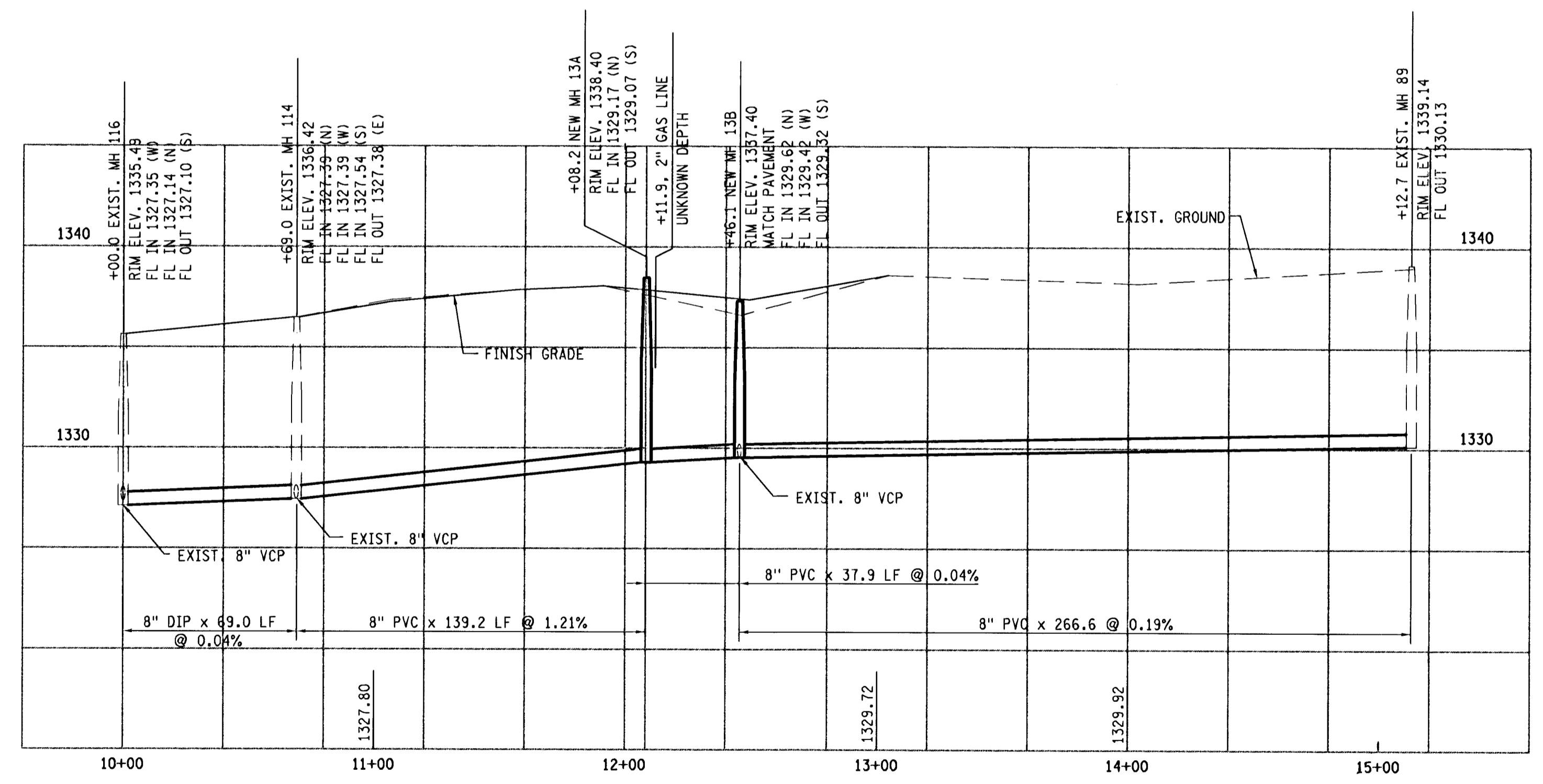


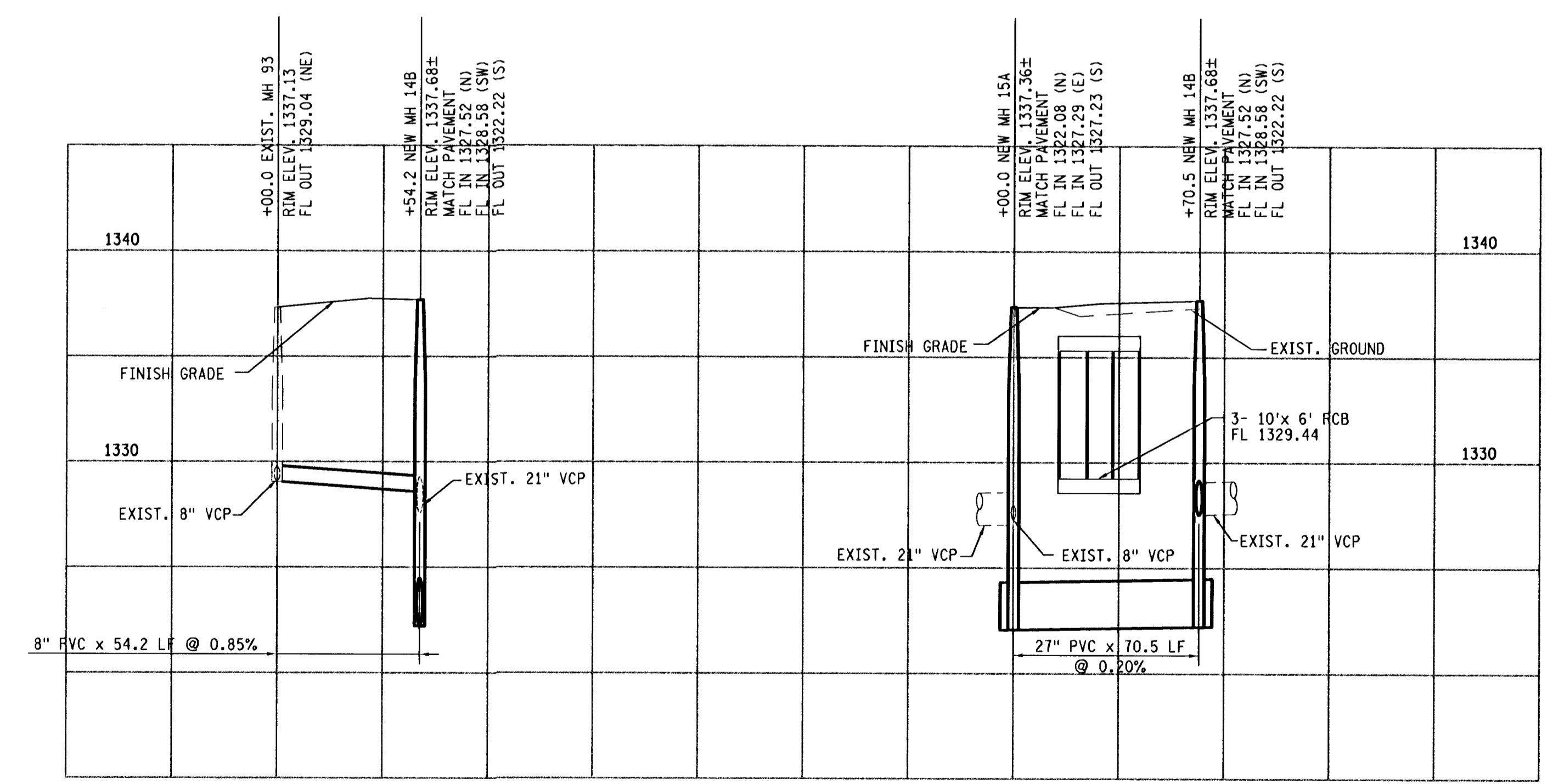
FHWA REGION NO.	STATE	PROJECT NO.	YEAR	SHEET NO.	TOTAL SHEETS
7	KANSAS	54-87 K-4445-01	1996	34	73



SCALE:  
1" = 40' HORIZ.  
1" = 5' VERT.



LINE 13



LINE 14

3				
2				
1				
NO.	DATE	REVISIONS	BY	APP'D
CITY OF WICHITA				
PLAN AND PROFILE SANITARY SEWER LINES 13, 14, AND 15				
SHEET NO.	OF	SCALE 1" = 40'	APP'D	
DESIGNED	W.L.	DETAILED	QUANTITIES	W.L.
DESIGN	CK.	J.M.	DETAIL	CK.
		W.L.	TRACE	CK.