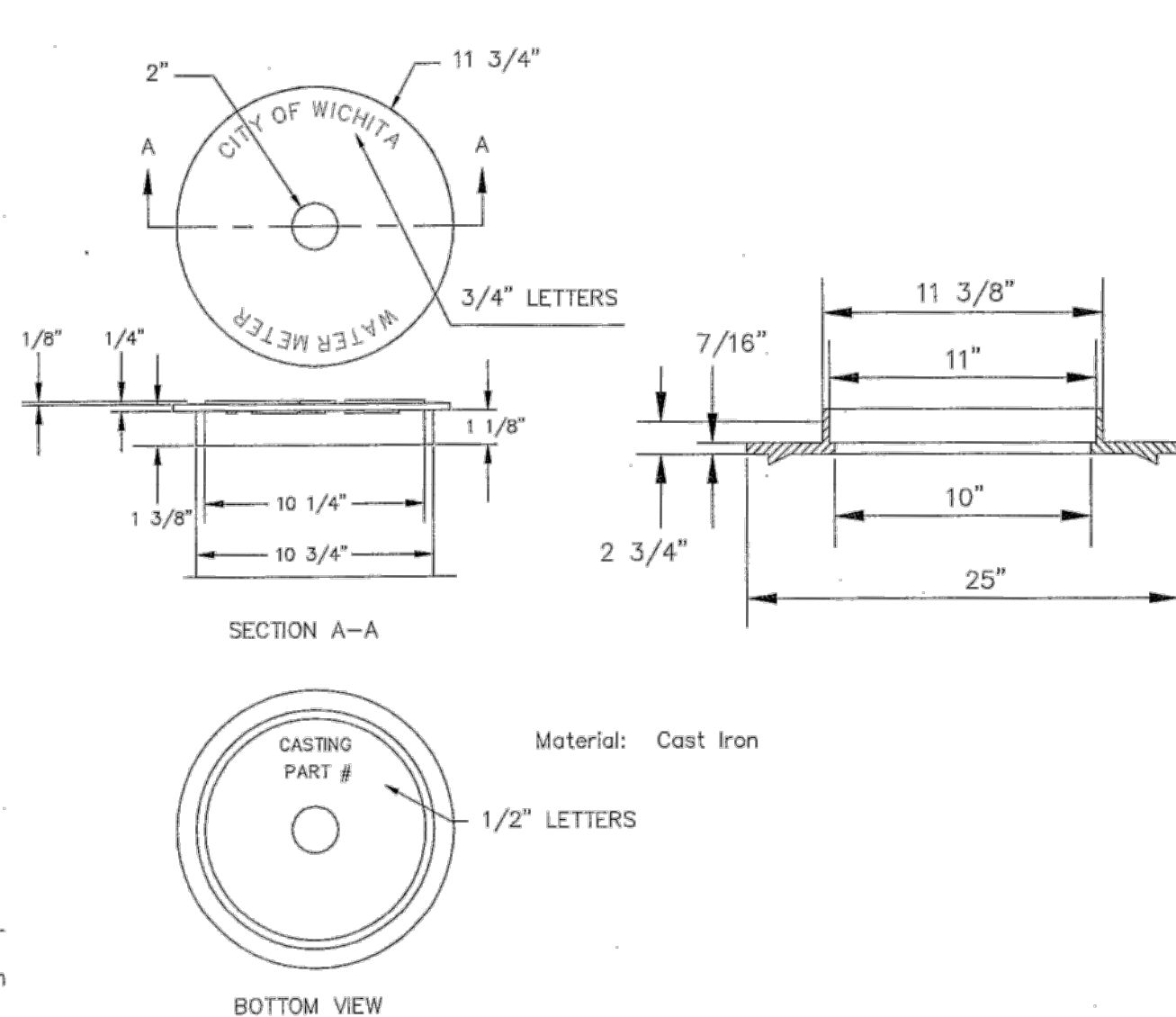


On rare occasions Contractor to furnish and install PVC plugs in the inlet & outlet meter coupling nuts when meter is not set at the time of installation.

Minimum length of pigtail on consumer side is 36" of copper tubing from meter set.
Bore hole under paving shall be a maximum of 2" in diameter and a minimum of 36" below top of pavement.
Service Saddles are required on all mains.
Meter boxes will be located on each lot to be served, as indicated in the SPECIAL PROVISIONS

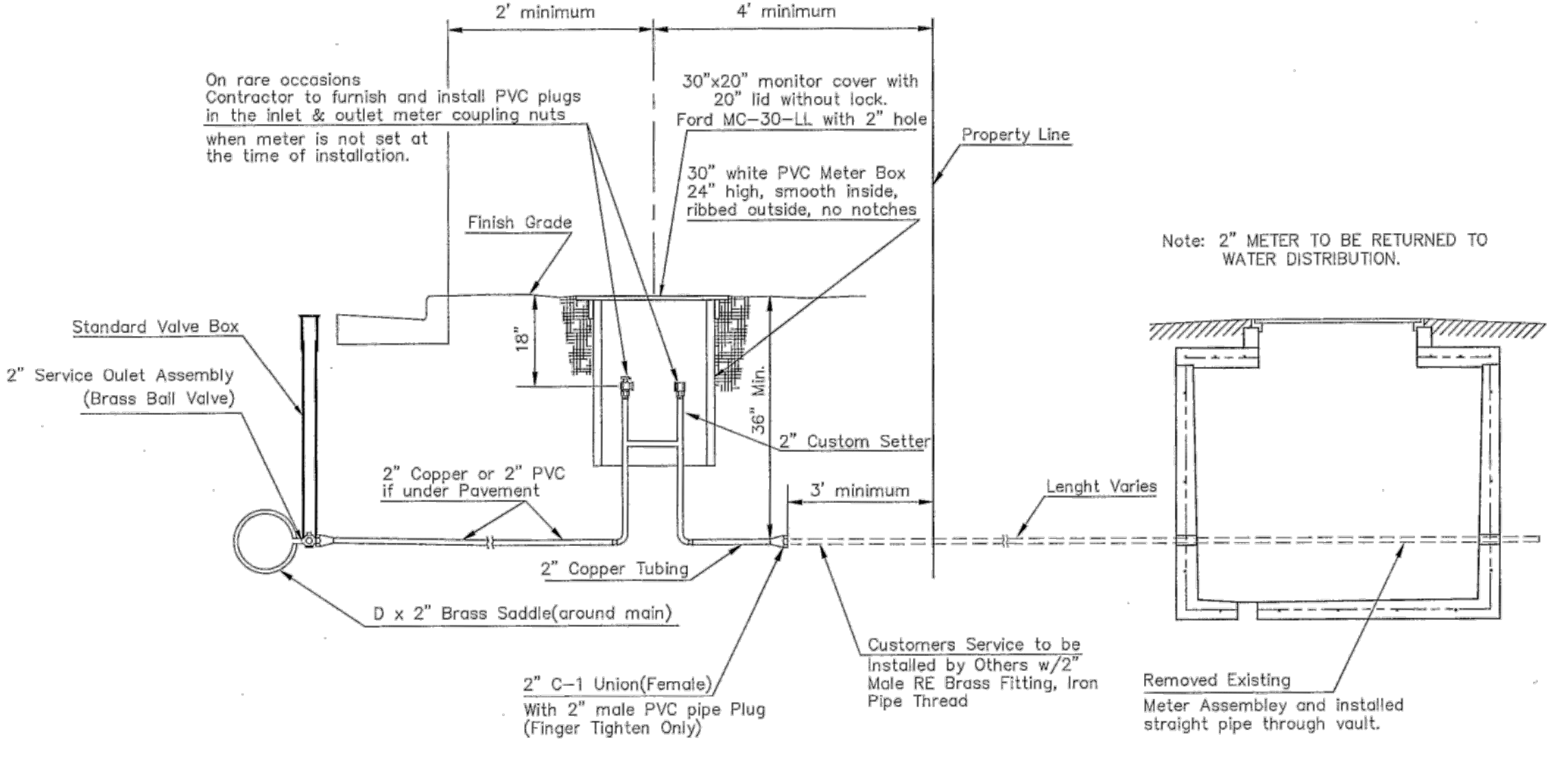
TYPICAL 1" METER SETTING



NOT TRAFFIC RATED RING & LID FOR 1" METER BOX

- 1 - 1/2" Mueller Thread Corporation Stop
- 1 - 1/2" Type "K" Copper Tubing
- 1 - 1/2" Copper to Iron Union (Male)
- 1 - 1/2" Brass Curb Stop (Iron to Iron)
- 2 - 1/2" x 1/4" Brass Nipple
- Air Release
- 2 - 1/2" Brass Elbows (90°)
- 1 - 1" x 6" Brass Nipple
- 1 - 30" Monitor Cover
- 1 - 20" Meter Lid

NOTE: THE 1/2" AIR RELEASE ASSEMBLY WILL TYPICALLY BE USED ON WATER MAINS 24" AND SMALLER, AS SPECIFICALLY DESIGNATED IN THE PLANS. COMBINATION AIR RELEASE ASSEMBLIES WILL BE SPECIFICALLY DESIGNED FOR PROJECTS WITH LARGER MAINS, AND WILL BE INCLUDED IN THE PLANS.

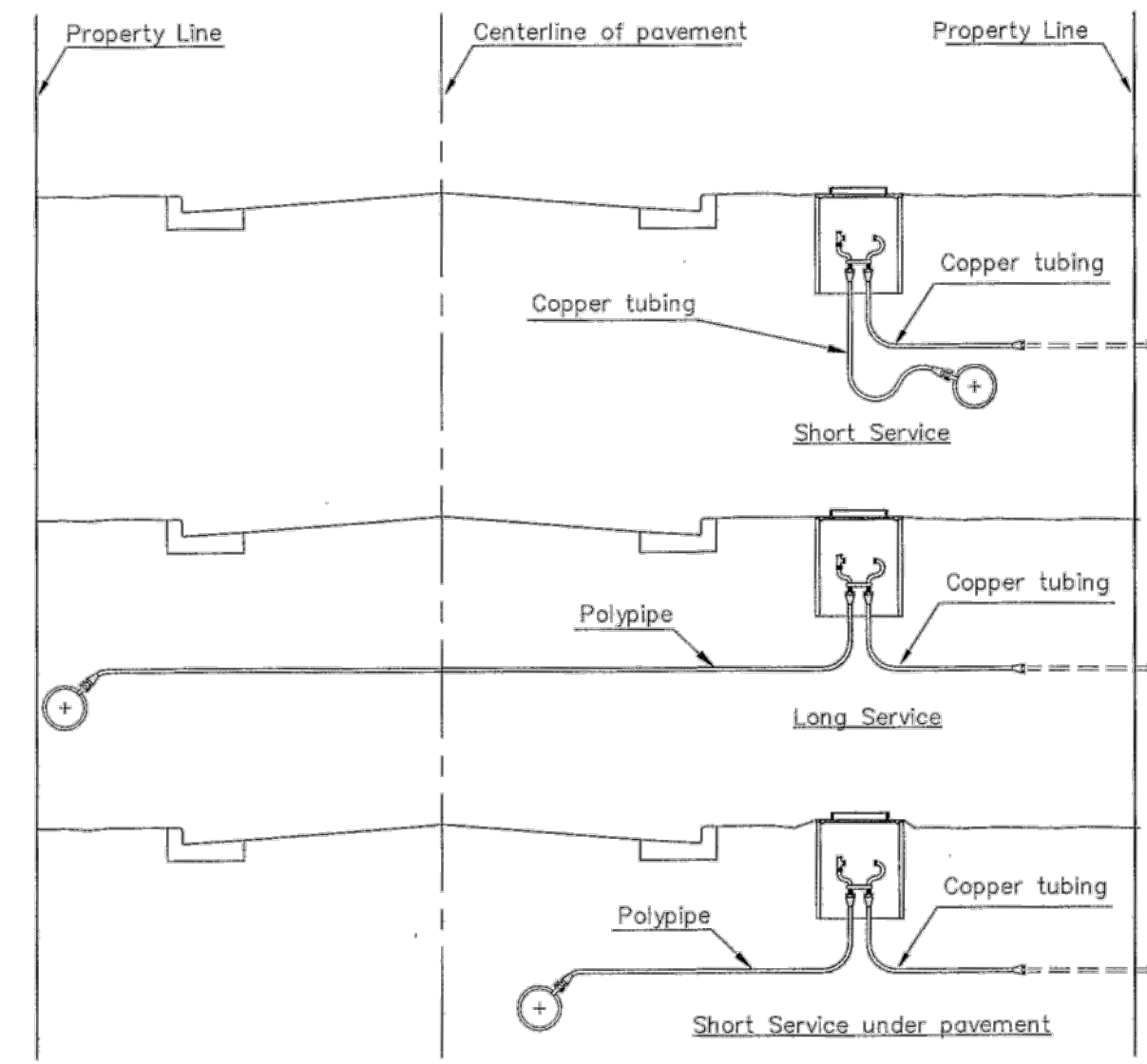


TYPICAL 2" METER SETTING

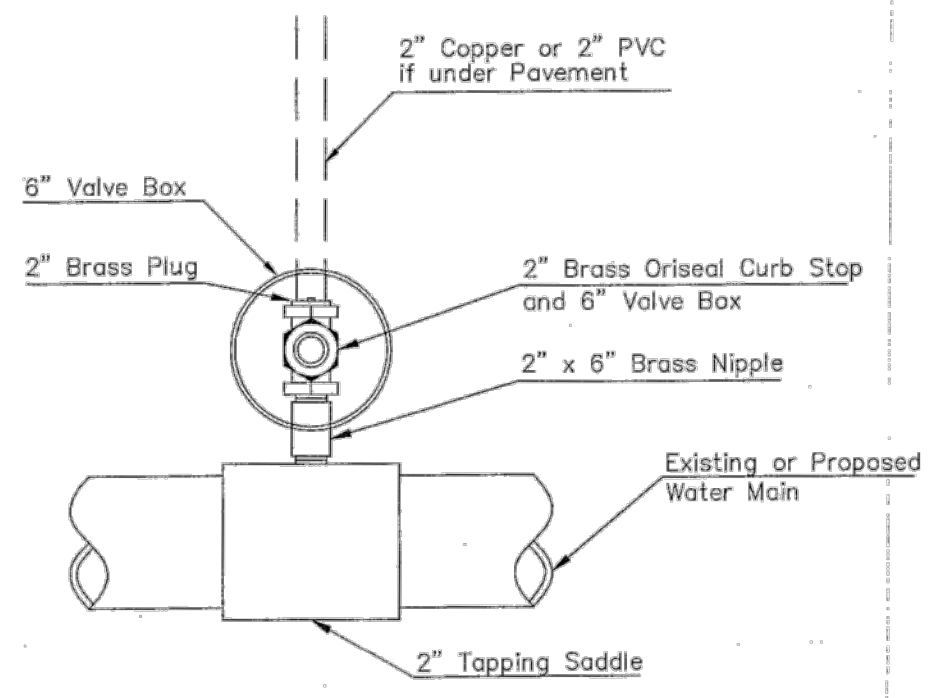
Note: ONE VALVE STEM EXTENSION FOR EACH VALVE BURIED GREATER THAN 5'.

TYPICAL 2" METER SETTING INVOLVING EXISTING 2" METER VAULT

Note: ONE VALVE STEM EXTENSION FOR EACH VALVE BURIED GREATER THAN 5'.

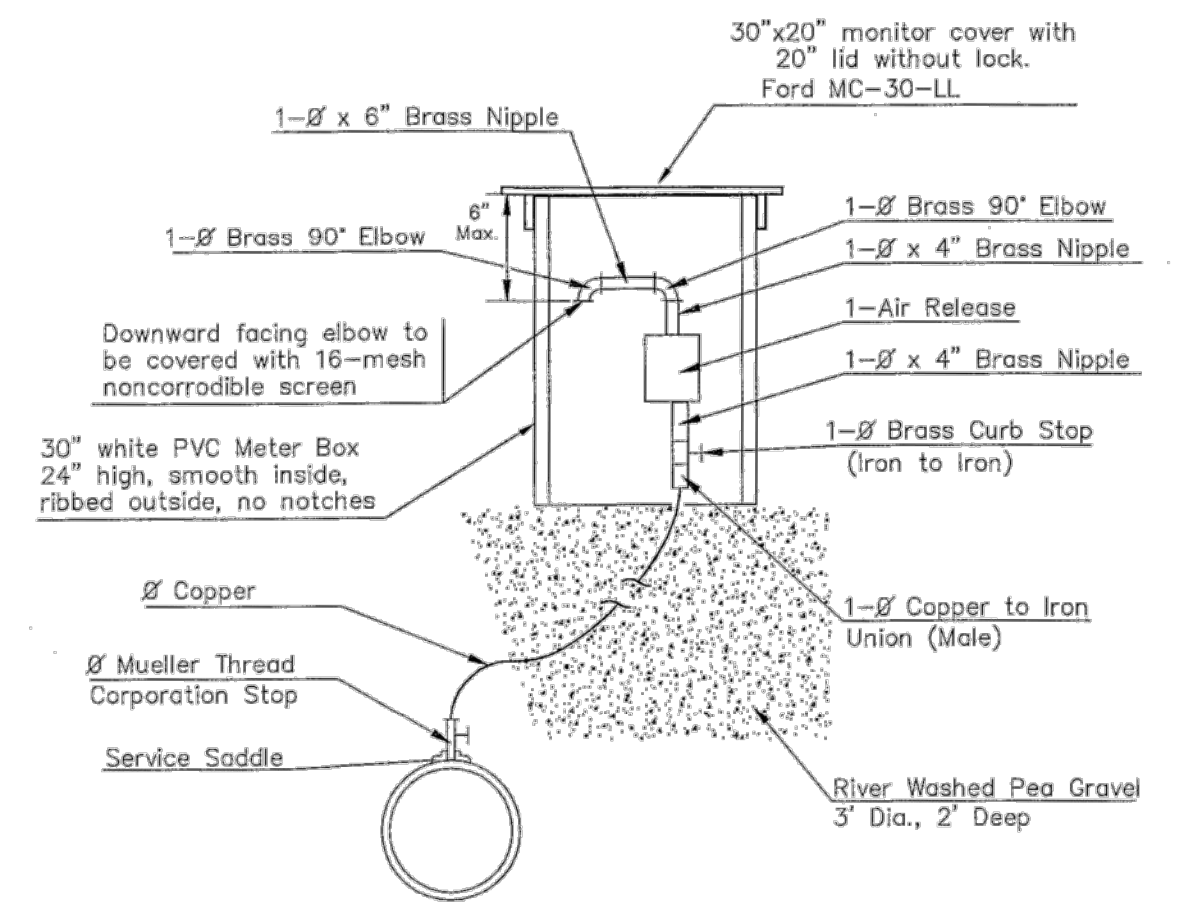


SERVICE TYPES

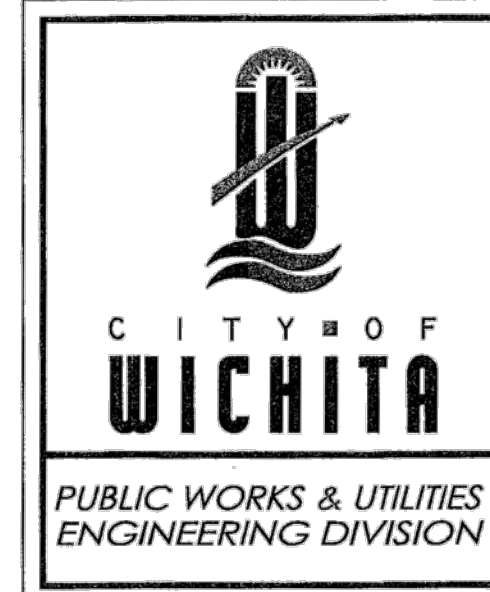


Note: Where the 2" Service Outlet Assembly is to be used to connect a 2" main to another main, the 2" valve shall be a 2" IPT Gate Valve. 2" ball or globe valves shall not be approved for this use.

2" SERVICE OUTLET ASSEMBLY TOP VIEW



MATERIALS FOR 1" or 2" AIR RELEASE ASSEMBLY Ø = 1" or 2"



STANDARD WATER SERVICE DETAIL		
CITY ENGINEER GARY JANZEN, P.E.		
PROJECT NUMBER	OCA NUMBER	DATE
CITY ENGINEER'S OFFICE CITY HALL - SEVENTH FLOOR 455 NORTH MAIN STREET WICHITA, KANSAS 67202-1620 (316) 268-4501	SHEET	of

REVISED: JANUARY 2015



9400 WARD PARKWAY
KANSAS CITY, MO 64114
816-333-9400
LICENSEE NO. 000165

date	designed	detailed	checked
AUGUST 25, 2014	J. MCNIFF	M. CHARRETTE	S. WILSON



ETHEL NEIGHBORHOOD WATER MAIN REPLACEMENT
DETAIL SHEET 2

project	contract
77025	448-90612
drawing	rev.
C089	0
sheet 96 of 101 sheets	file WL-102_DETAILSHEET2.dwg

Name Discipline License No.

Scale For Microfitting

Inches

J:\WICHT\77025 - Ethel\WMCADD\06_Civil\WL-102_DETAIL\SHEET2.dwg, Jul 16, 2015 - 9:37am mchanette
COPYRIGHT © 2015 BURNS & MCDONNELL ENGINEERING COMPANY, INC.