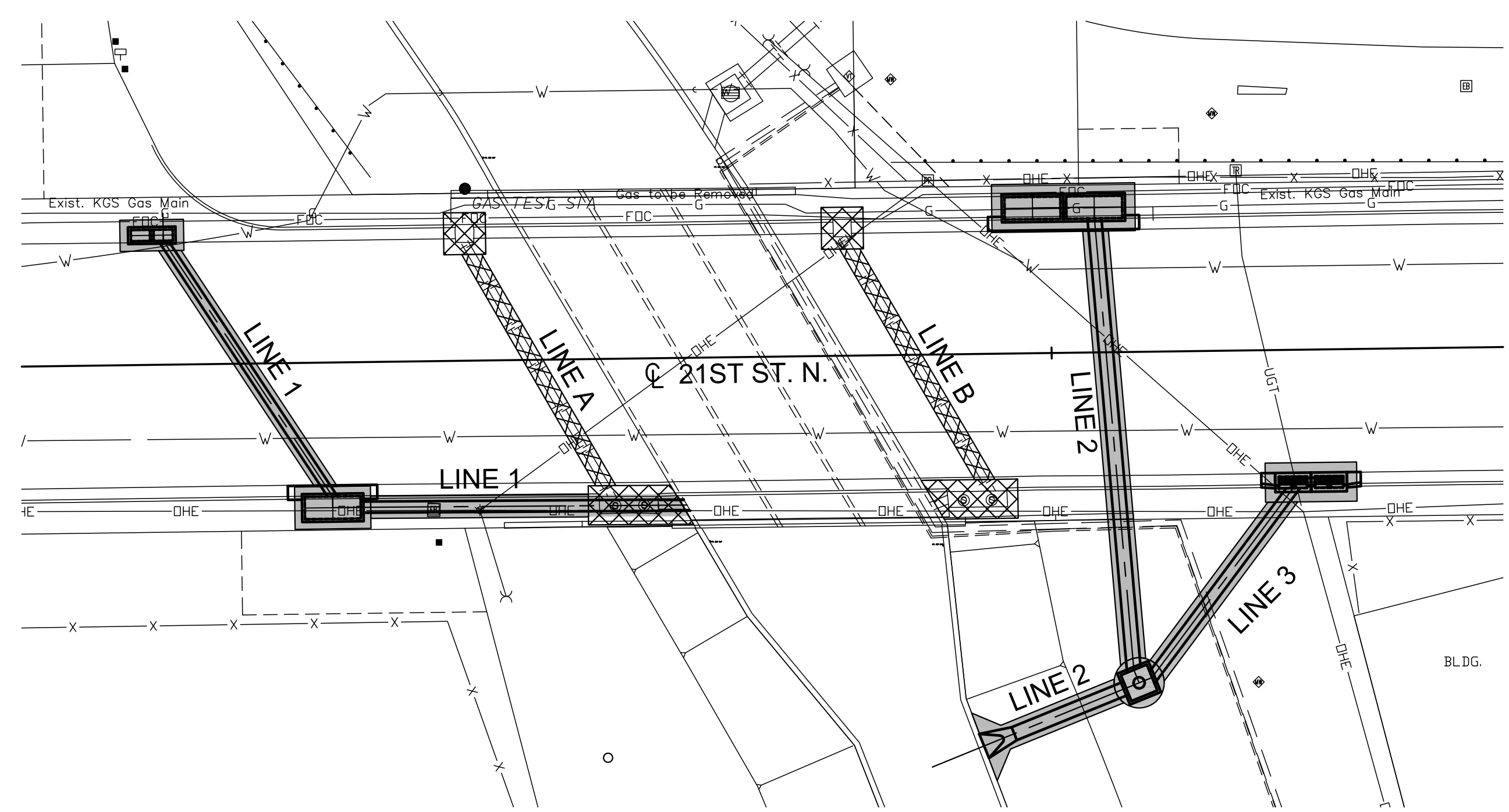


STATE	PROJECT NO.	YEAR	SHEET NO.	TOTAL SHEETS
KANSAS	87 N-0612-01	2015	25	84

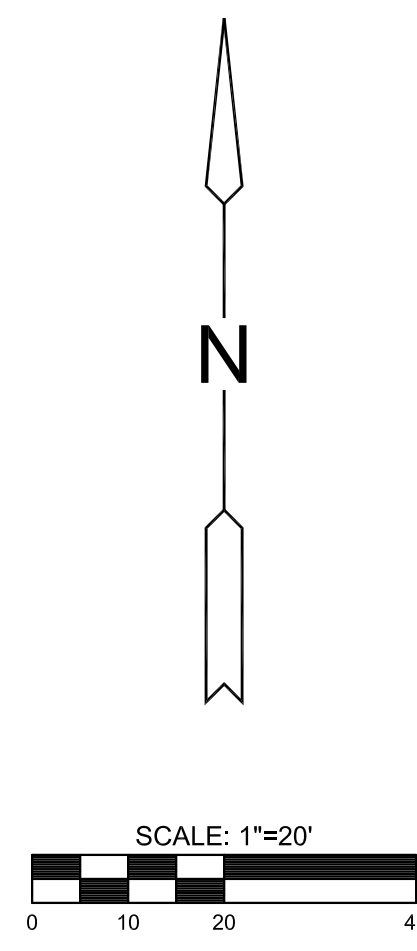


CONSTRUCTION PLANS FOR
21ST STREET BRIDGE AT DERBY REFINERY
 WICHITA, KANSAS



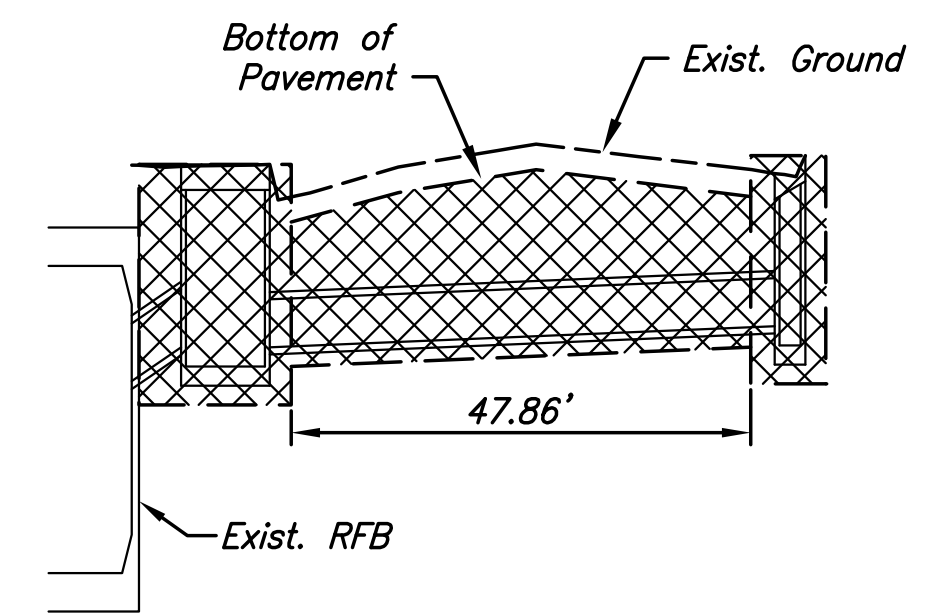
PLAN - EXCAVATION FOR STORM SEWERS

- LEGEND**
- Excavation Areas for Existing Storm Sewer Demolition
 - Excavation Areas for Proposed Storm Sewer Installation

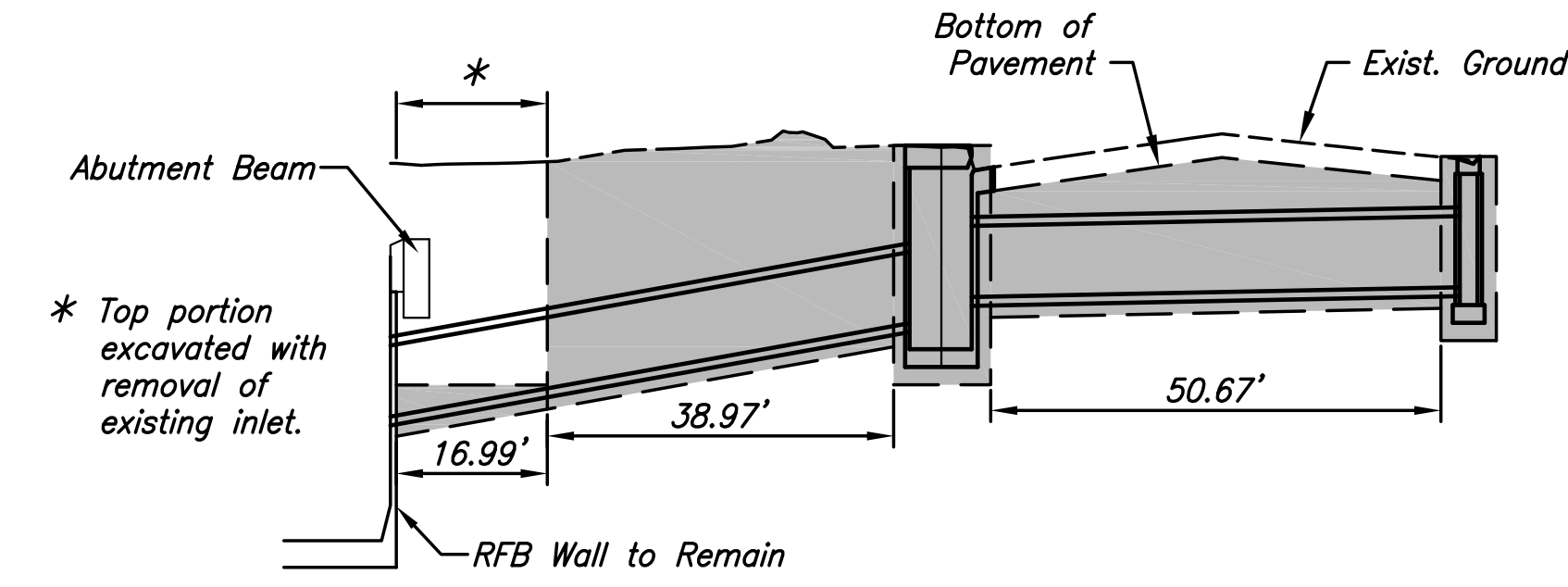


NOTES:

1. Quantities provided are for information only.
2. Excavation quantities shown on this sheet include all pervious material within the excavation limits as outlined. The volume of impervious materials such as existing pavement, concrete inlets and storm sewer pipes that are to be removed have been subtracted from the quantities shown.
3. For the purposes of calculating quantities, an existing pavement depth of 8" was assumed.
4. Excavation quantities for the removal of existing storm sewer structures were calculated based on excavating around the outside limits of the structure a distance of 2' on all sides.
5. Excavation quantities for the construction of proposed storm sewer structures were calculated based on excavating around the outside limits of the structure a distance of 1' on all sides.
6. Excavation quantities calculated for any given pipe trench is based on the pipe size using the "Storm Sewer Trench Detail" shown on sheet 21.
7. The volume of whatever nature captured within existing storm sewer pipes and structures have been removed from the quantities.
8. Refer to Section 307 of the Special Provisions.

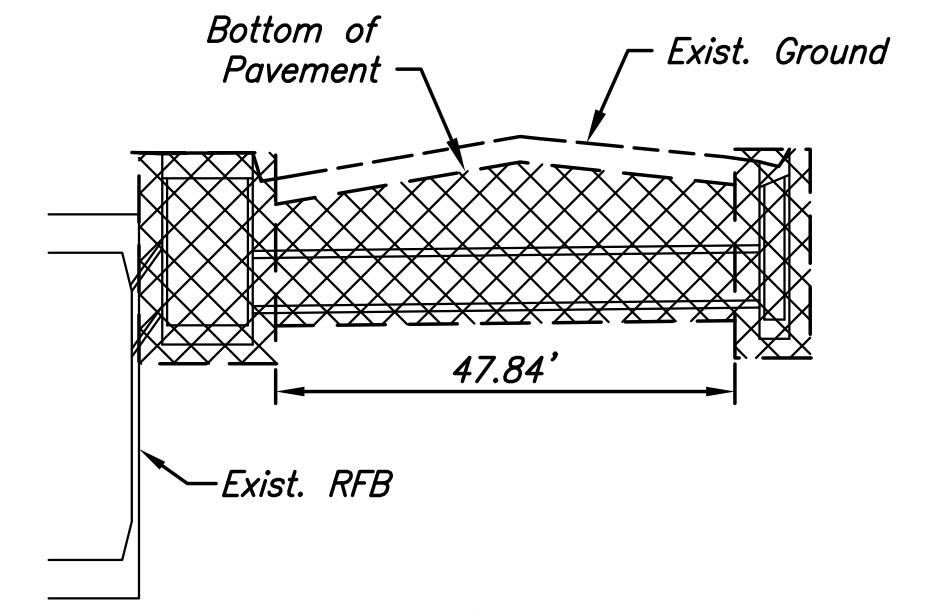


ELEVATION - LINE A
(Existing Storm Sewer to be removed)

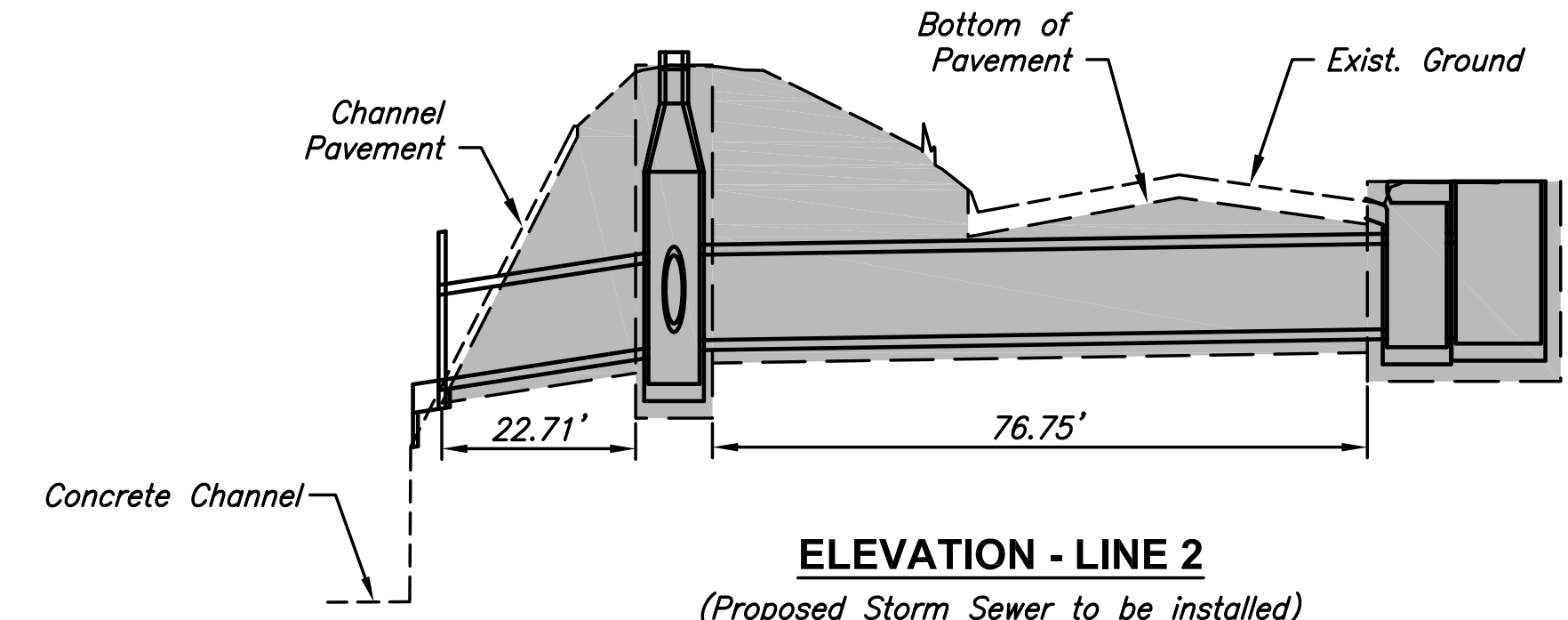


ELEVATION - LINE 1
(Proposed Storm Sewer to be installed)

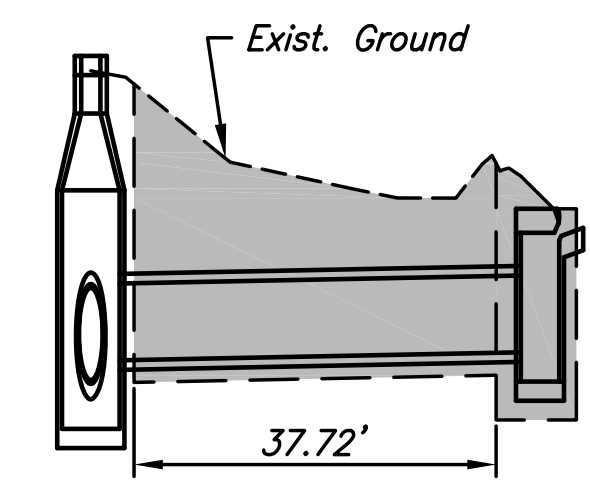
NOTE:
Elevation views are shown with a vertical exaggeration for clarity.



ELEVATION - LINE B
(Existing Storm Sewer to be removed)



ELEVATION - LINE 2
(Proposed Storm Sewer to be installed)



ELEVATION - LINE 3
(Proposed Storm Sewer to be installed)

EXCAVATION QUANTITIES	
EXCAVATION AREA	QTY. (Cu. Yds.)
Exist. SWS Line A	46.0
Exist. SWS Line B	37.8
Prop. SWS Line 1	101.6
Prop. SWS Line 2	150.3
Prop. SWS Line 3	51.6

©2013 MKEC Engineering All Rights Reserved www.mkec.com These drawings and their contents, including, but not limited to, all concepts, designs, & ideas are the exclusive property of MKEC Engineering (MKEC), and may not be used or reproduced in any way without the express consent of MKEC.

EXCAVATION PLAN FOR STORM SEWERS

PROJECT NO.	472-85120	
DATE	JULY 2015	
SCALE	NO SCALE	
DESIGNED	DRAWN	CHECKED
JRA	DMU	JRA
NO.	REVISION	DATE
SHEET NO.		