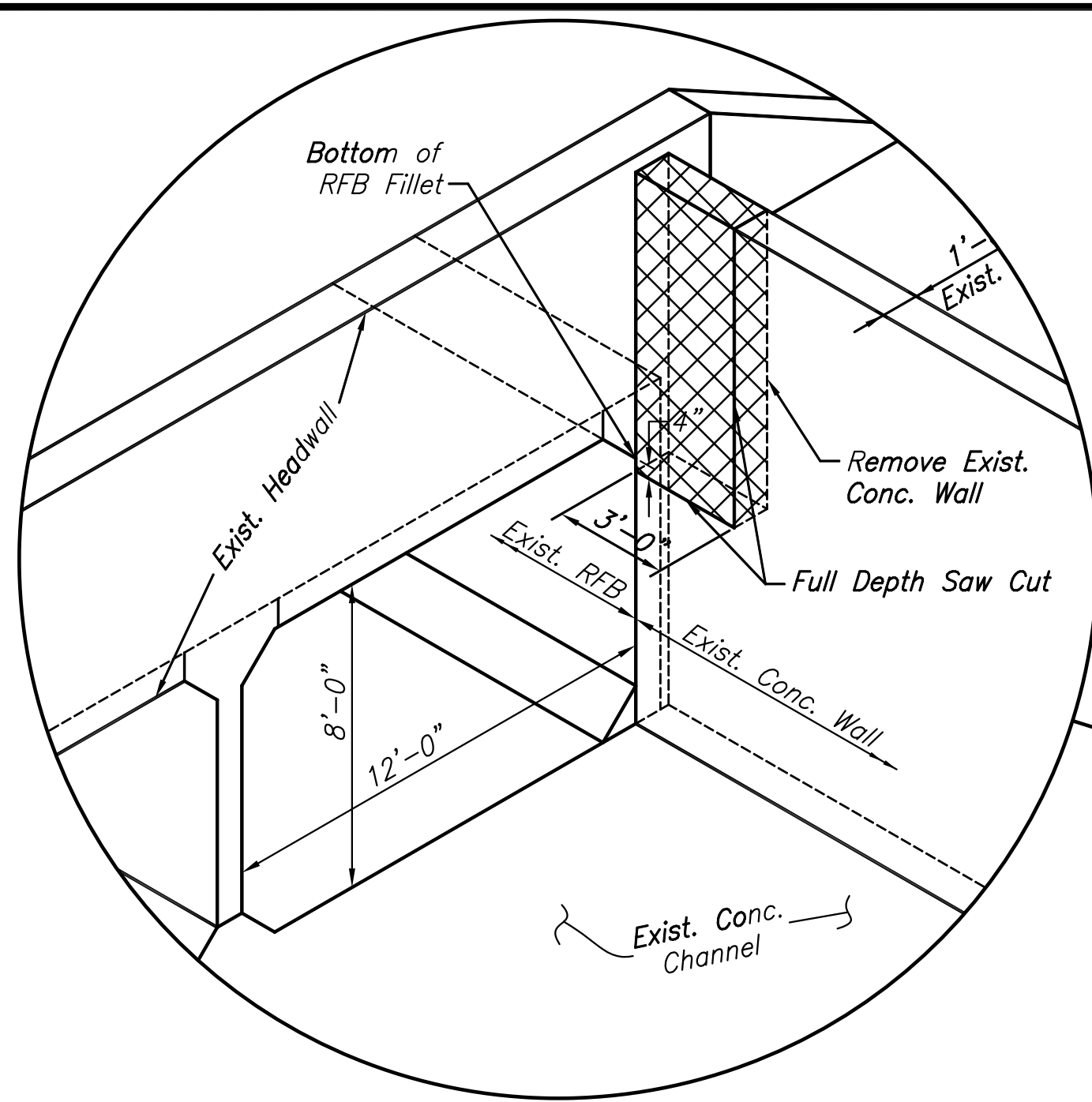
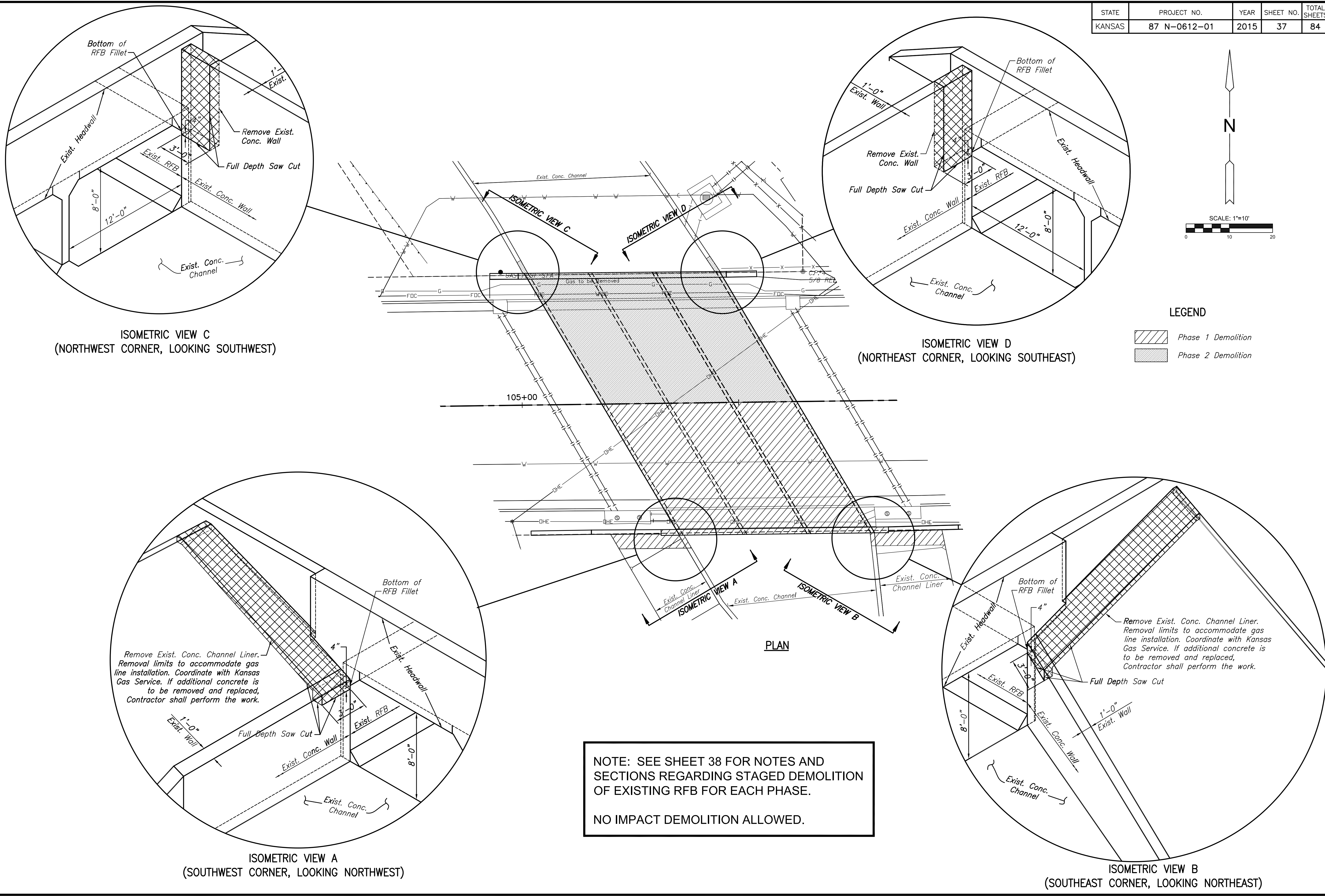


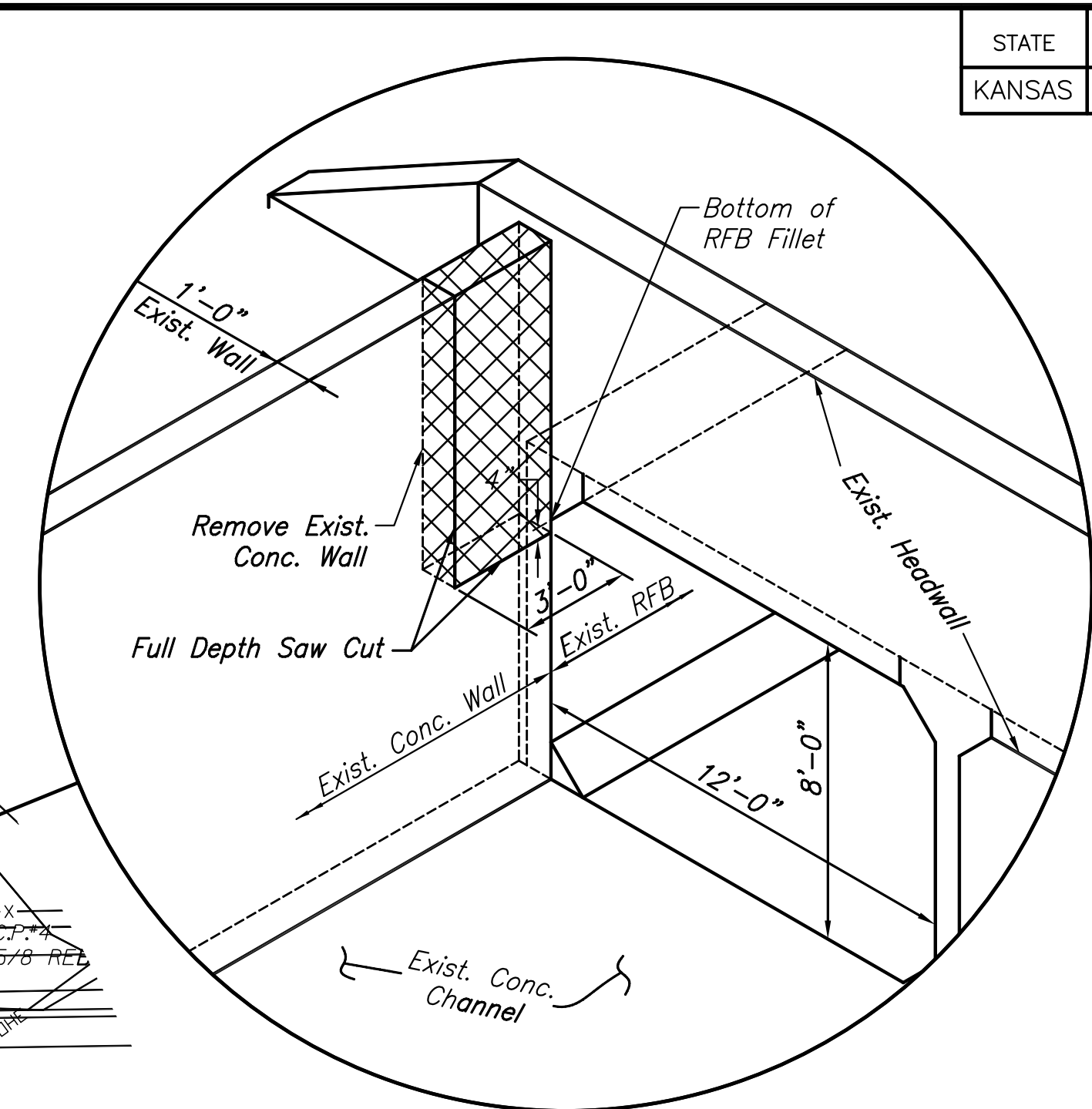
STATE	PROJECT NO.	YEAR	SHEET NO.	TOTAL SHEETS
KANSAS	87 N-0612-01	2015	37	84



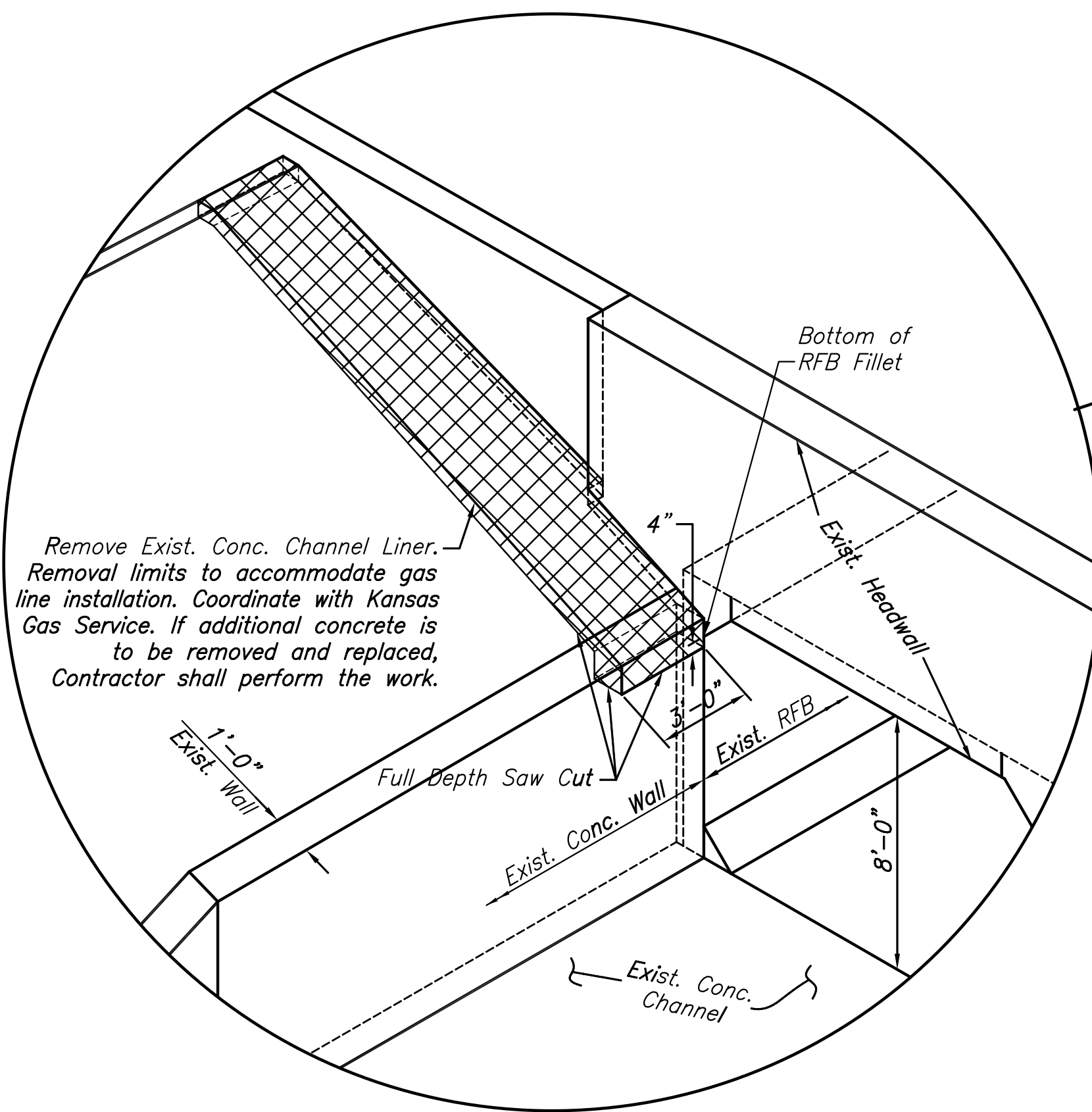
CONSTRUCTION PLANS FOR
21ST STREET BRIDGE AT DERBY REFINERY
 WICHITA, KANSAS



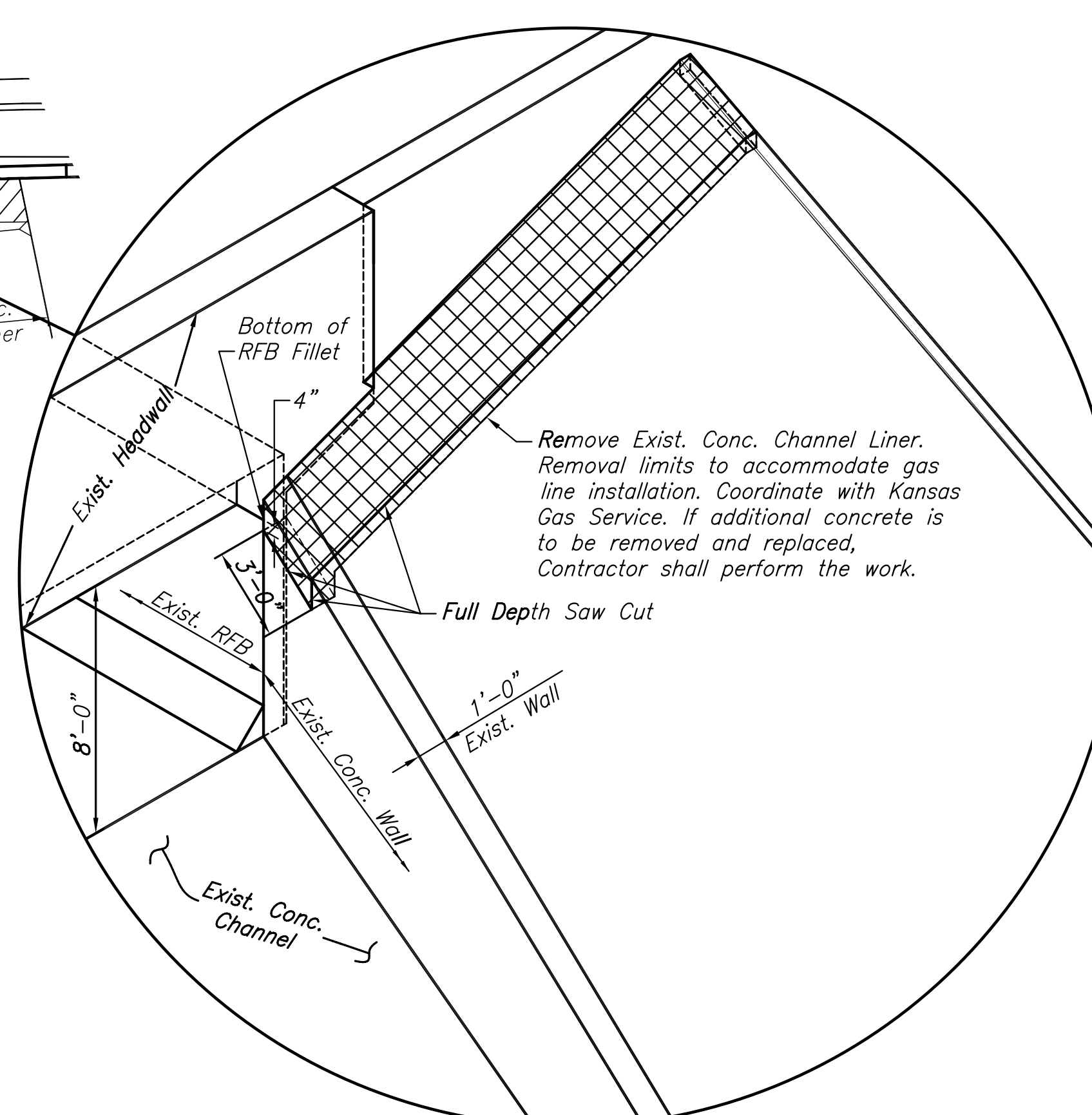
ISOMETRIC VIEW C
(NORTHWEST CORNER, LOOKING SOUTHWEST)



ISOMETRIC VIEW D
(NORTHEAST CORNER, LOOKING SOUTHWEST)



ISOMETRIC VIEW A
(SOUTHWEST CORNER, LOOKING NORTHWEST)



ISOMETRIC VIEW B
(SOUTHWEST CORNER, LOOKING NORTHEAST)

LEGEND

Phase 1 Demolition

Phase 2 Demolition

NOTE: SEE SHEET 38 FOR NOTES AND SECTIONS REGARDING STAGED DEMOLITION OF EXISTING RFB FOR EACH PHASE.

NO IMPACT DEMOLITION ALLOWED.

©2015 MKEC Engineering All Rights Reserved www.mkec.com
 These drawings and their contents, including, but not limited to, all concepts, designs, & ideas are the exclusive property of MKEC Engineering (MKEC), and may not be used or reproduced in any way without the express consent of MKEC.

EXISTING BRIDGE DEMOLITION PLAN

PROJECT NO.	472-85120	
DATE	JULY 2015	
SCALE	#=#	
DESIGNED	DRAWN	CHECKED
KJS	WNJ	KJS

NO.	REVISION	DATE