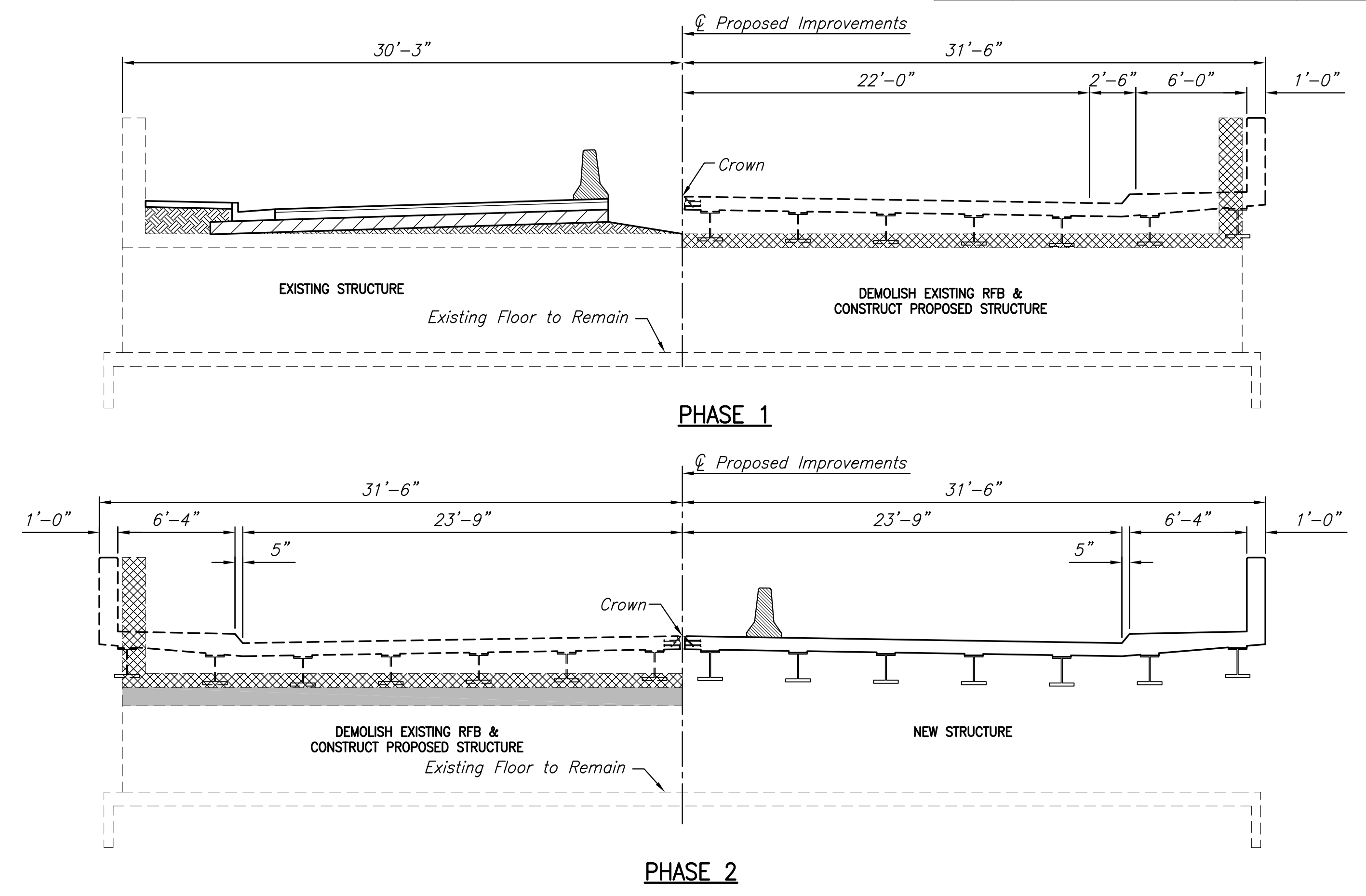


GENERAL DEMOLITION NOTES:

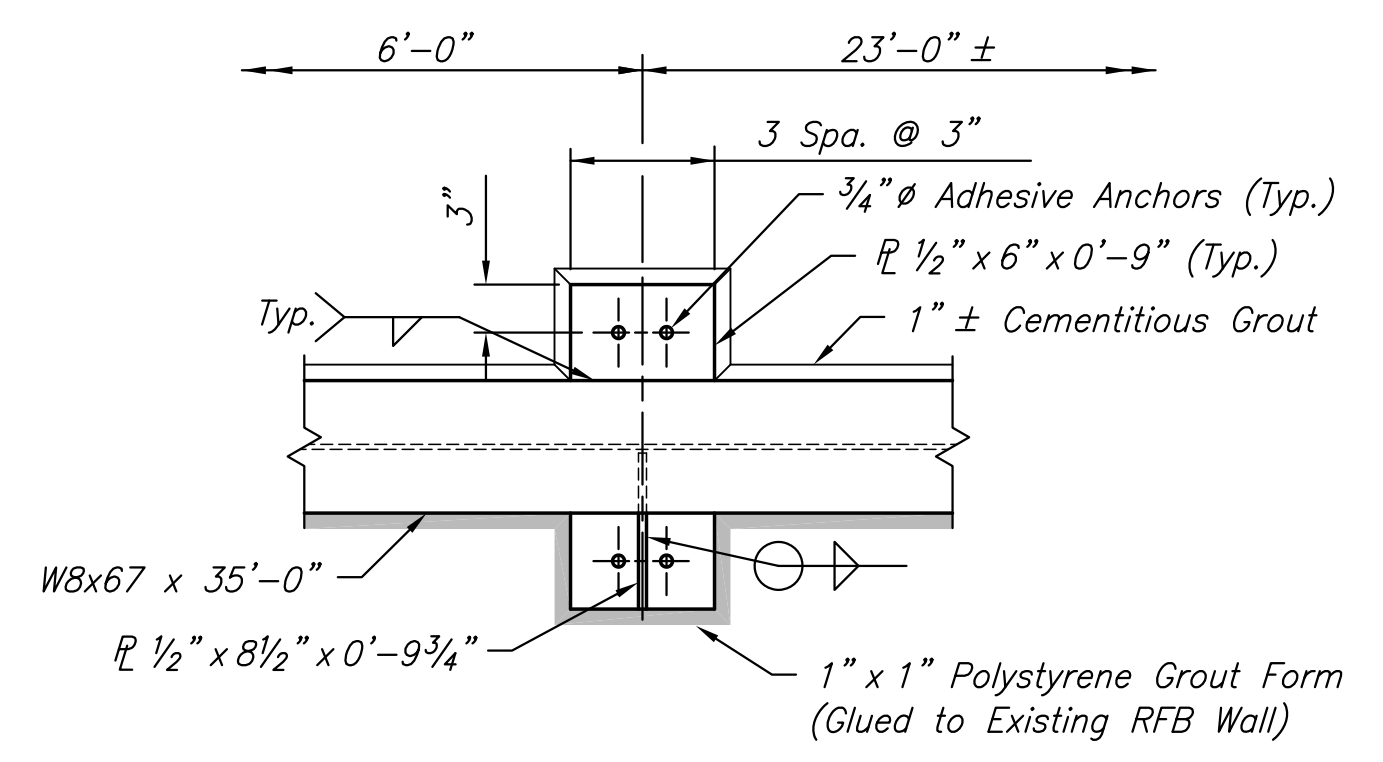
- PRIOR TO DEMOLITION, THE CONTRACTOR SHALL INSTALL TEMPORARY RFB WALL SUPPORTS, BETWEEN EXTERIOR RFB WALLS AND FLOOR TO REMAIN, AS SHOWN ON THIS SHEET. THE TEMPORARY RFB WALL SUPPORTS SHALL REMAIN IN PLACE AT ALL TIMES UNTIL THE END OF THE CURING PERIOD FOR ALL PROPOSED SUPERSTRUCTURE CONCRETE DURING EACH PHASE OF CONSTRUCTION.
- IMPACT DEMOLITION IS NOT PERMITTED ON ANY PORTION OF THE EXISTING STRUCTURE TO BE REMOVED.
- PRIOR TO EXECUTING ANY STAGE OF DEMOLITION, THE CONTRACTOR SHALL SUPPORT THE PORTION OF THE EXISTING STRUCTURE TO BE REMOVED DURING THAT STAGE. IT IS THE CONTRACTOR'S RESPONSIBILITY TO PREVENT DAMAGE TO THE PORTIONS OF THE STRUCTURE LABELED TO REMAIN DURING DEMOLITION. IF, IN THE ENGINEER'S OPINION, ANY DAMAGE IS CAUSED BY IMPROPER METHODS OR INADEQUATE SUPPORT, REPAIR OR REPLACEMENT OF ANY PORTION OF THE EXISTING STRUCTURE TO REMAIN WILL BE AT THE CONTRACTOR'S EXPENSE. THIS INCLUDES ALL LABOR, MATERIALS, AND EQUIPMENT ASSOCIATED WITH REPAIR. THIS WILL INCLUDE THE COST OF ALL MEASURES REQUIRED FOR THE HANDLING OF GROUND WATER AND SOILS ENCOUNTERED DURING REPAIRS, AS OUTLINED IN THE SPECIAL PROVISION "307 - SOIL EXCAVATION AND GROUNDWATER MANAGEMENT PLAN".
- THE CONTRACTOR SHALL PERFORM FULL-DEPTH SAW CUTS, ONLY IN LOCATIONS REQUIRED TO EXECUTE THE STAGES OF DEMOLITION AS OUTLINED ON THIS SHEET.
- PRIOR TO STAGE 3 OF DEMOLITION, THE CONTRACTOR SHALL PERFORM A FULL-DEPTH, VERTICAL SAW CUT NO FARTHER THAN 6" FROM THE CENTERLINE OF PROPOSED IMPROVEMENTS ON BOTH INTERIOR WALLS TO BE REMOVED.
- WHEN CURING PERIOD FOR PROPOSED SUPERSTRUCTURE CONCRETE IS COMPLETE, REMOVE TEMPORARY RFB WALL SUPPORT, GRIND ANCHOR BOLTS FLUSH WITH RFB WALLS, AND REMOVE GROUT PADS.
- THE INSTALLATION AND REMOVAL OF THE "TEMPORARY RFB WALL SUPPORT" FOR ALL PHASES IS PAID FOR AS "SHORING, TEMPORARY", WHICH SHALL INCLUDE ALL EQUIPMENT, LABOR, AND MATERIALS TO COMPLETE THE WORK SHOWN.
- DEMOLITION SHOWN HERE IS PAID FOR AS "REMOVAL OF EXISTING STRUCTURES". SEE KDOT STANDARD SPECIFICATIONS.

SUMMARY OF REMOVAL ITEMS (For Information Only)	
Phase 1	
Remove existing Channel Liner at SE corner of bridge (See Sheet 37)	
Remove existing Channel Liner at SW corner of bridge (See Sheet 37)	
Execute Demolition Stages 1-4 on the south portion of the Exist. RFB (See Sheet 37 & details on this sheet)	
Phase 2	
Remove existing Channel Liner at NE corner of bridge (See Sheet 37)	
Remove existing Channel Liner at NW corner of bridge (See Sheet 37)	
Execute Demolition Stages 1-4 on the north portion of the Exist. RFB (See Sheet 37 & details on this sheet)	

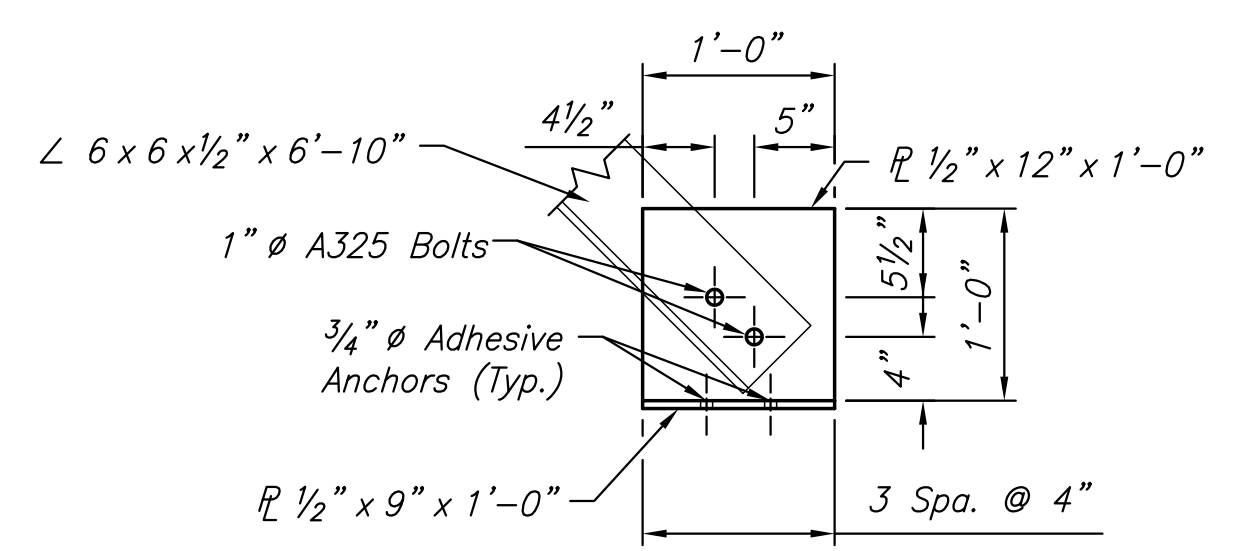
RECAPITULATION OF QUANTITIES		
Bid Item	Quantity	Unit
Removal of Existing Structures	1	L.S.
Shoring, Temporary	1	L.S.



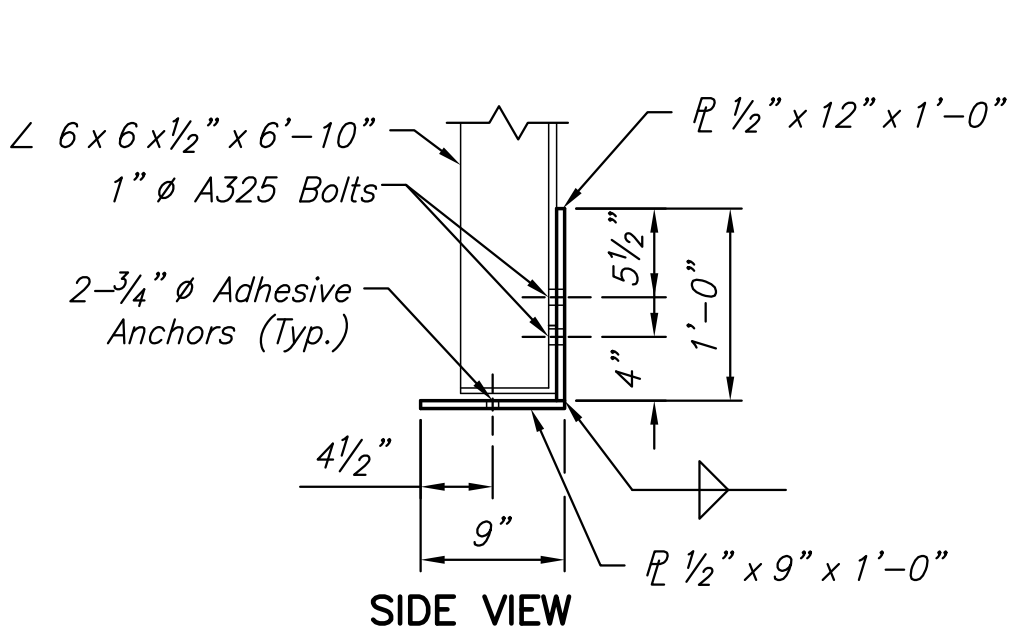
NO IMPACT DEMOLITION ALLOWED



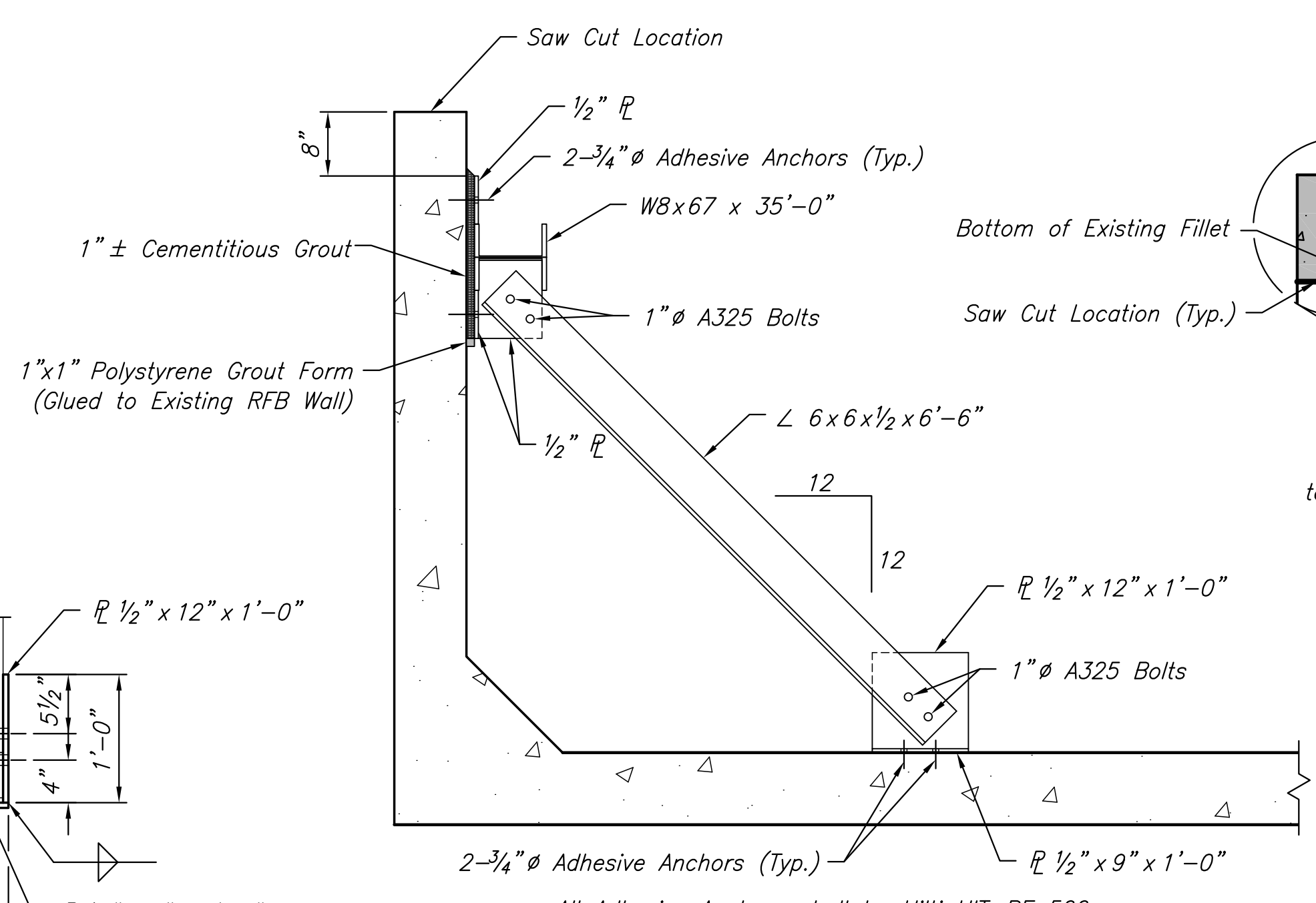
BRACING CONNECTION DETAIL (WALL)
SCALE: 1" = 1'



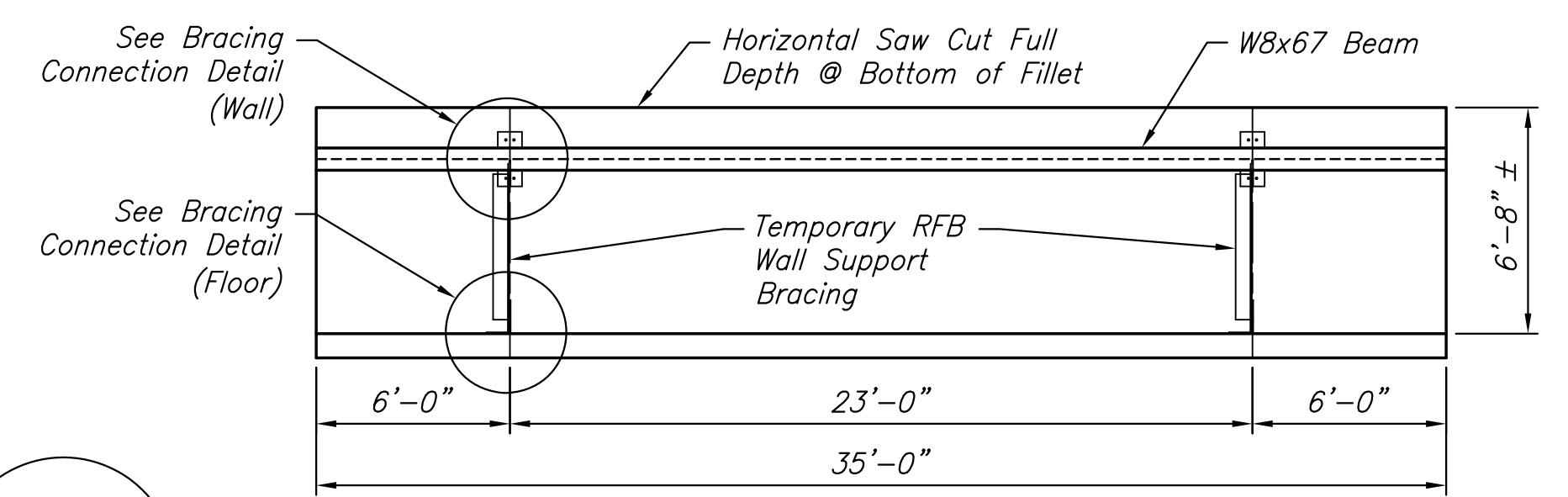
BRACING CONNECTION DETAIL (FLOOR)
SCALE: 1" = 1'



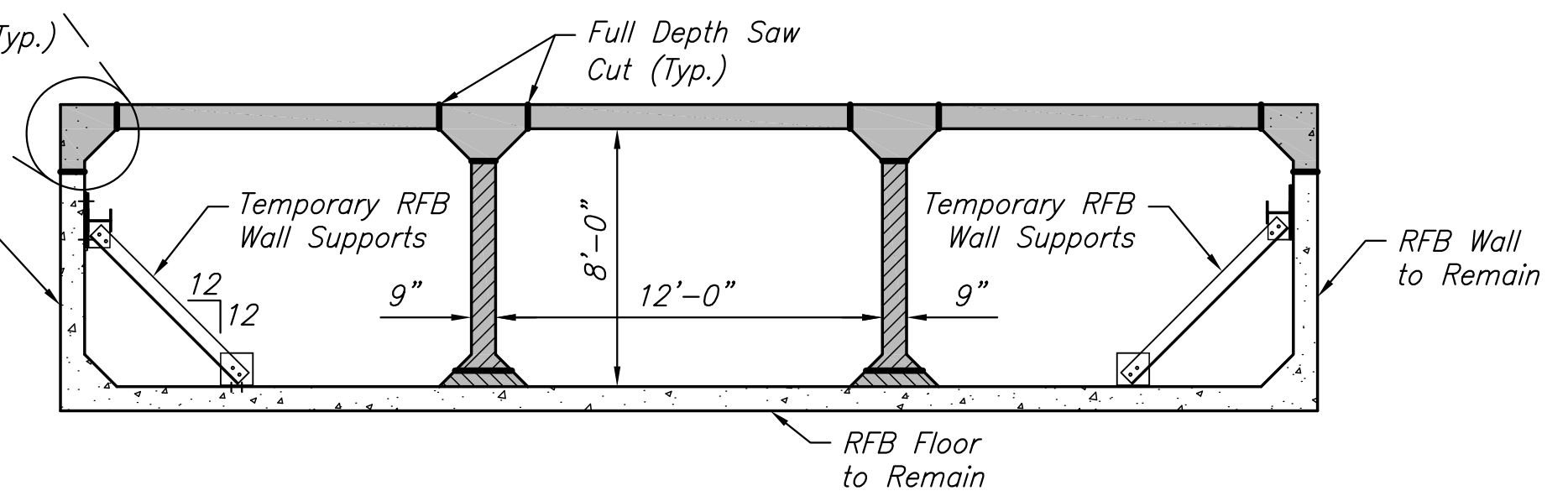
SIDE VIEW



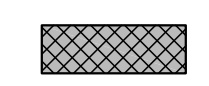

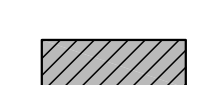

TEMPORARY RFB WALL SUPPORT
SCALE: 3/4" = 1'



TEMPORARY WALL SUPPORT ELEVATION
SCALE: 1" = 5'



DEMOLITION OF EXISTING 3-12'x8' RFB TYPICAL SECTION
SCALE: 1" = 5'

-  Stage 1 - Saw Cut & Remove Top Slab Between Fillets
-  Stage 2 - Saw Cut & Remove Top Fillets and portions of Exterior Walls as shown (See Abutment Joint Section, Sheet 53)
-  Stage 3 - Saw Cut & Remove Interior Walls
-  Stage 4 - Grind Remaining Portion of Interior Walls & Fillets Flush With RFB Floor

©2015 MKEC Engineering
All Rights Reserved
www.mkec.com
These drawings and their contents, including, but not limited to, all concepts, designs, & lists are the exclusive property of MKEC Engineering (MKEC), and may not be used or reproduced in any way without the express consent of MKEC.

EXISTING BRIDGE DEMOLITION SECTIONS & NOTES

PROJECT NO.	472-85120	
DATE	JULY 2015	
SCALE	N/A	
DESIGNED	KJS	
DRAWN	WNJ	
CHECKED	KJS	
NO.	REVISION	DATE
SHEET NO.		
38 OF 84		