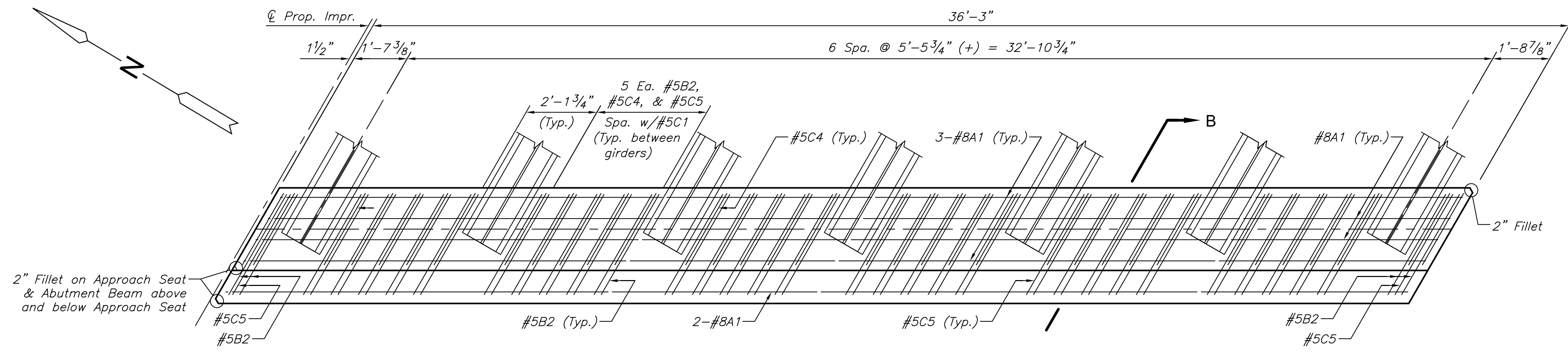


NO.	REVISION	DATE



ABUTMENT DIAPHRAGM PLAN (PHASE 1 BRIDGE - ABUT. NO. 1)

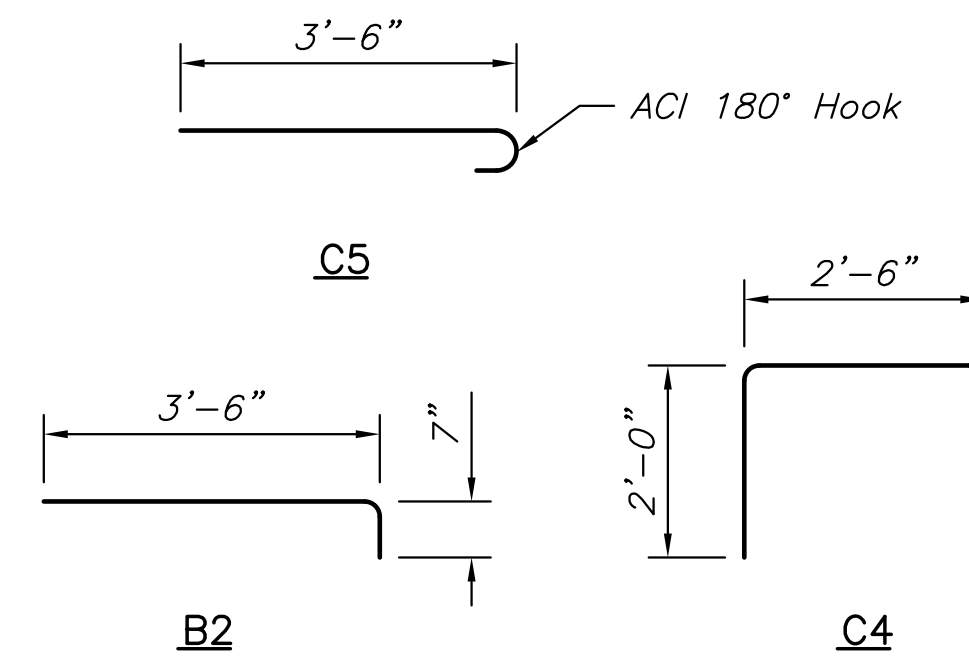
Measured along ϕ Abutment

BILL OF REINFORCING STEEL
(One Abutment Diaphragm Shown)

Epoxy Coated, Grade 60

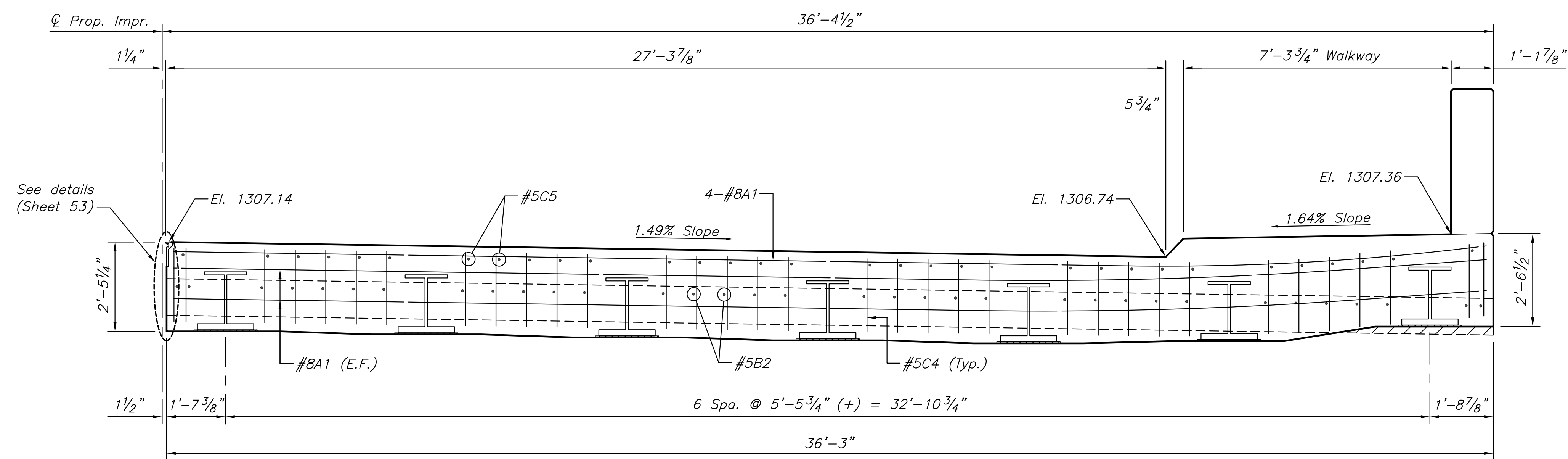
Δ See Bending Diagram

Bar No.	A1	Δ B2	Δ C4	Δ C5
No.	10	34	34	32
Size	#8	#5	#5	#5
Length	35'-10"	4'-1"	6'-6"	4'-1"



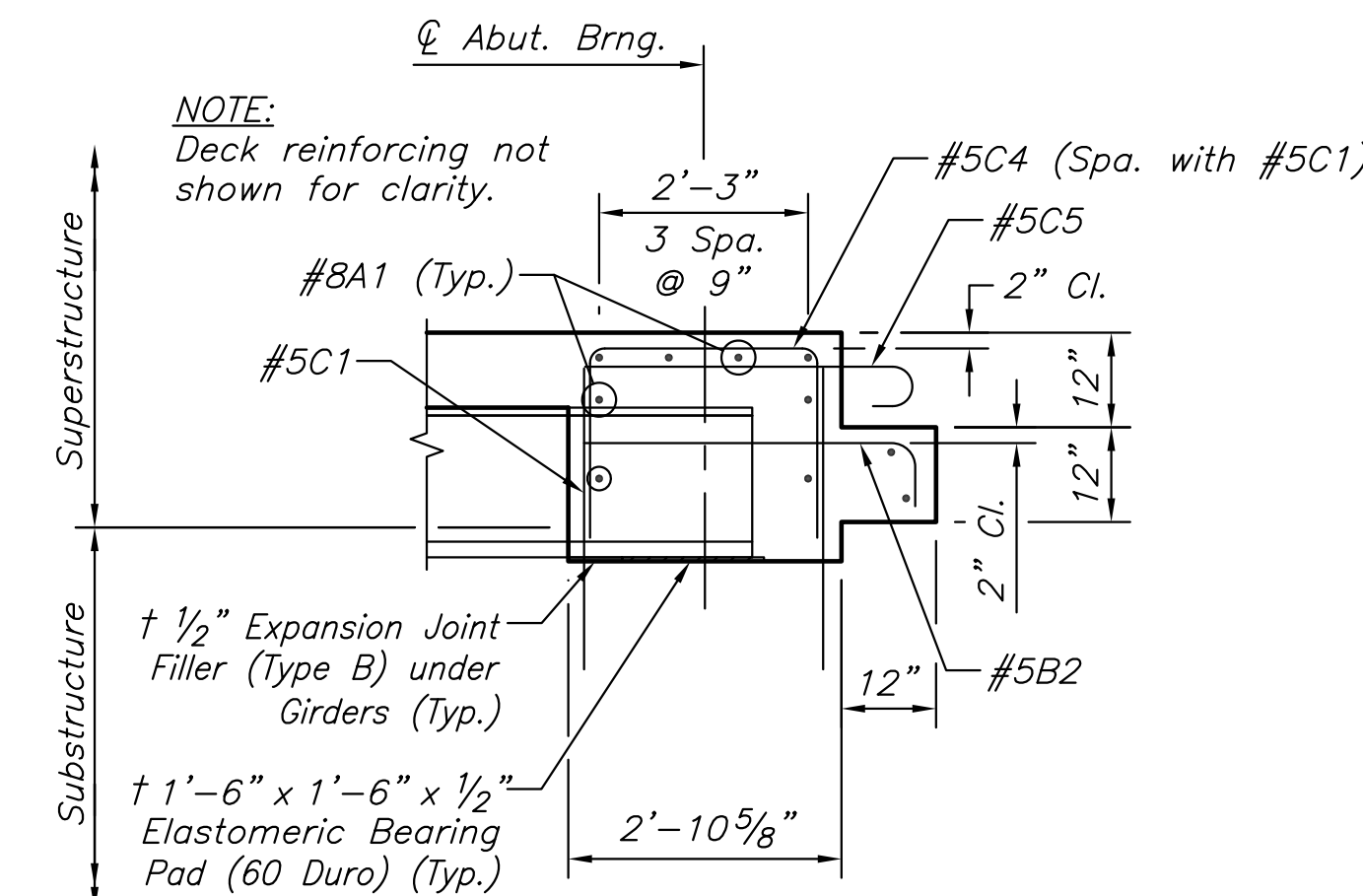
BAR BENDING DIAGRAMS

NOTE: All dimensions are out to out of bars.



ABUTMENT DIAPHRAGM ELEVATION (PHASE 1 BRIDGE - ABUT. NO. 1)

Measured along ϕ Abutment (Looking Forward Station)
Elevations shown at ϕ Abutment



ABUTMENT DIAPHRAGM SECTION 'B'

Measured along ϕ Bridge

† Type B Expansion Joint Filler and Elastomeric Bearing Pads shall be subsidiary to "Structural Steel (M 270M) (Gr 50W72)"

PLOT/EC: Tuesday, July 21, 2015 @ 10:18AM