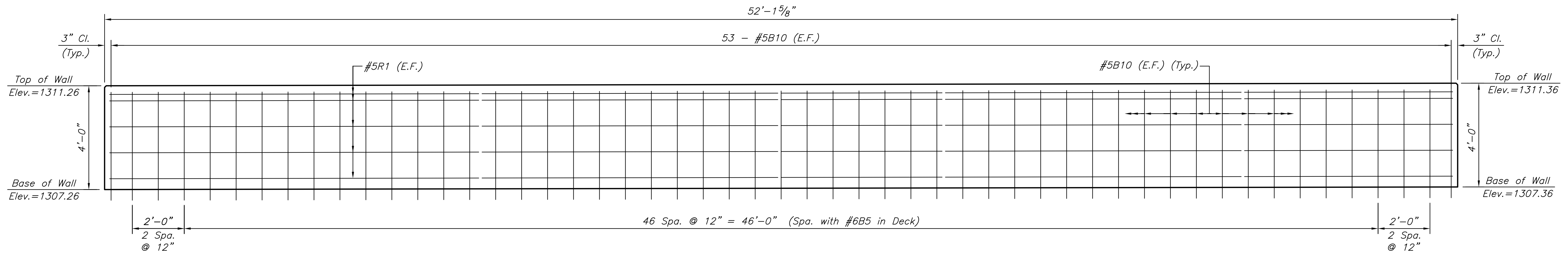
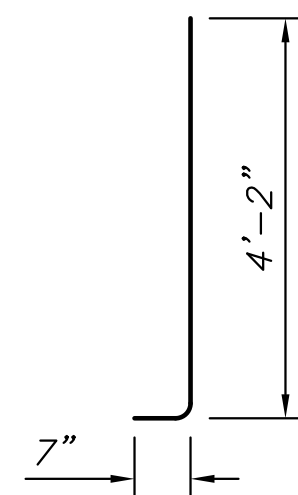


PLOTTED: Tuesday, July 21, 2015 @ 10:18AM



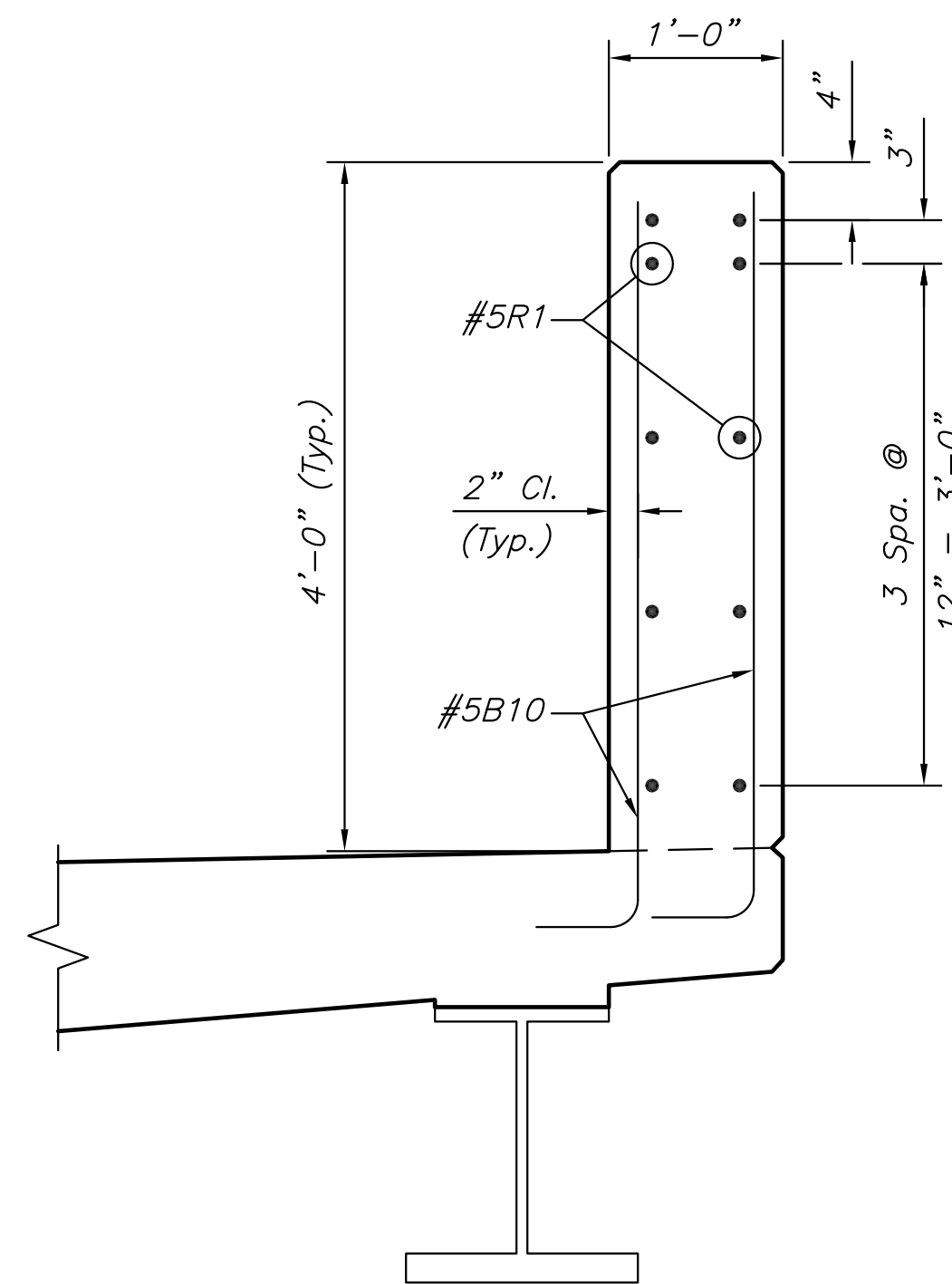
TRAFFIC RAIL ELEVATION (PHASE 1)
(Looking South at North Face of Rail)



B10

BAR BENDING DIAGRAM

NOTE: All dimensions are out to out of bars.



NOTE: Deck reinforcing not shown for clarity.

TRAFFIC RAIL SECTION (PHASE 1)
(Looking Forward Station)

BILL OF REINFORCING STEEL		
Epoxy Coated, Grade 60		
△ See Bending Diagram		
Bar	△ B10	R1
No.	106	10
Size	#5	#5
Length	4'-9"	51'-9"

CONSTRUCTION PLANS FOR
21ST STREET BRIDGE AT DERBY REFINERY
 WICHITA, KANSAS

©2013 MKEC Engineering All Rights Reserved www.mkec.com
 These drawings and their contents, including, but not limited to, all concepts, designs, & ideas are the exclusive property of MKEC Engineering (MKEC), and may not be used or reproduced in any way without the express consent of MKEC.

PHASE 1 BRIDGE TRAFFIC RAIL DETAILS

PROJECT NO.	87 N-0612-01	
DATE	JULY 2015	
SCALE	NO SCALE	
DESIGNED	DRAWN	CHECKED
KJS	DMU	KJS

NO.	REVISION	DATE