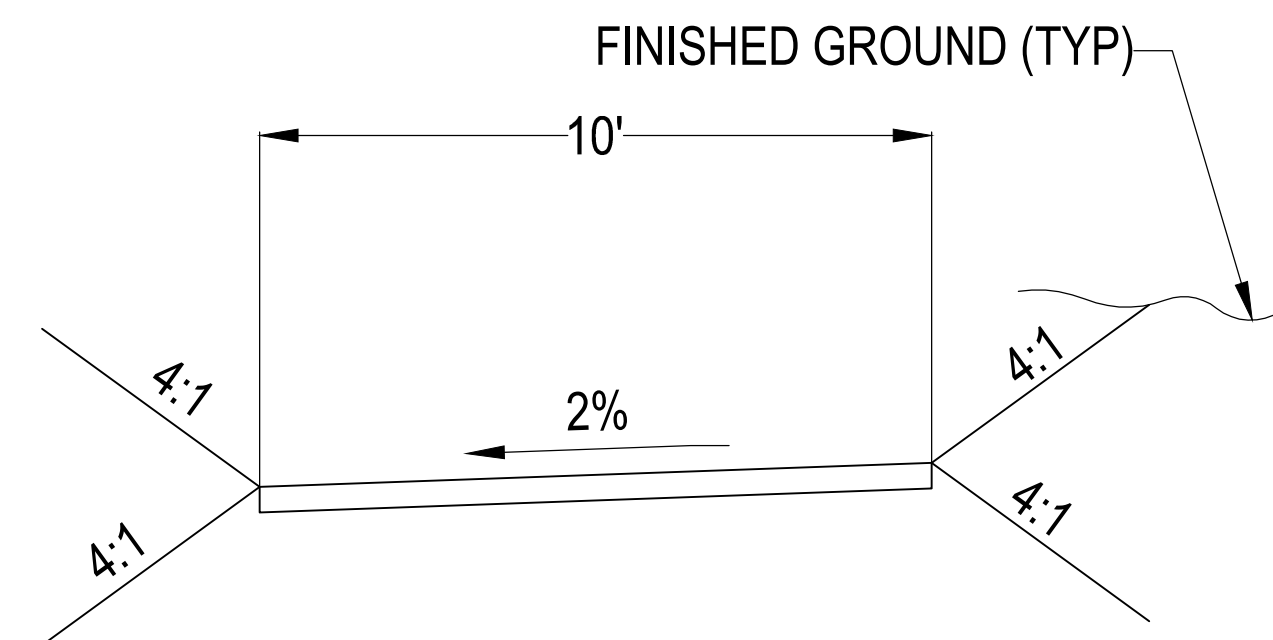
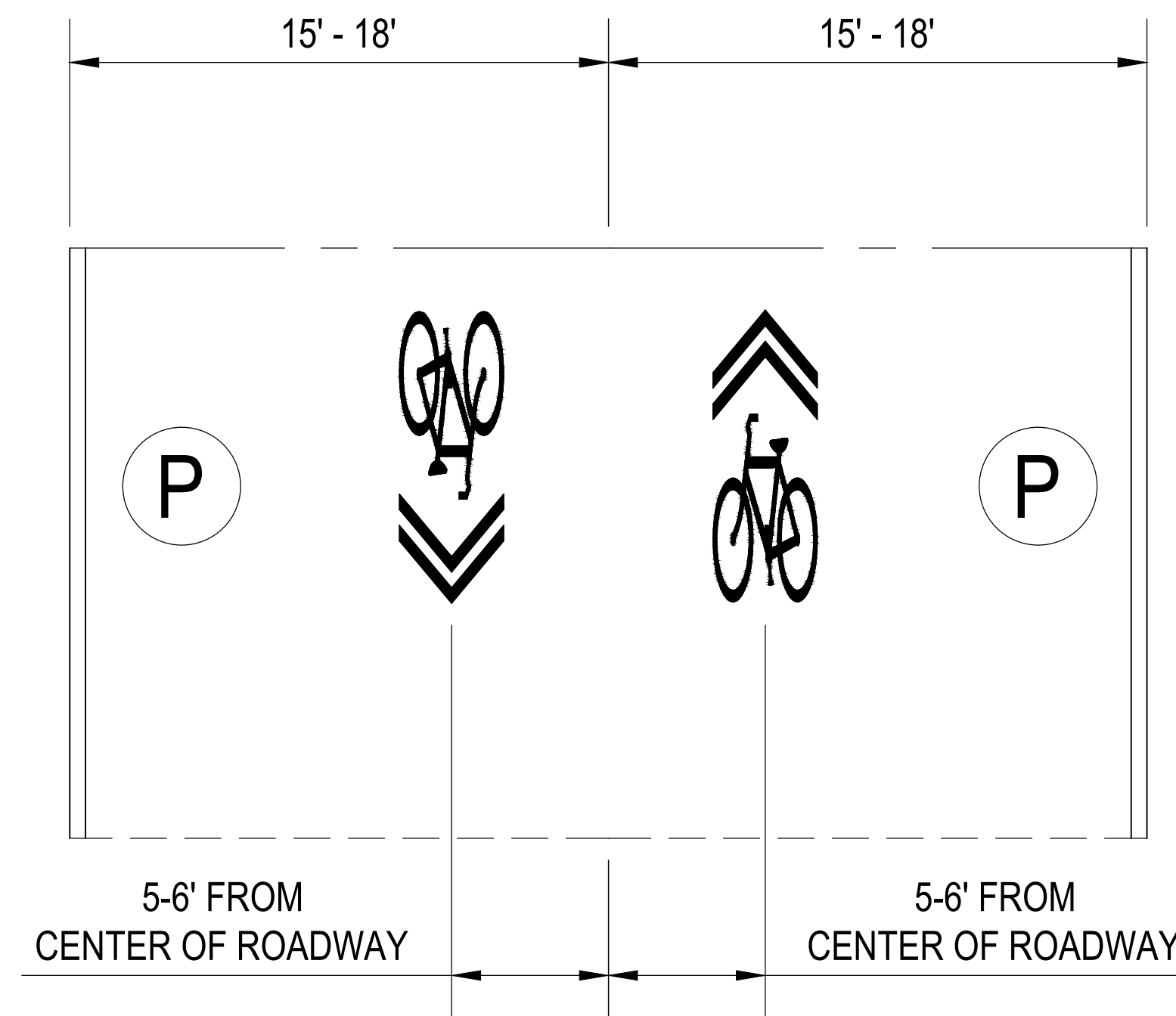


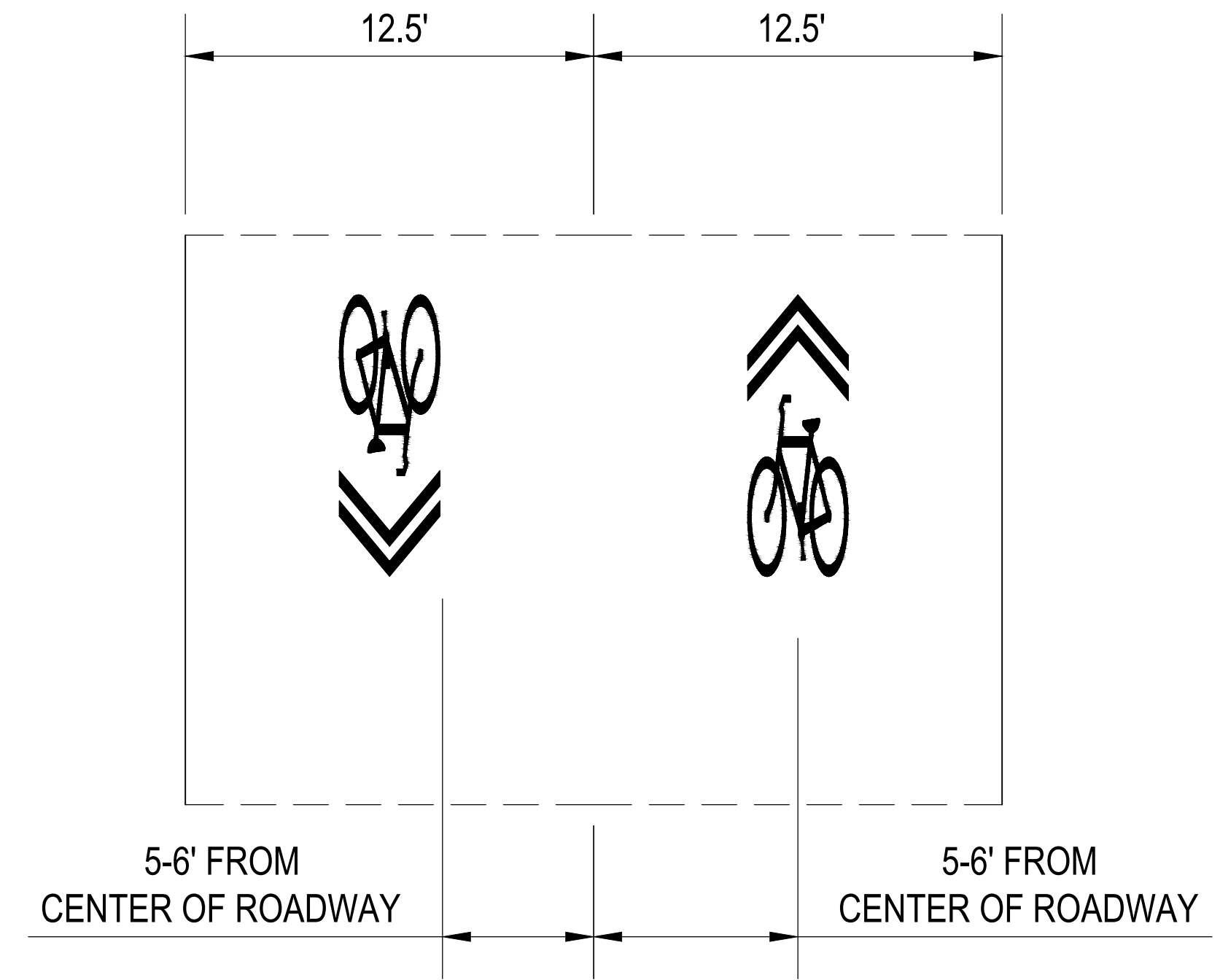
TYPICAL SHARED LANE MARKING PLACEMENT



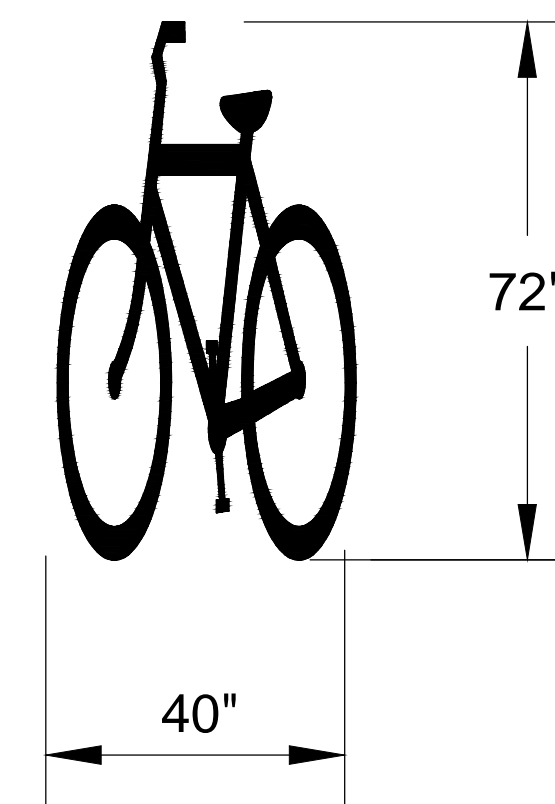
TYPICAL SIDEPATH SECTION



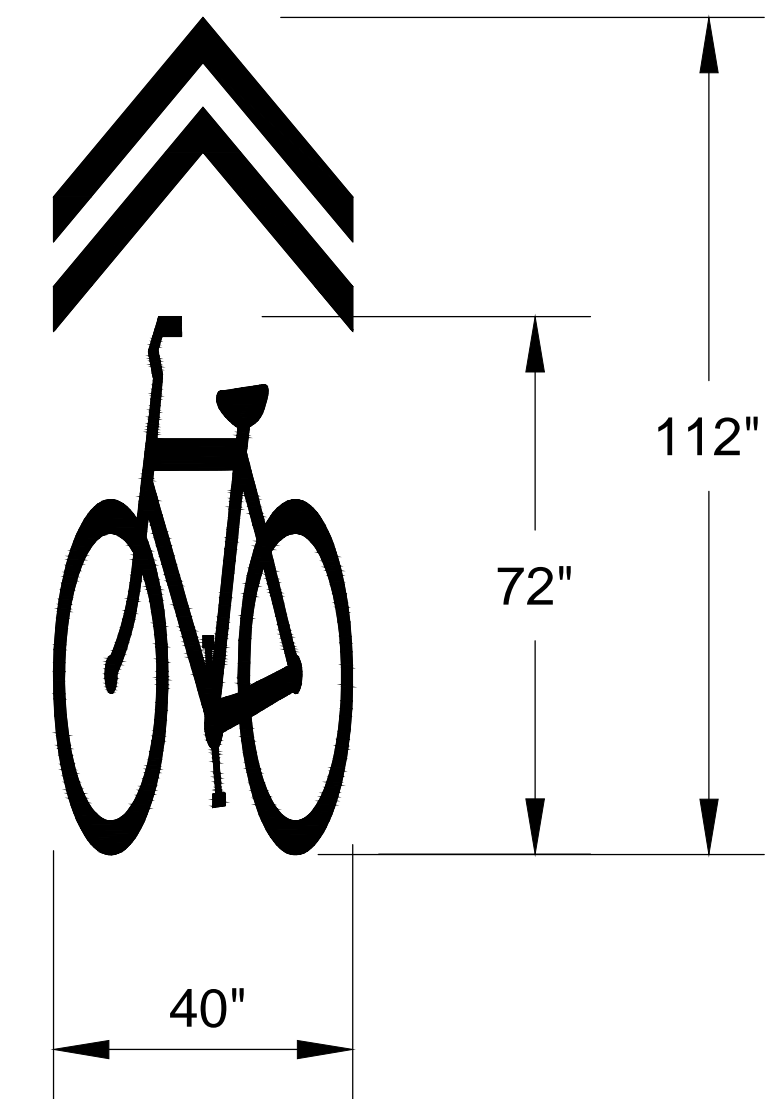
- N GLENEAGLES RD
- N 2ND STR
- N COUNTRY ACRES AV
- N EMERSON AV
- N REDBARN LN
- SCHOOL ST
- DENMARK ST
- N MORGANTOWN ST
- N NORTHWEST PKWY
- N SUNCREST AV
- N BRUNSWICK ST
- N WESTPORT ST



S WOODCHUCK ST



BIKE CROSSING BIKE



SHARED LANE MARKING

SEAL:



CITY OF WICHITA, KANSAS
**WOODCHUCK
 BICYCLE BOULEVARD**

DATE: 11/11/2014 DESIGNED BY: PW DRAWN BY: JH CHECKED BY: PW

REVISED

PROJECT NUMBER
 87 TE-0617-01

FINAL
 PLANS

SHEET NUMBER:
 DS204