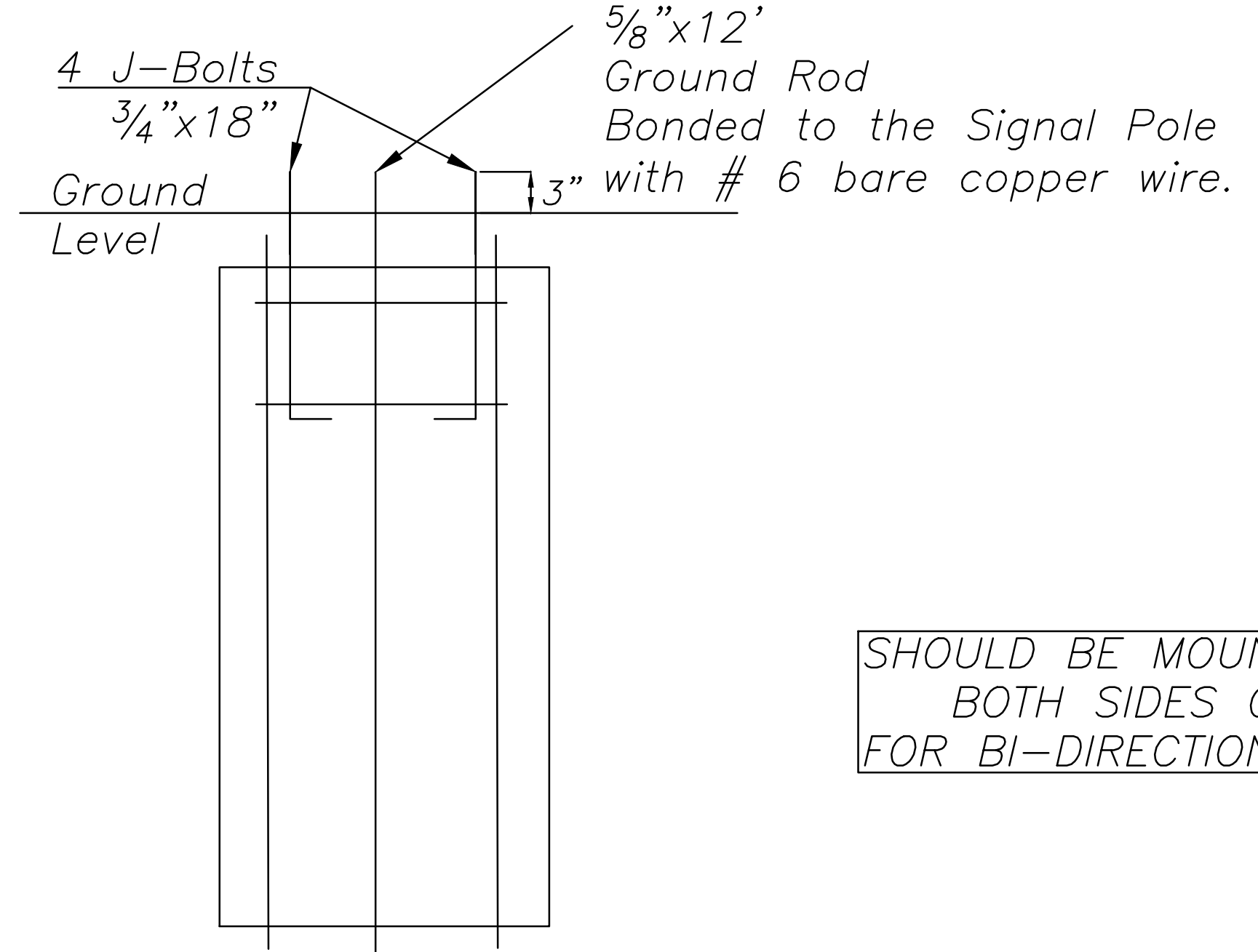
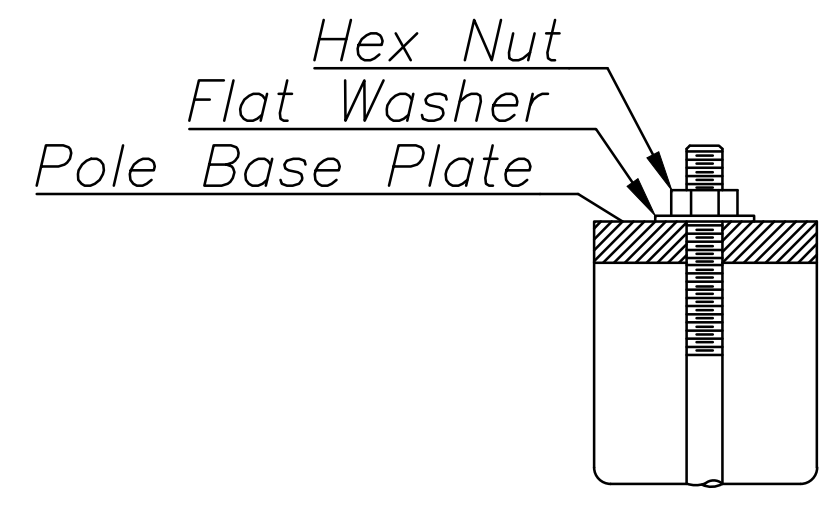


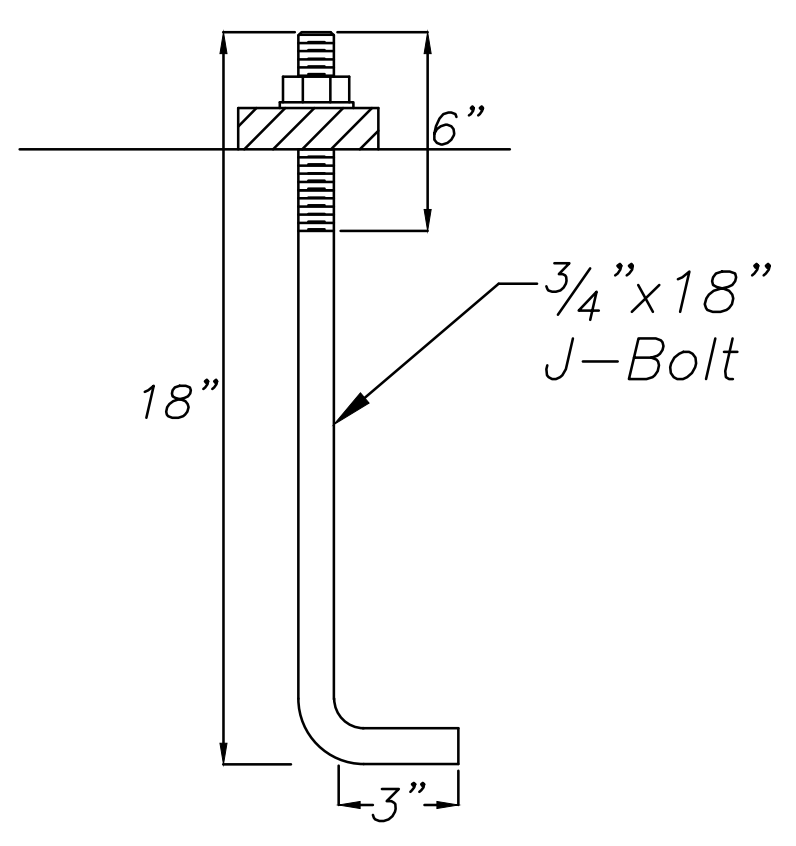
Bolt Circle 13.5" on Center  
#6 Rebar 42" x 9 pcs.



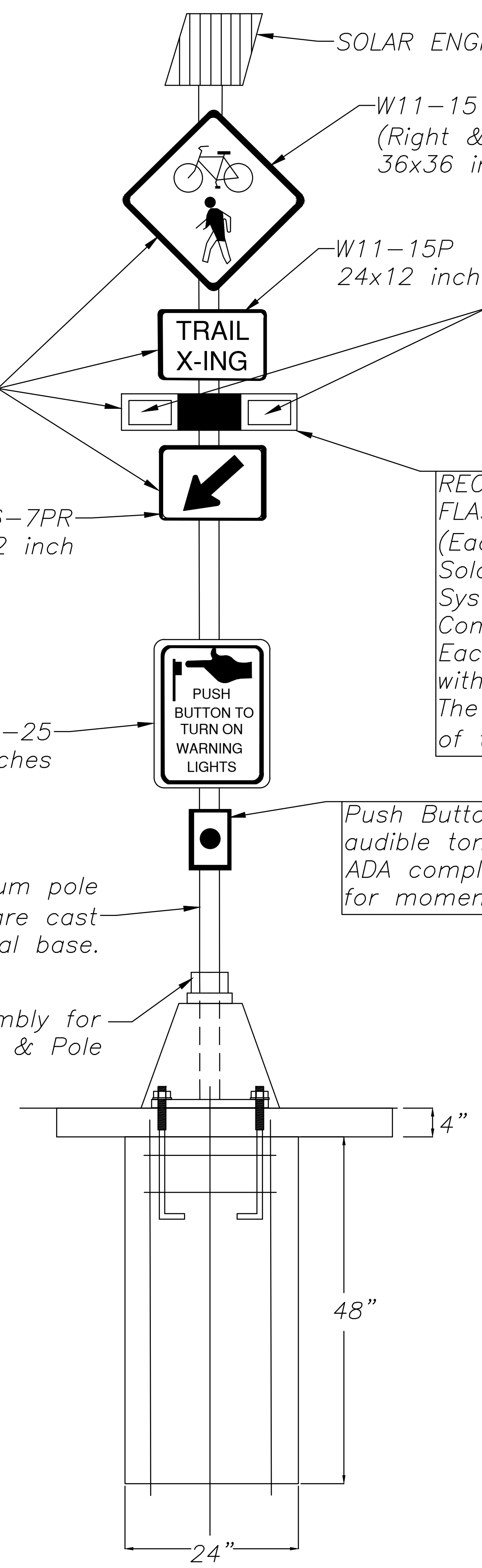
#6 Rebar 60" x 4 pcs.  
#4 Rebar Cross bars weld or wire.



Use Keystone "No-Weld Number 1 Anti-Seize Compound" on all bolts & nuts.



SHOULD BE MOUNTED ON BOTH SIDES OF POST FOR BI-DIRECTIONAL USE.



SAE standard J578, Yellow lights, intensity Shall meet the minimum specifications of SAE standard J595 Class 1.

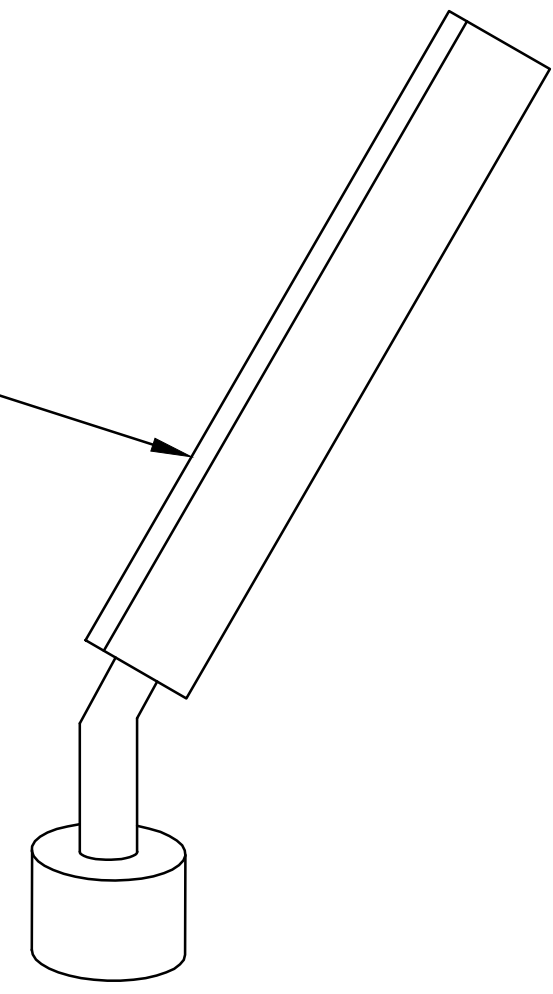
RECTANGULAR RAPID FLASHING BEACON.  
(Each Unit Shall consist of a Self-Contained Solar Engine that houses the Energy Management System, On Board User Interface, Wireless Communications, Batteries and Solar Panel. Each unit shall include two RRFB Light Bars with side emitting pedestrian conformation lights. The system shall conform to all provisions of the MUTCD, Interim Approval IA-11.)

Push Buttons Shall have an LED indicator with an audible tone with Piezo control and shall be ADA compliant and MUTCD-2009 4E compliant for momentary operation.

General Notes :

All Dimensions Shown Are Typical Only. Actual Dimensions Shall Be Supplied By The Manufacturer.  
Spliced Connections Shall Be Pointed Upward to Avoid Moisture Collection.  
All Wiring Must meet the Current Applicable Electrical Codes.

**SOLAR PANEL & ENGINE :**  
(1) 10 watt solar panel no larger than the footprint of the housing with hinged top to access the user interface & batteries.  
(2) 7Ah sealed valve regulated lead acid batteries with quick connectors to facilitate faster installation (non-proprietary & readily available from multiple suppliers)  
Batteries Shall not need to be charged by a battery charger prior to installation.  
Solar panel and system Shall be 12 volt DC.



REVISION DATE: SEPTEMBER 2014

STANDARD SOLAR PANEL PEDESTAL & CONCRETE BASE DETAIL SHEET

CITY ENGINEER  
**Brian Coon, P.E.**

PROJECT NUMBER	OCA NUMBER	DATE
CITY ENGINEER'S OFFICE CITY HALL - SEVENTH FLOOR 455 NORTH MAIN STREET WICHITA, KANSAS 67202-1620 (316) 268-4501		SHEET <b>35 of 59</b>