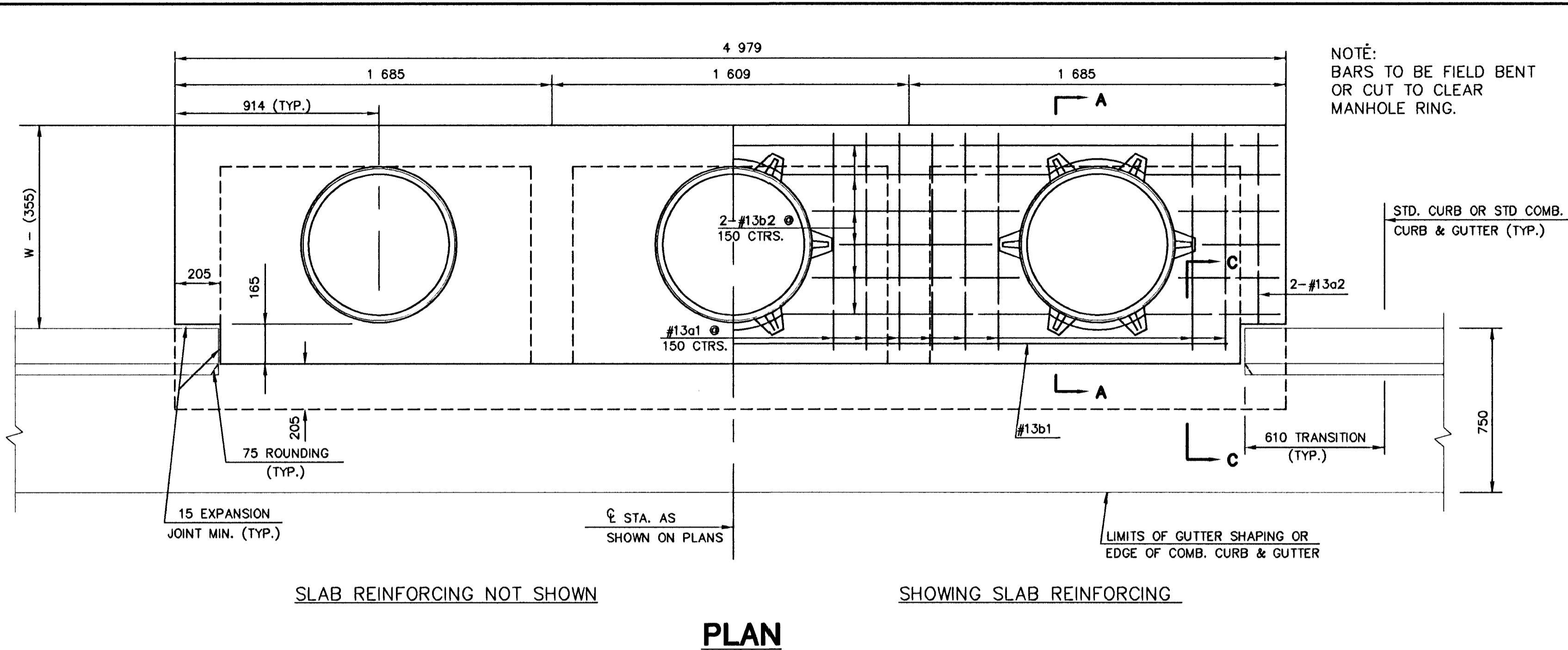
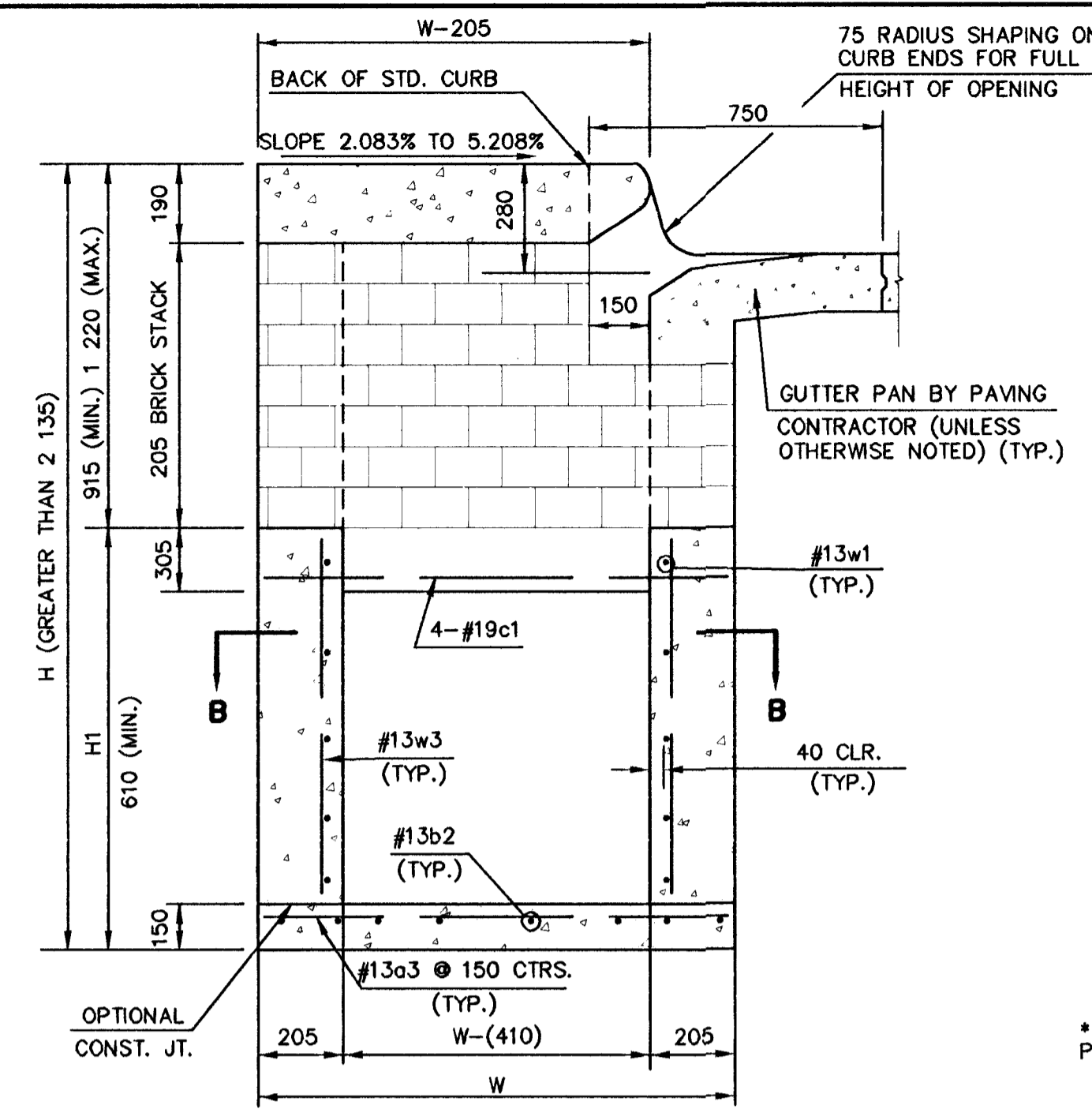


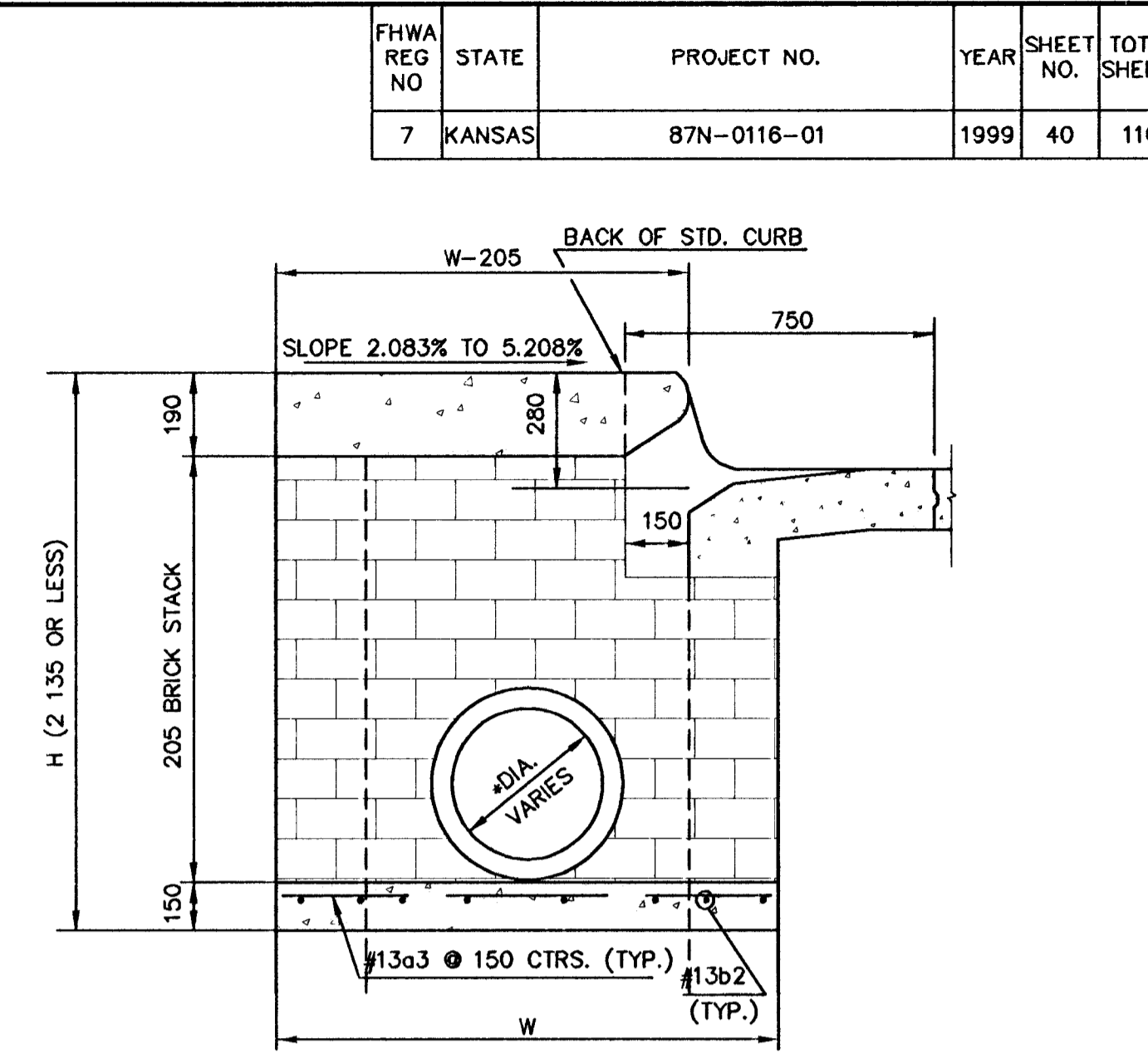
FHWA REG NO	STATE	PROJECT NO.	YEAR	SHEET NO.	TOTAL SHEETS
7	KANSAS	87N-0116-01	1999	40	110



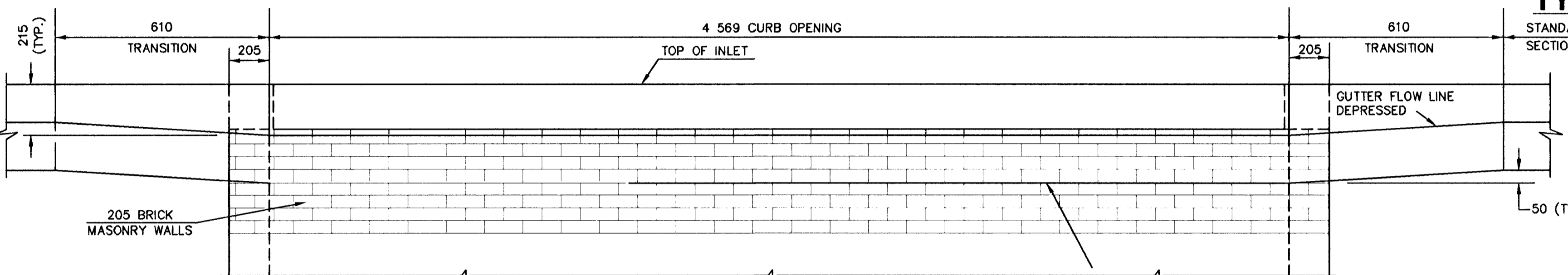
PLAN



TYPICAL INLET SECTION AT CENTER WALL (REINFORCED CONCRETE WALLS)



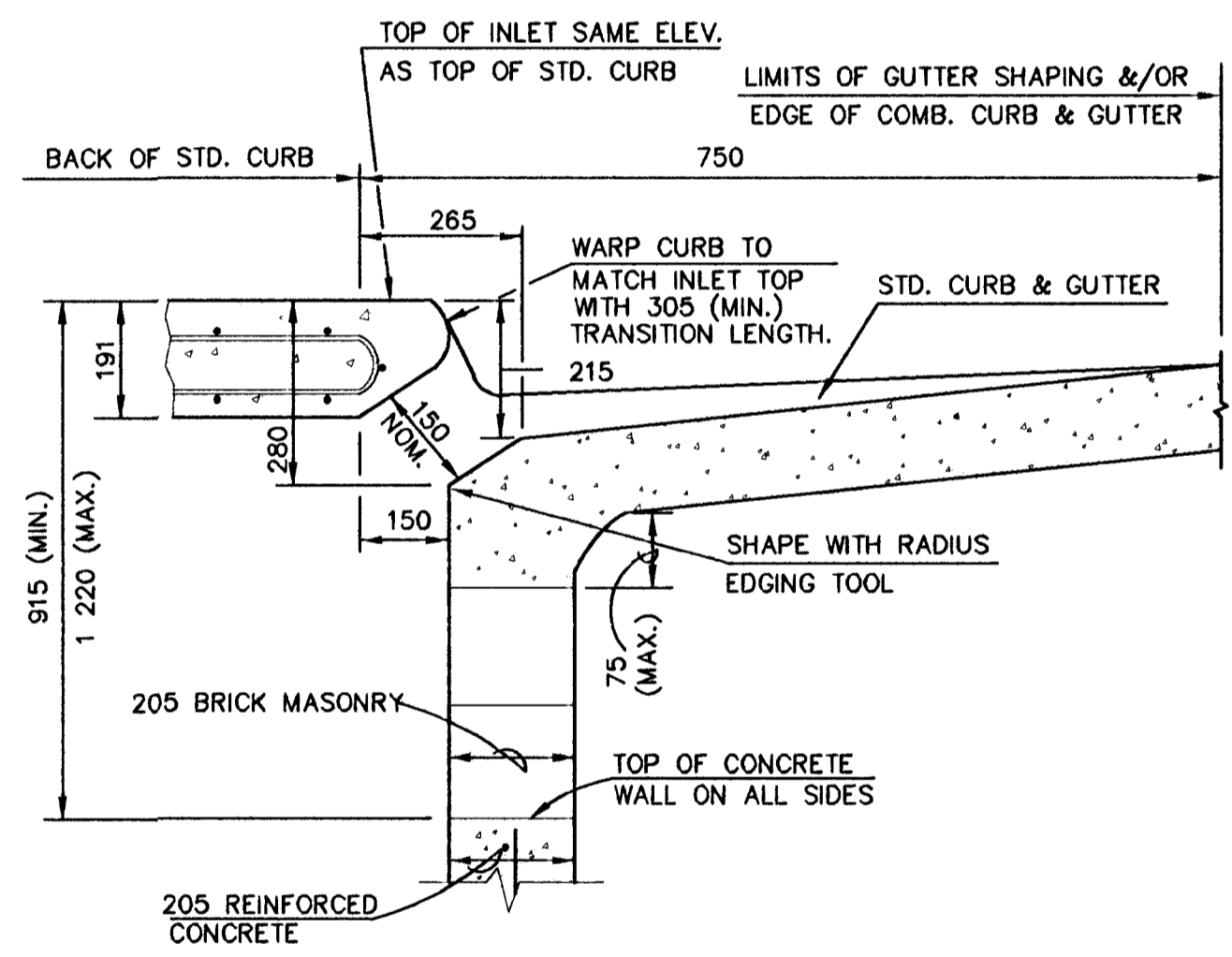
TYPICAL INLET SECTION AT CENTER WALL (MASONRY WALLS)



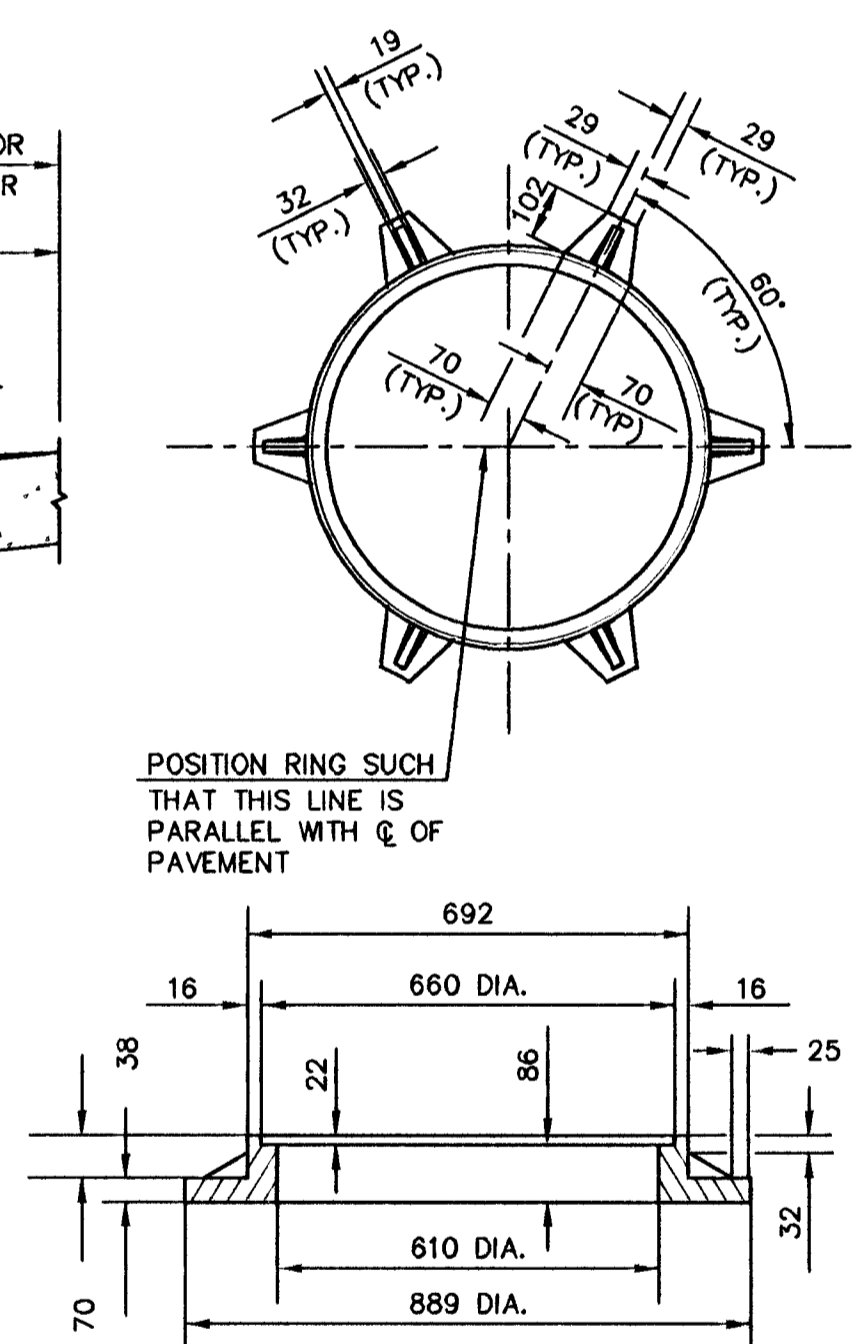
ELEVATION

GENERAL NOTES

- CONCRETE SHALL BE C.O.W. STANDARD PAVING MIX. ALL EXPOSED EDGES SHALL BE FINISHED WITH AN EDGING TOOL. REINFORCING BARS SHALL BE FIELD BENT OR CUT TO CLEAR PIPES. ALL BARS ARE #13 BARS AT 150 mm SPACING AND SHALL HAVE A MINIMUM CLEARANCE OF 40 mm UNLESS OTHERWISE NOTED. FLOORS OF INLET SHALL BE SHAPED WITH 8 SACK SAND MIX CONCRETE TO INCREASE HYDRAULIC EFFICIENCY SUCH THAT THE INLET WILL BE SELF CLEANING BETWEEN ALL INLET AND/OR OUTFALL PIPE(S). THE CONTRACTOR WILL BE REQUIRED TO CONSTRUCT 205 mm BRICK MASONRY WALLS BETWEEN THE CONCRETE INLET BASE AND TOP ON THIS INLET WHEN H = 2 135 mm OR LESS AND W = 1 930 mm OR LESS.
- THE ENDS OF ALL PIPES INSTALLED IN INLETS SHALL BE CUT OFF FLUSH WITH THE INSIDE FACE OF THE INLET WALL.

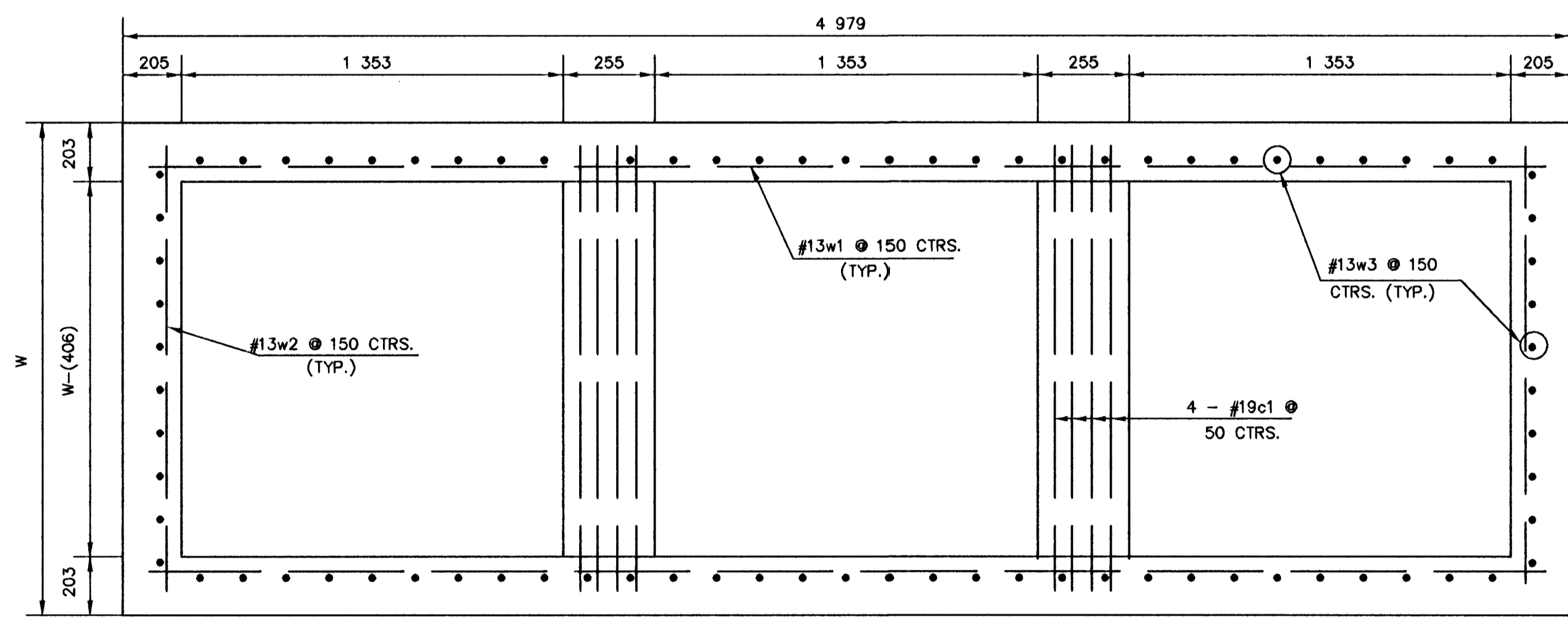


SECTION C-C

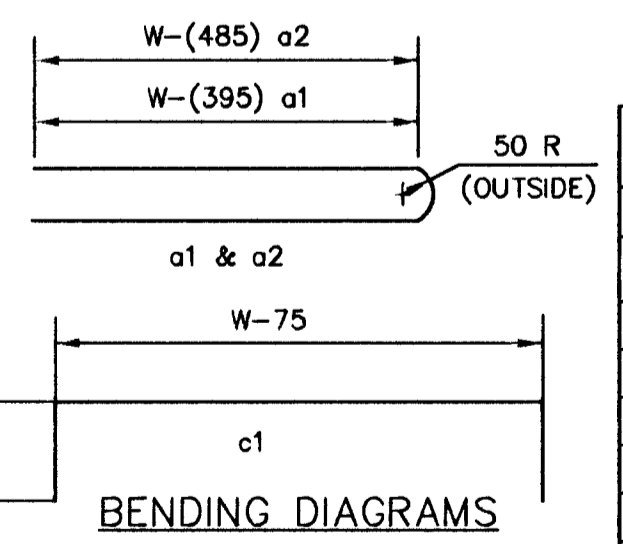


INLET FRAME

WT.=81.65 kg
SEE CITY OF WICHITA STANDARD MANHOLE FRAME AND COVER DETAIL SHEET FOR COVER DETAILS TO BE USED WITH INLET FRAME.



SECTION B-B



BENDING DIAGRAMS

SLAB AND FLOOR REINFORCING

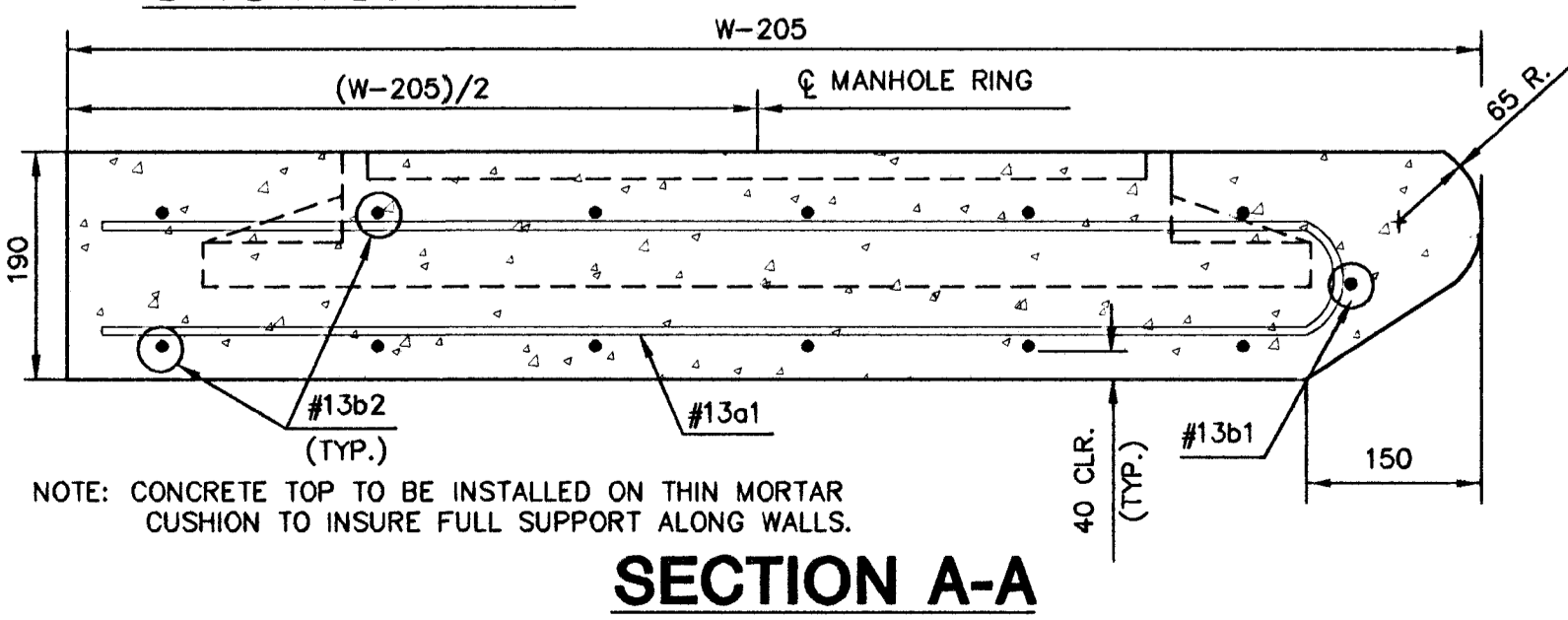
MARK	SIZE	W=1 321		W=1 626		W=1 930		W=2 235		W=2 540	
		NO.	LENGTH	NO.	LENGTH	NO.	LENGTH	NO.	LENGTH	NO.	LENGTH
a1	#13	20	2 015	20	2 625	20	3 230	20	3 840	20	4 450
a2	#13	2	1 830	2	2 440	2	3 050	2	3 660	2	4 265
a3	#13	33	1 245	33	1 550	33	1 855	33	2 160	33	2 465
b1	#13	1	4 495	1	4 495	1	4 495	1	4 495	1	4 495
**b2	#13	18	4 900	24	4 900	30	4 900	36	4 900	42	4 900

WALL REINFORCING

MARK	SIZE	W=1 321		W=1 626		W=1 930		W=2 235		W=2 540	
		NO.	LENGTH	NO.	LENGTH	NO.	LENGTH	NO.	LENGTH	NO.	LENGTH
c1	#19	8	1 855	8	2 160	8	2 465	8	2 770	8	3 075
w1	#13	①	4 900	①	4 900	①	4 900	①	4 900	①	4 900
w2	#13	①	1 245	①	1 550	①	1 855	①	2 160	①	2 465
w3	#13	②	③	②	③	②	③	②	③	②	③

** FIELD BEND OR CUT REINFORCING AS REQUIRED FOR CLEARANCE
 ① $2 \left(\frac{H-200}{150} + 1 \right)$
 ② $62 + 2 \left(\frac{W-410}{150} + 1 \right)$
 ③ H-(230)

STANDARD CURB INLET PRECAST TOPS			
W	PRE-CAST TOP SIZE	PIPE SIZE	m ³ CONC.
1 321	1 116 x 3 454 x 190	530 & SMALLER	± 0.63
1 626	1 421 x 3 454 x 190	600 & 750	± 0.83
1 930	1 725 x 3 454 x 190	900 & 1 050	± 1.03
2 235	2 030 x 3 454 x 190	1 200 & 1 350	± 1.23
2 540	2 335 x 3 454 x 190	1 500 & 1 675	± 1.43



SECTION A-A

NOTE: CONCRETE TOP TO BE INSTALLED ON THIN MORTAR CUSHION TO INSURE FULL SUPPORT ALONG WALLS.

REVISED: 12-21-1984

STANDARD TYPE 1 CURB INLET
INLET OPENING=152 x 4 573

OCTOBER, 1984

CITY OF WICHITA, KANSAS

Design BER	Checked by	Checked by
KJS	MWB	
Drawn by	Date	Date
		Job No.