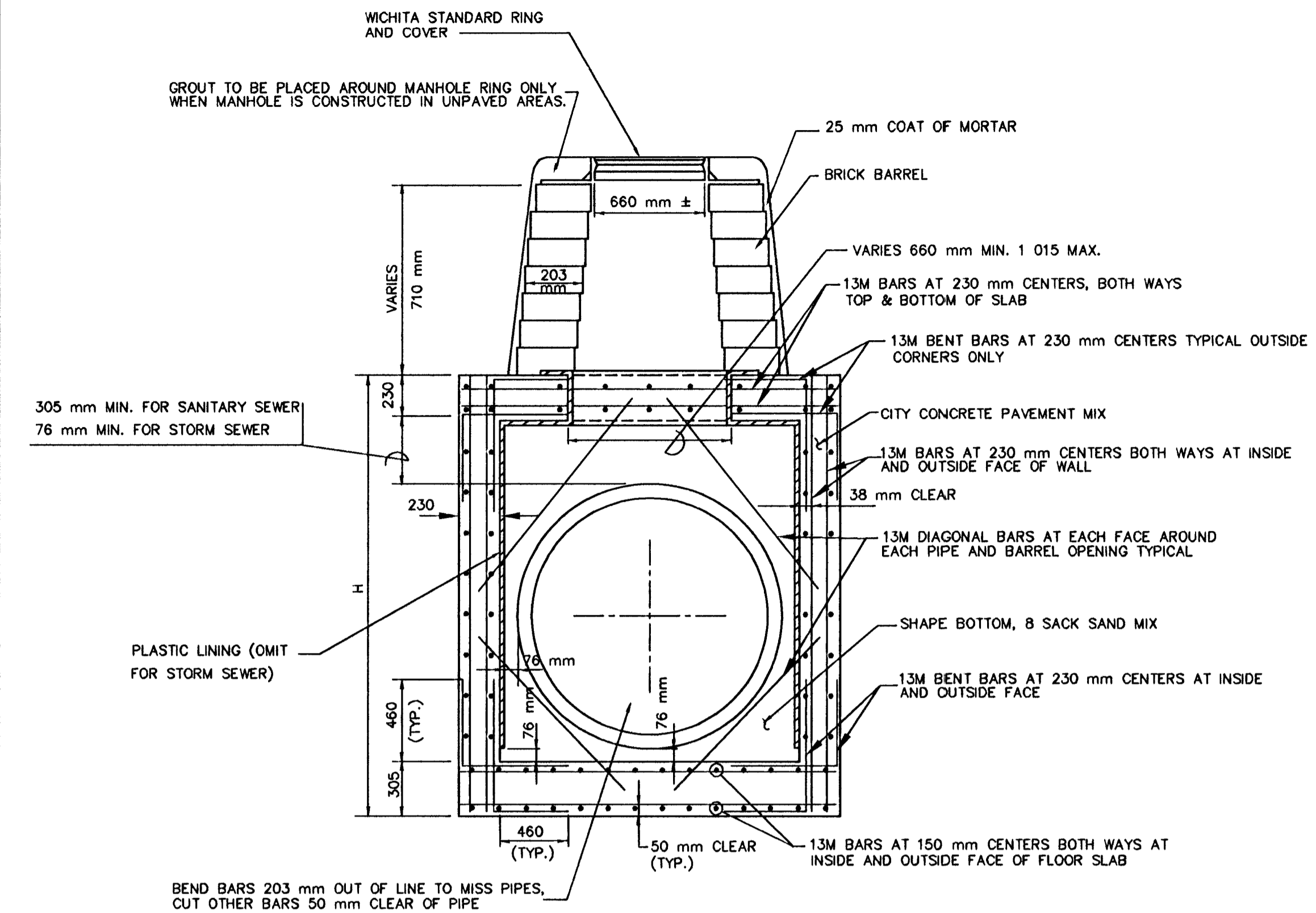


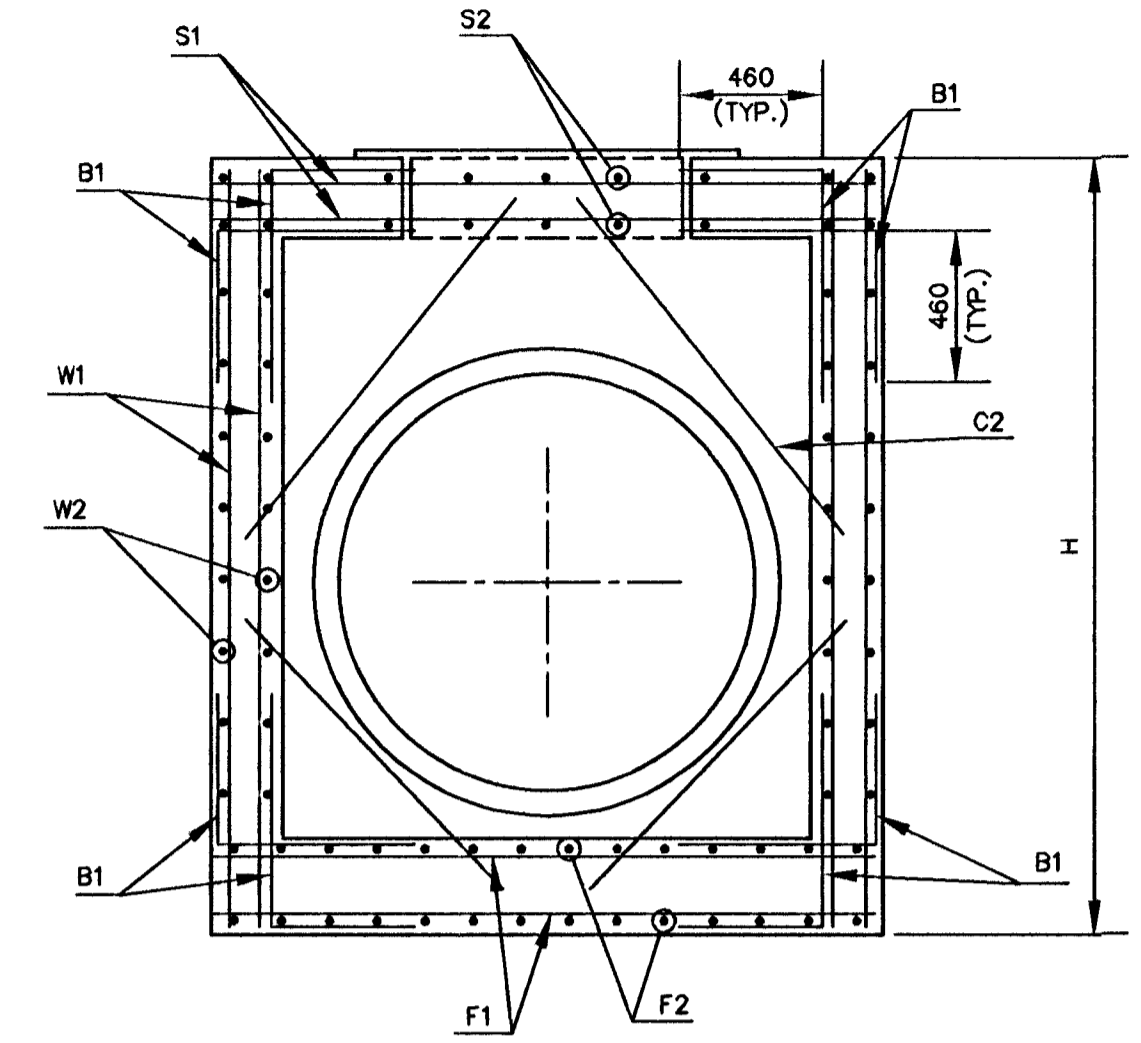
FHWA REG NO.	STATE	PROJECT NO.	YEAR	SHEET NO	TOTAL SHEETS
7	KANSAS	87N-0116-01	1999	42	110

DATE	
BY	
REFERENCES NOTED	
REFERENCES CHECKED	



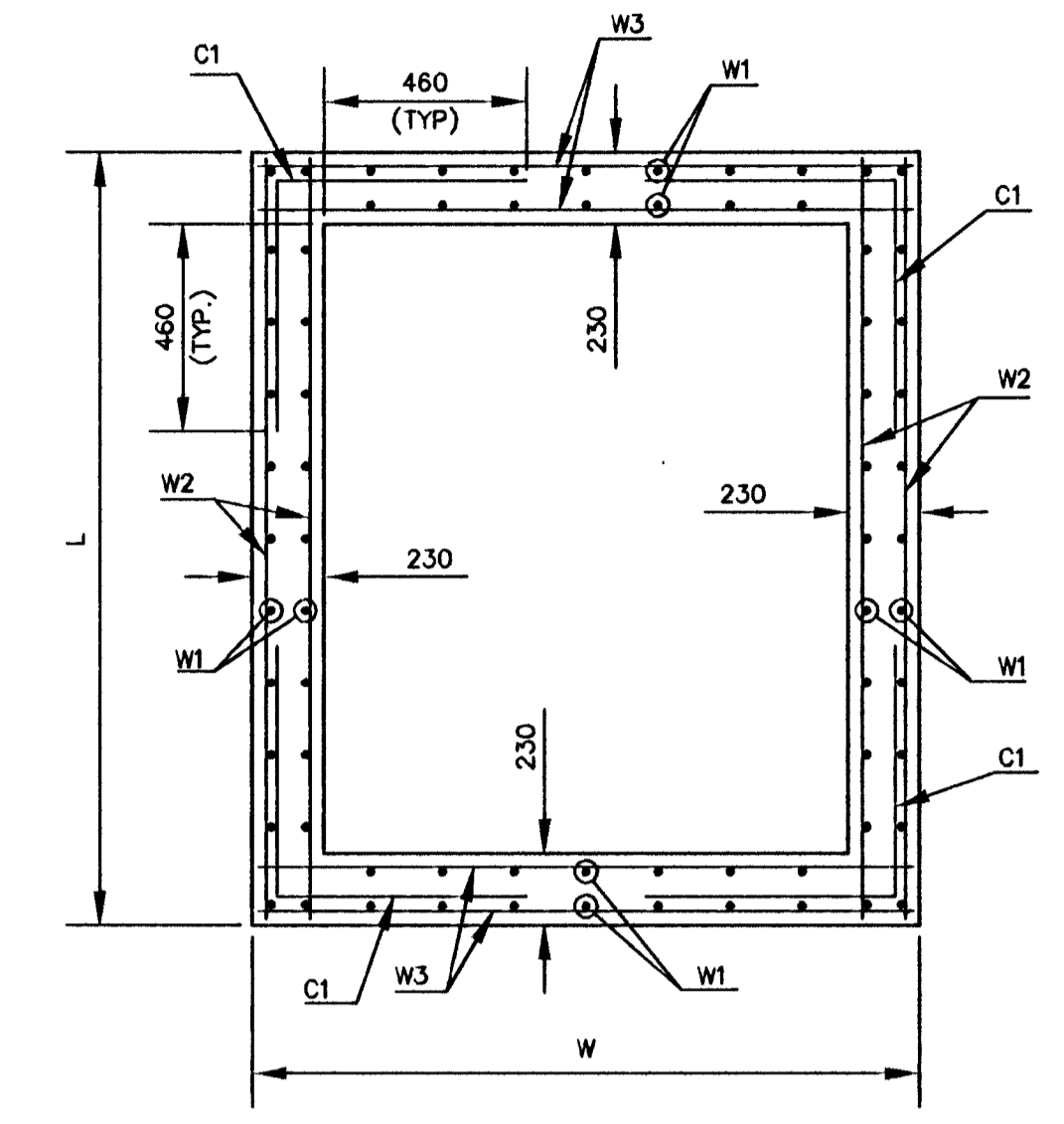
REINFORCED CONCRETE MANHOLE

DEPTH OF STACK: 0 mm TO 710 mm

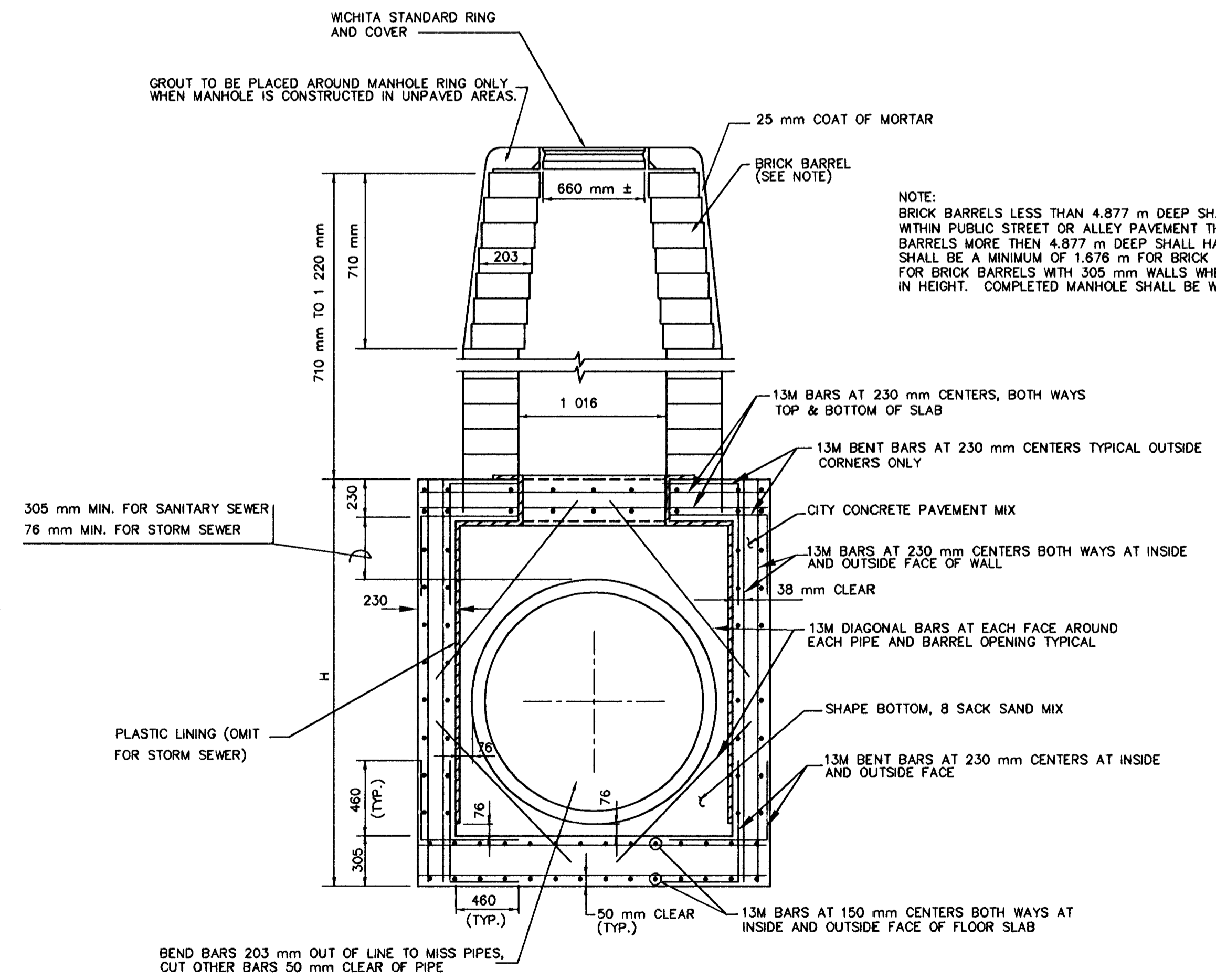


REINFORCED CONCRETE MANHOLE

BAR MARK DETAIL
SEE SHEET 43 FOR REINFORCING STEEL FOR INLETS AND MANHOLES



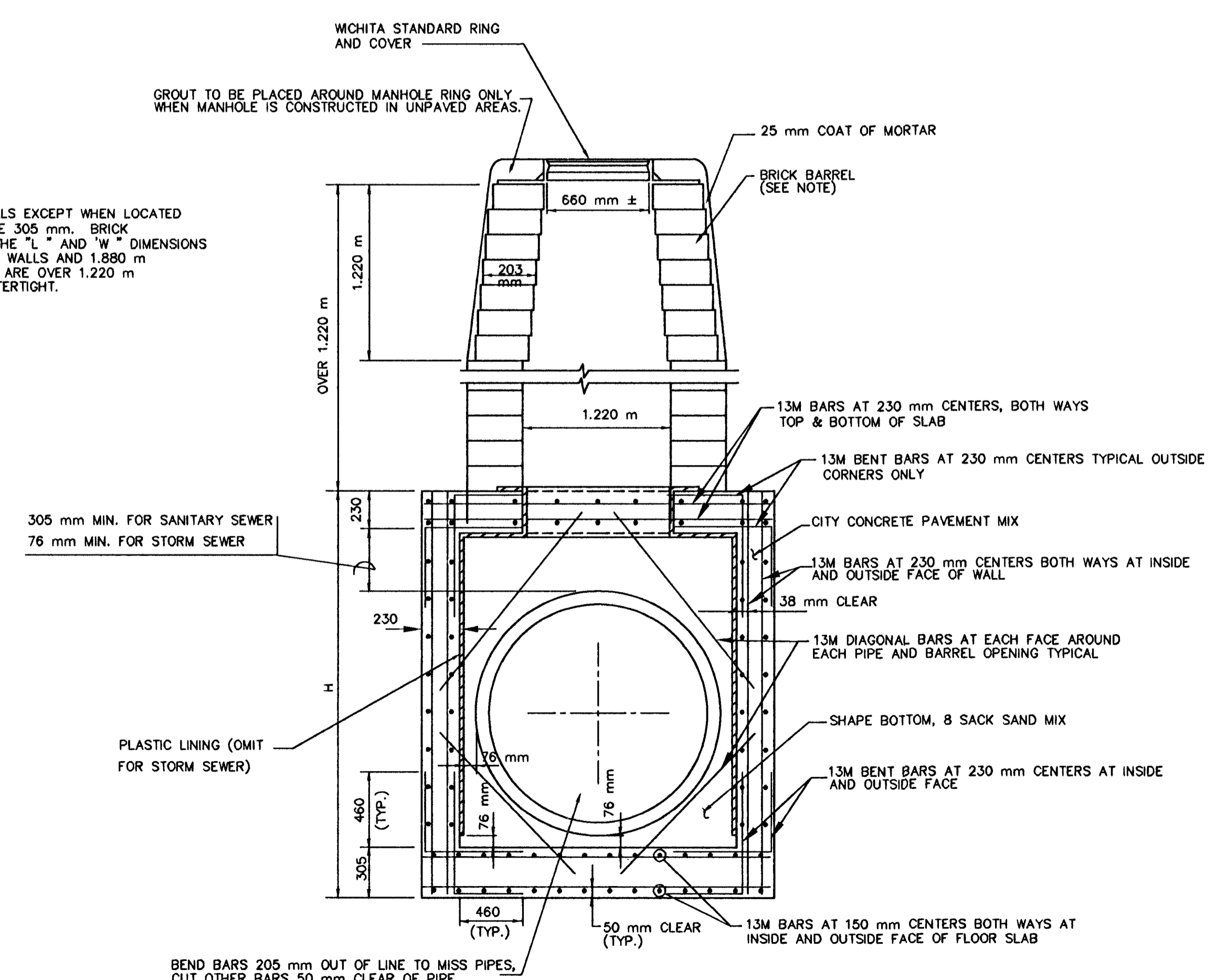
TOP VIEW



REINFORCED CONCRETE MANHOLE

DEPTH OF STACK: 710 mm TO 1 220 mm

NOTE:
BRICK BARRELS LESS THAN 4.877 m DEEP SHALL HAVE 203 mm WALLS EXCEPT WHEN LOCATED WITHIN PUBLIC STREET OR ALLEY PAVEMENT THEN THE WALL SHALL BE 305 mm. BRICK BARRELS MORE THAN 4.877 m DEEP SHALL HAVE 305 mm WALLS. THE "L" AND "W" DIMENSIONS SHALL BE A MINIMUM OF 1.876 m FOR BRICK BARRELS WITH 203 mm WALLS AND 1.880 m FOR BRICK BARRELS WITH 305 mm WALLS WHEN THE BRICK BARRELS ARE OVER 1.220 m IN HEIGHT. COMPLETED MANHOLE SHALL BE WITHOUT LEAKS AND WATERTIGHT.



REINFORCED CONCRETE MANHOLE

DEPTH OF STACK: OVER 1.220 m

2					
1					
NO.	DATE	REVISIONS	BY	APP'D	
KANSAS DEPARTMENT OF TRANSPORTATION					
STANDARD DETAILS					
REINFORCED CONCRETE MANHOLES					
PROJ. NO. 87N-0116-01			SEDGWICK COUNTY		
MID-KANSAS ENGINEERING CONSULTANTS, INC.					
WICHITA, KANSAS					
DESIGNED BY:		CHECKED BY:			
DRAWN BY:		DATE:			SHEET 42 OF 110