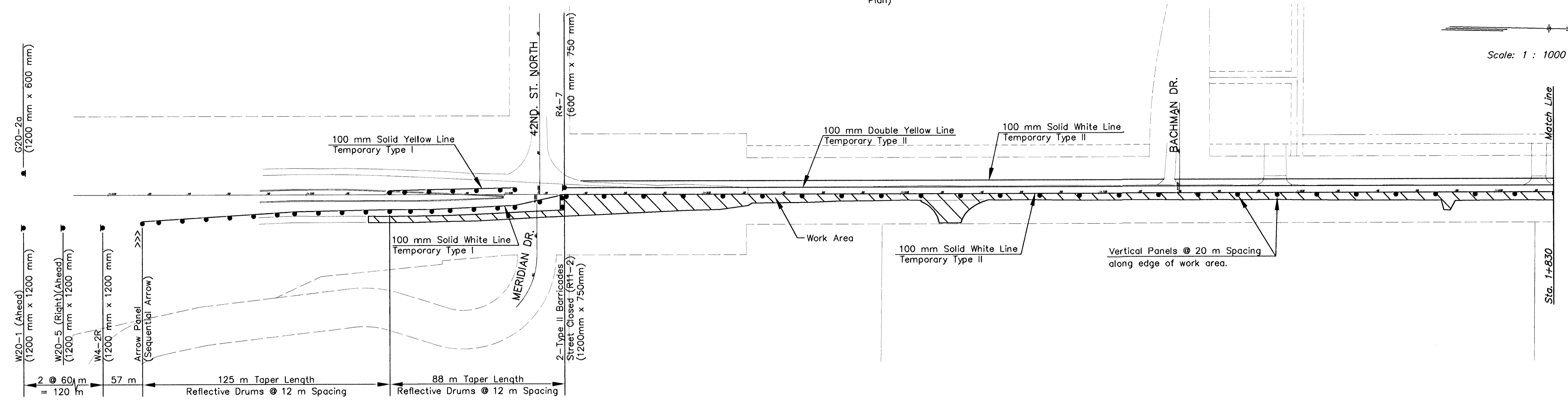


FHWA REG NO.	STATE	PROJECT NO.	YEAR	SHEET NO	TOTAL SHEETS
7	KANSAS	87N-0116-01	1999	74	110

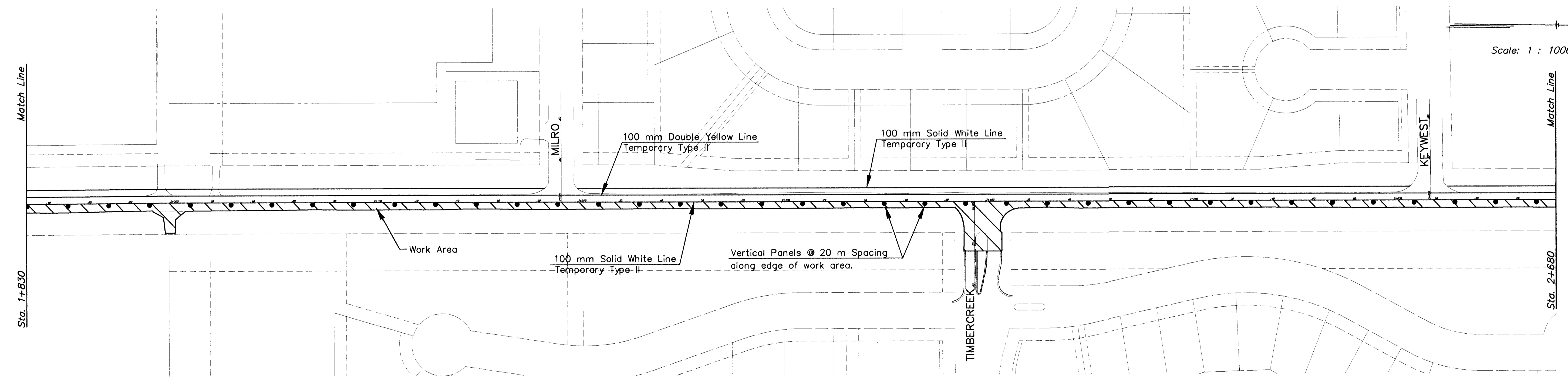
GENERAL NOTES

Temporary Type I 100 mm Yellow Pavement Marking (Solid Double) to continue beyond ends of work area to channel traffic to existing lanes. (See Plan)

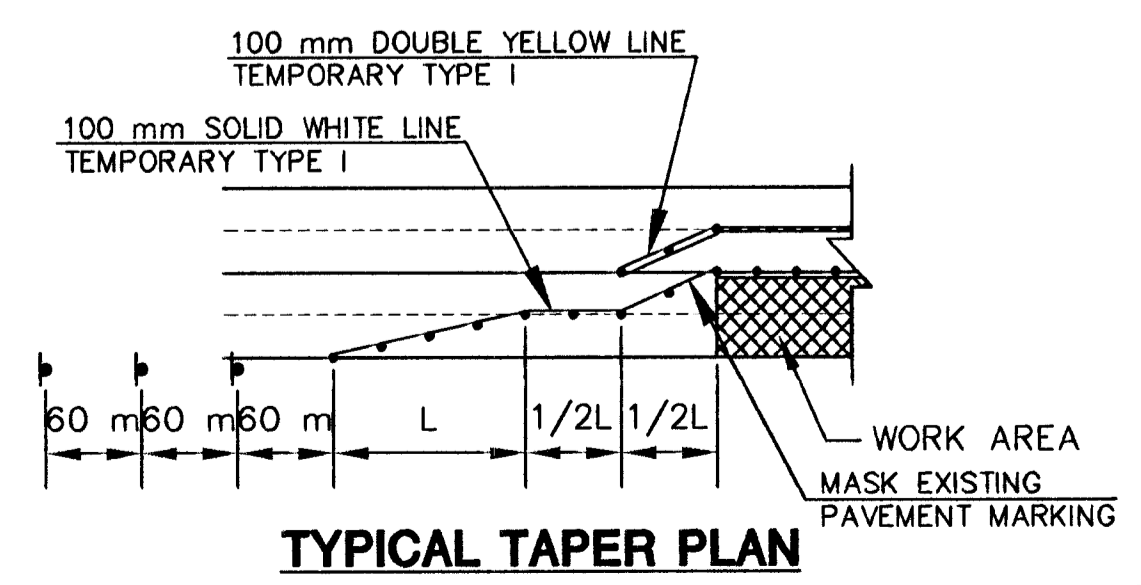
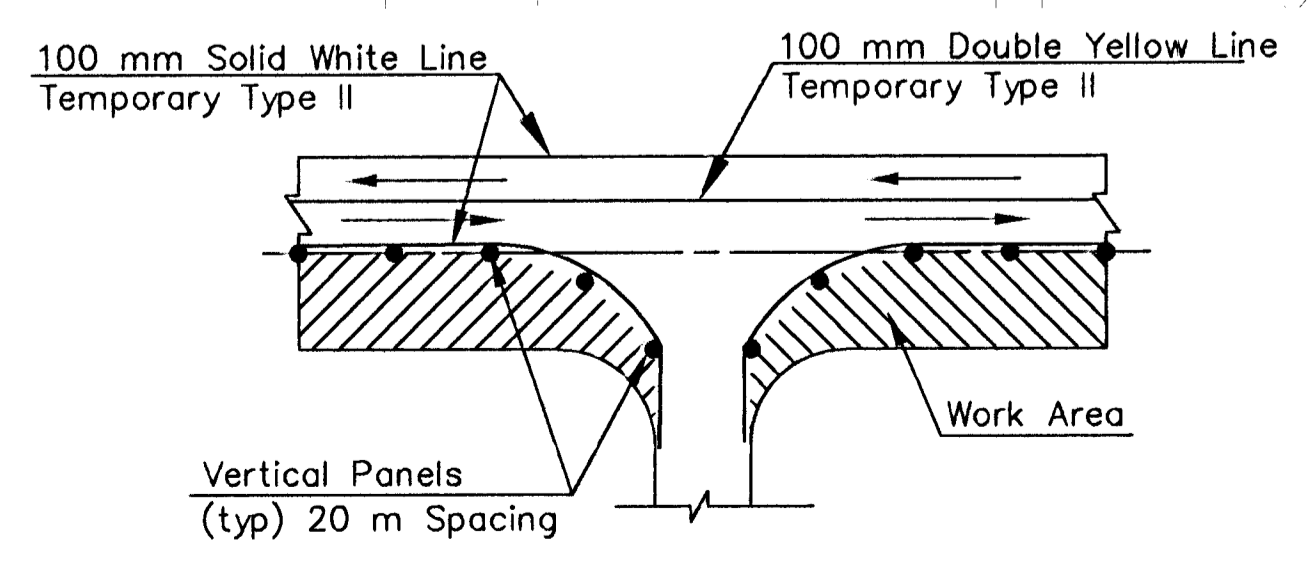
BY	DATE
REFERENCES NOTED	
REFERENCES CHECKED	



Scale: 1 : 1000



Scale: 1 : 1000



NO.	DATE	REVISIONS	BY	APP'D
2				
1				

KANSAS DEPARTMENT OF TRANSPORTATION
MERIDIAN AVE.
TRAFFIC CONTROL
PHASE II AND PHASE III
 PROJ. NO. 87N-0116-01 SEDGWICK COUNTY
MID-KANSAS ENGINEERING CONSULTANTS, INC.
 WICHITA, KANSAS

DESIGNED BY: WNJ CHECKED BY: DCH
 DRAWN BY: WNJ DATE: DEC. 1998 SHEET 74 OF 110