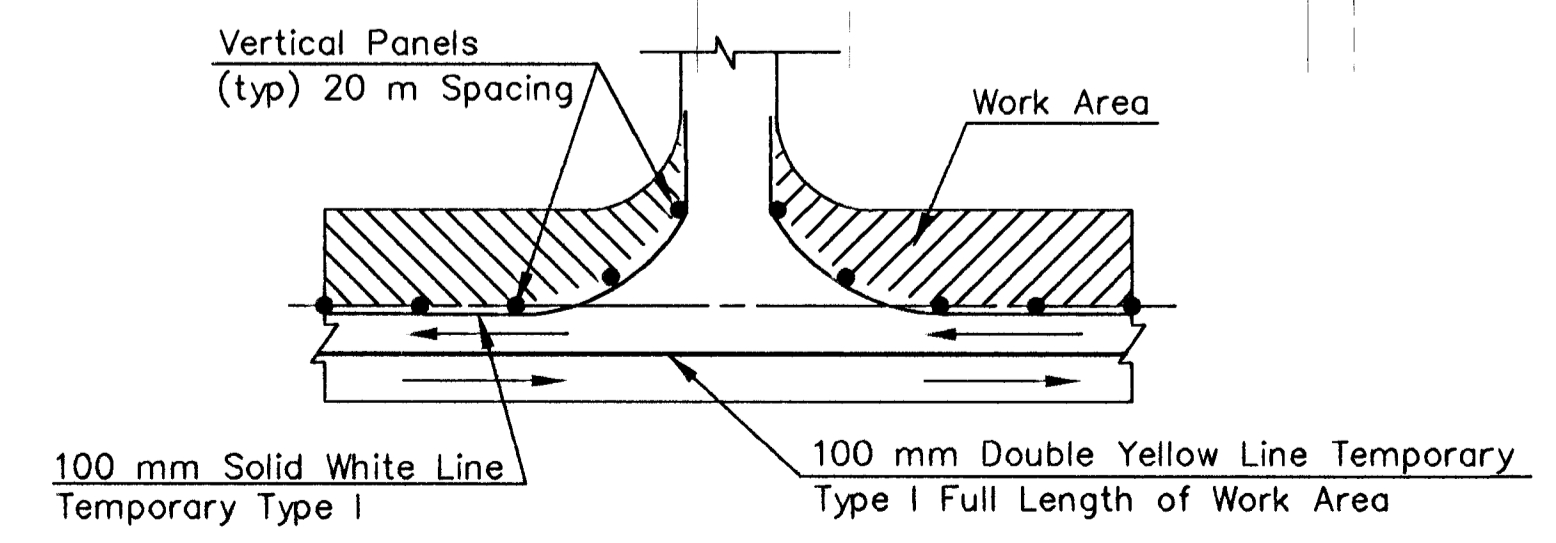
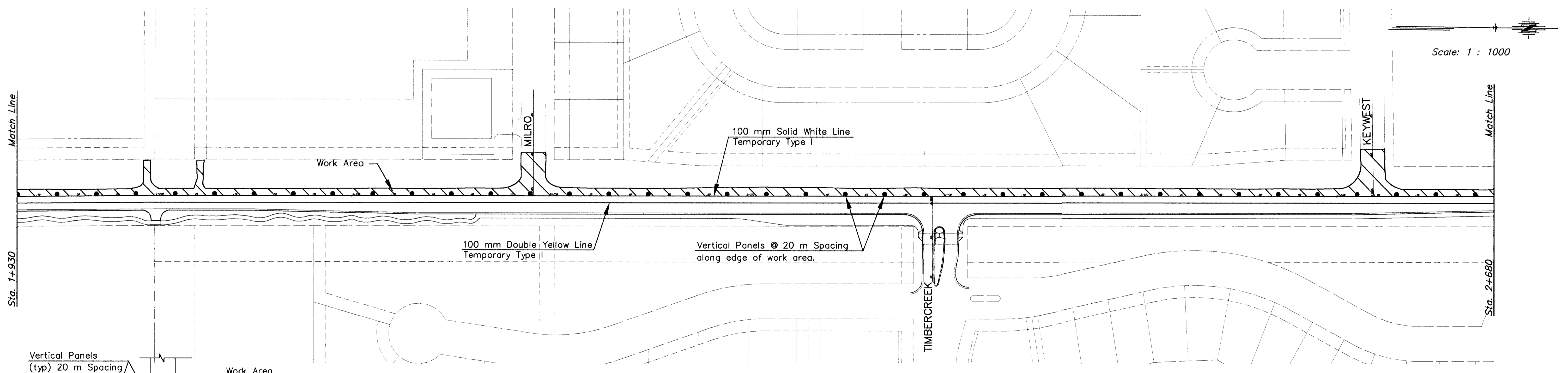
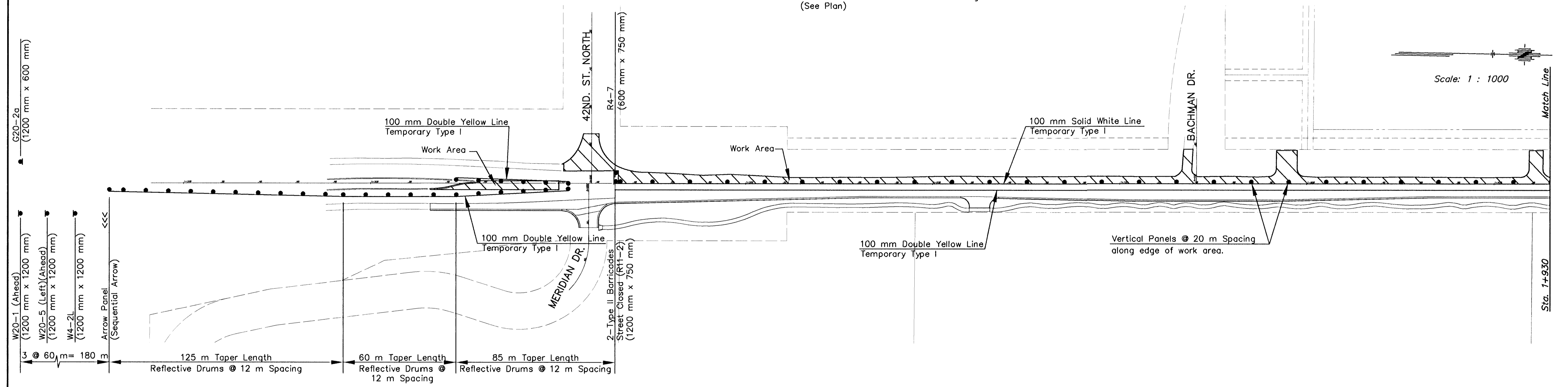


FHWA REG NO.	STATE	PROJECT NO.	YEAR	SHEET NO	TOTAL SHEETS
7	KANSAS	87N-0116-01	1999	76	110

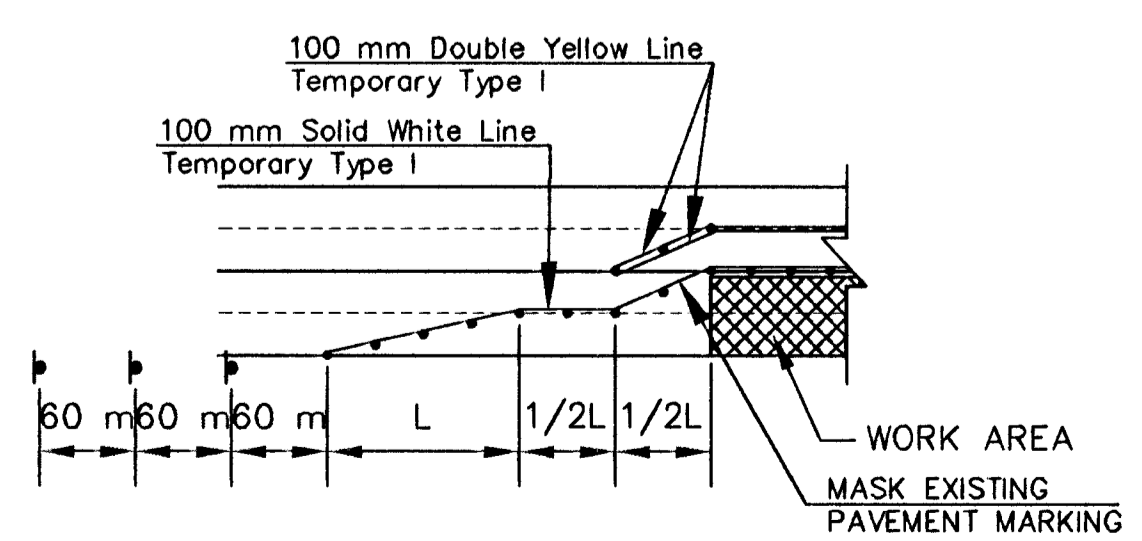
**GENERAL NOTES**

Temporary Type I 100 mm Yellow Pavement Marking (Solid Double) to continue beyond ends of work area to channel traffic to existing lanes. (See Plan)

DATE	
BY	
REFERENCES NOTED	
REFERENCES CHECKED	



**TYPICAL ENTRANCE AND SIDE STREET**



**TYPICAL TAPER PLAN**

NO.	DATE	REVISIONS	BY	APP'D
2				
1				

KANSAS DEPARTMENT OF TRANSPORTATION  
**MERIDIAN AVE. TRAFFIC CONTROL PHASE IV**  
 PROJ. NO. 87N-0116-01 SEDGWICK COUNTY  
**MID-KANSAS ENGINEERING CONSULTANTS, INC.**  
 WICHITA, KANSAS

DESIGNED BY: WNJ	CHECKED BY: DCH
DRAWN BY: WNJ	DATE: DEC. 1998

SHEET 76 OF 110