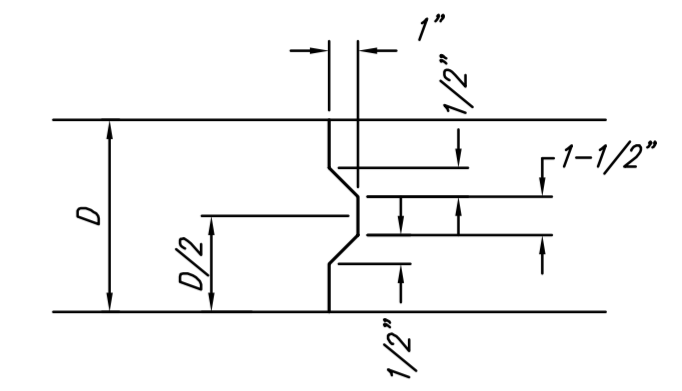
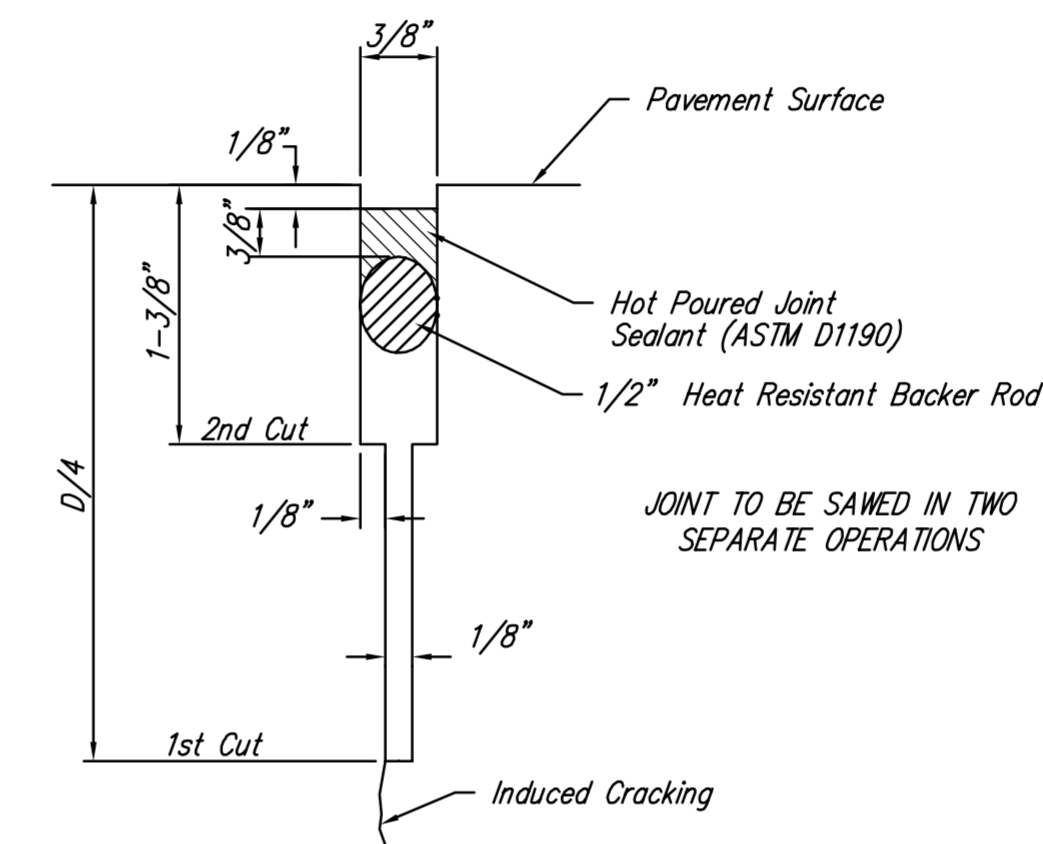


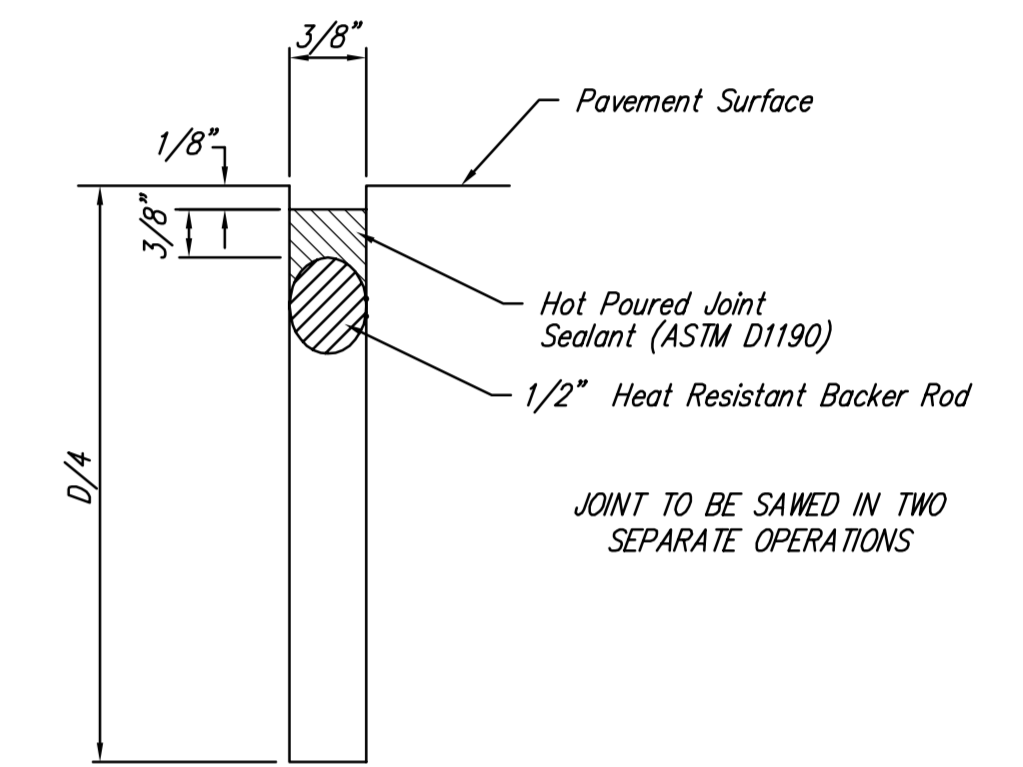
LONGITUDINAL JOINT DETAIL (L.J.)



KEYWAY DETAIL

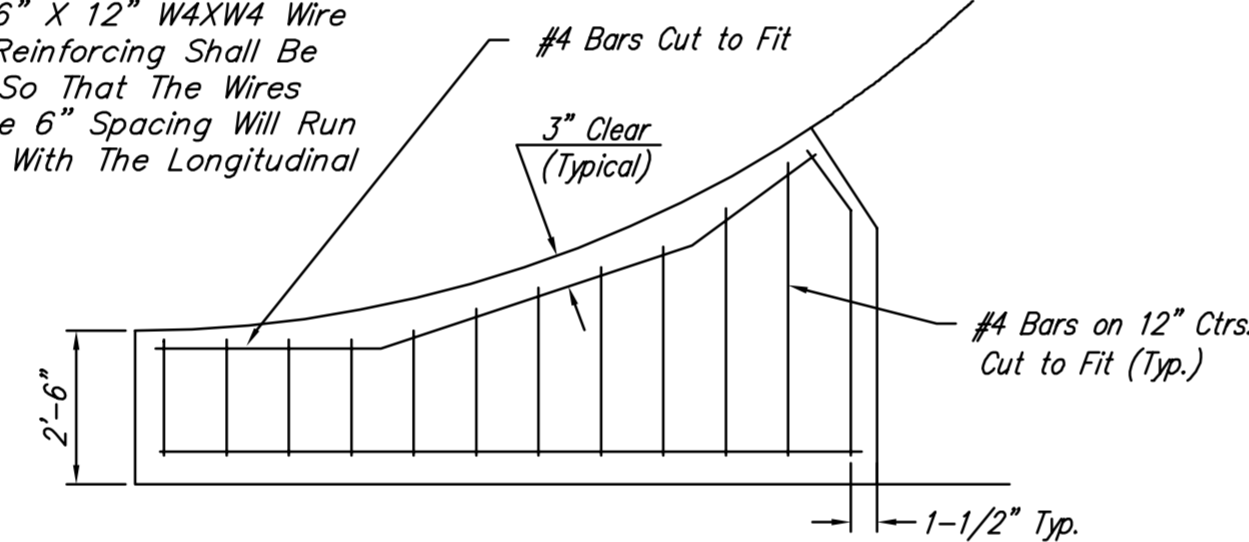


SAW JOINT DETAIL "A"

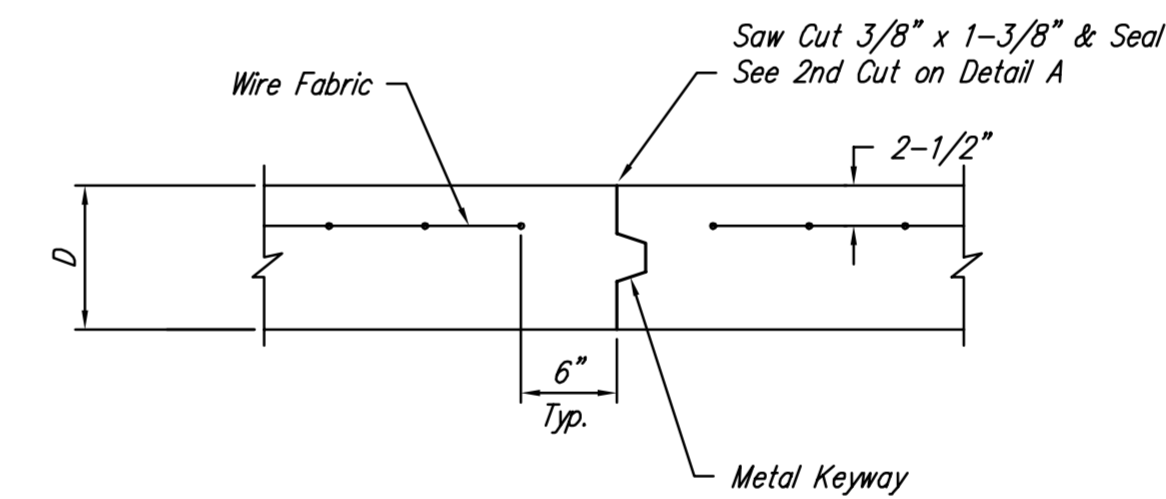


SAW JOINT DETAIL "B"

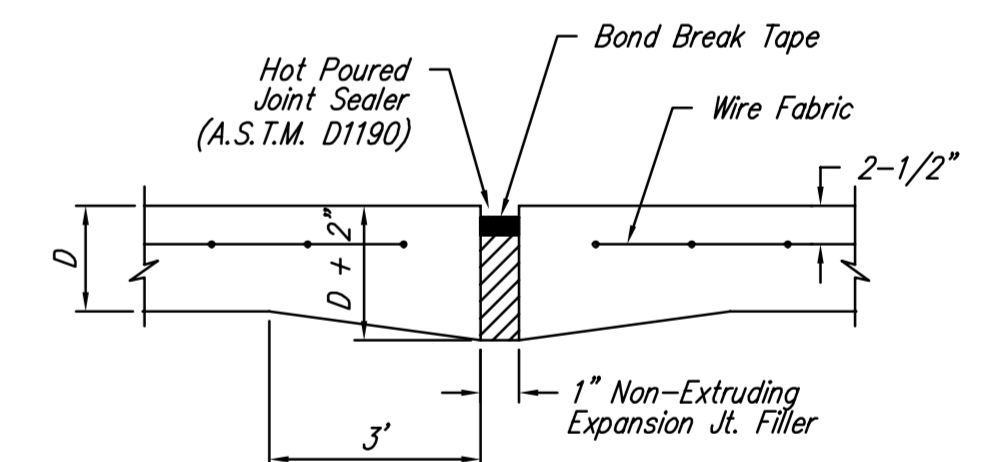
NOTE: 6" X 12" W4XW4 Wire Fabric Reinforcing Shall Be Placed So That The Wires With The 6" Spacing Will Run Parallel With The Longitudinal Joints.



WING REINFORCING DETAIL

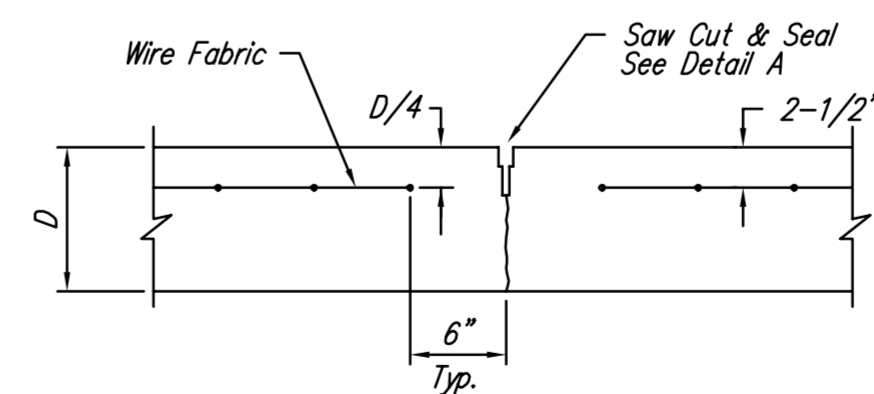


OPTIONAL CONTRACTION JOINT (CONSTRUCTION JOINT)

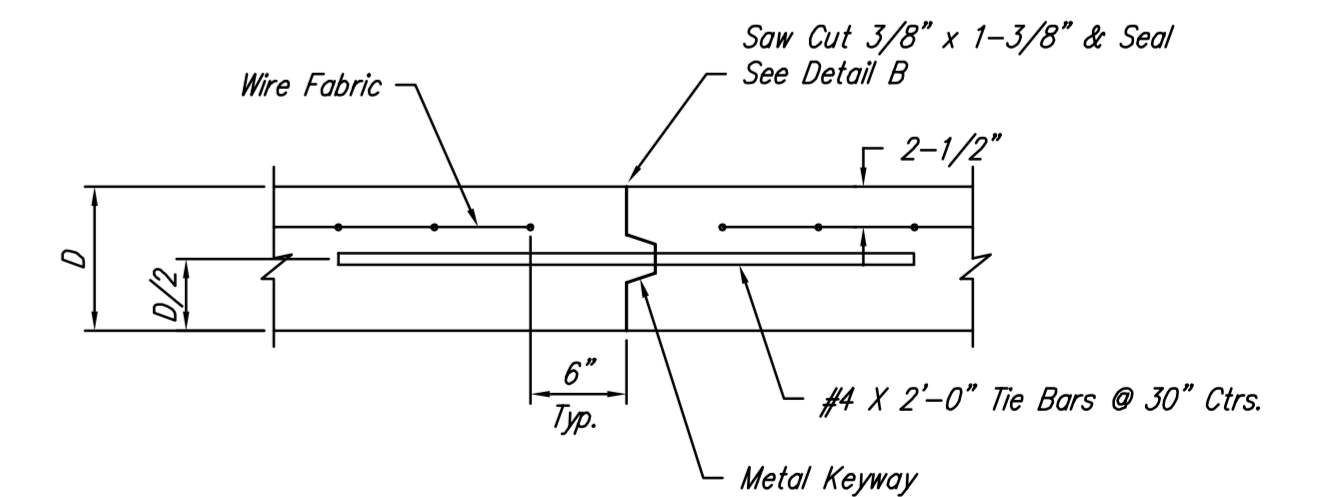


EXPANSION JOINT

NOTE: Extra Thickness to be Subsidiary to Price of Square Yards Pavement



CONTRACTION JOINT DETAIL (C.J.)



OPTIONAL LONGITUDINAL JOINT DETAIL (L.J.) (CONSTRUCTION JOINT)