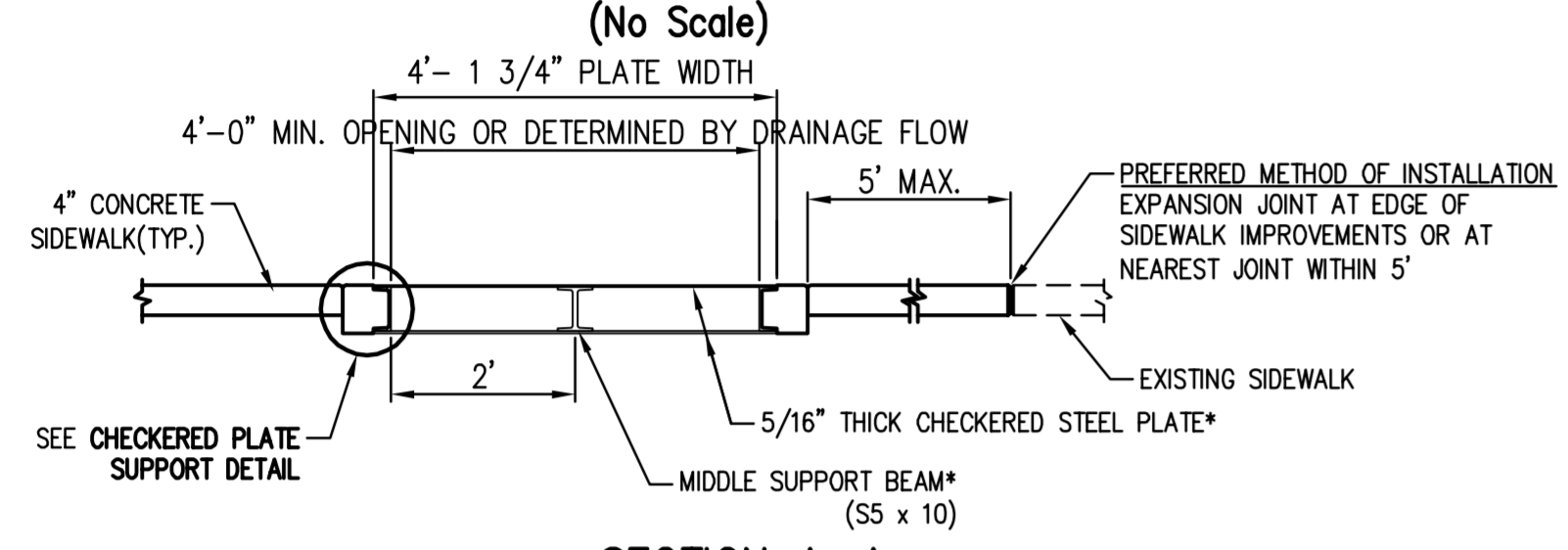
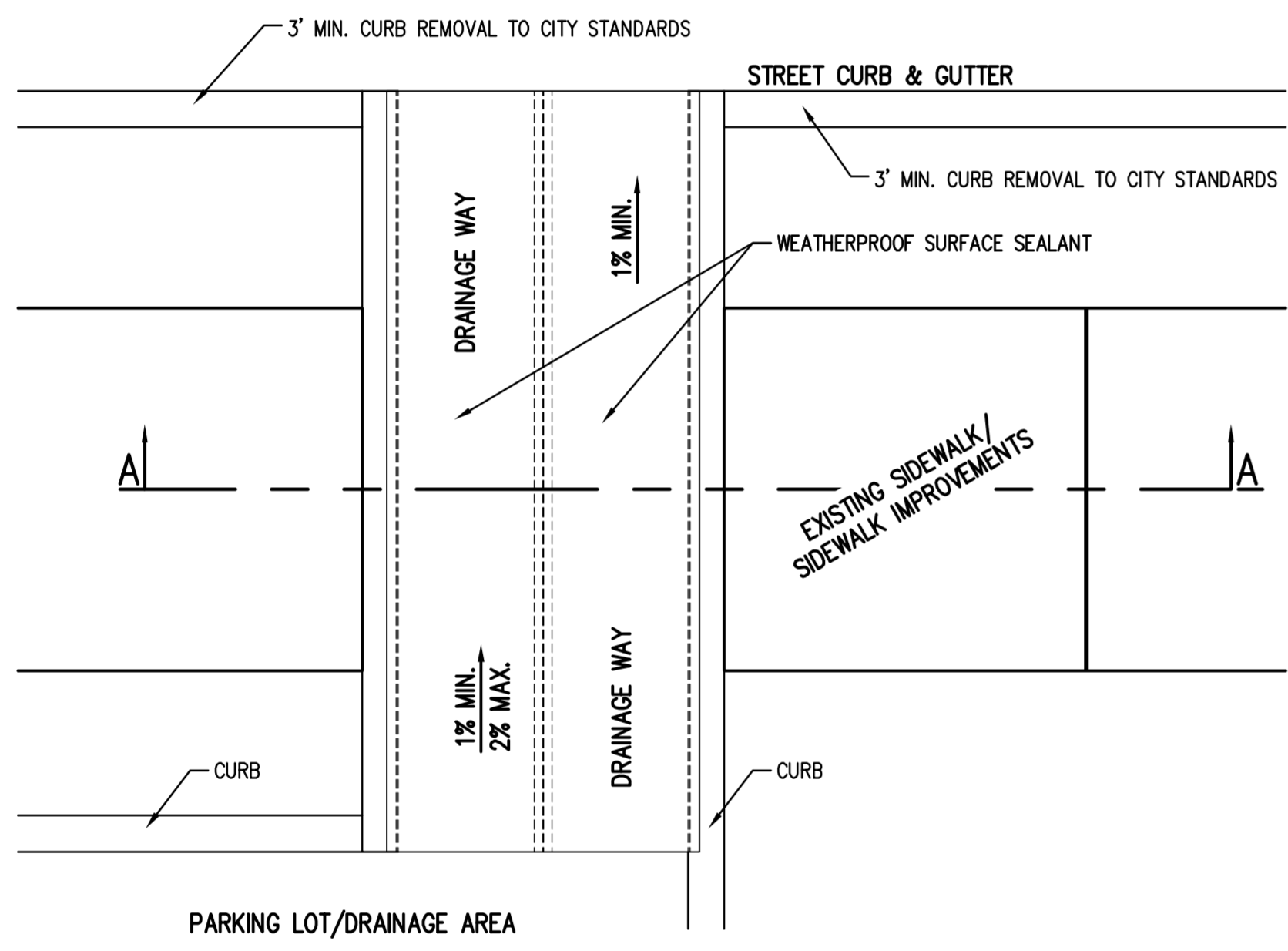


CHECKERED PLATE SUPPORT DETAIL
(No Scale)

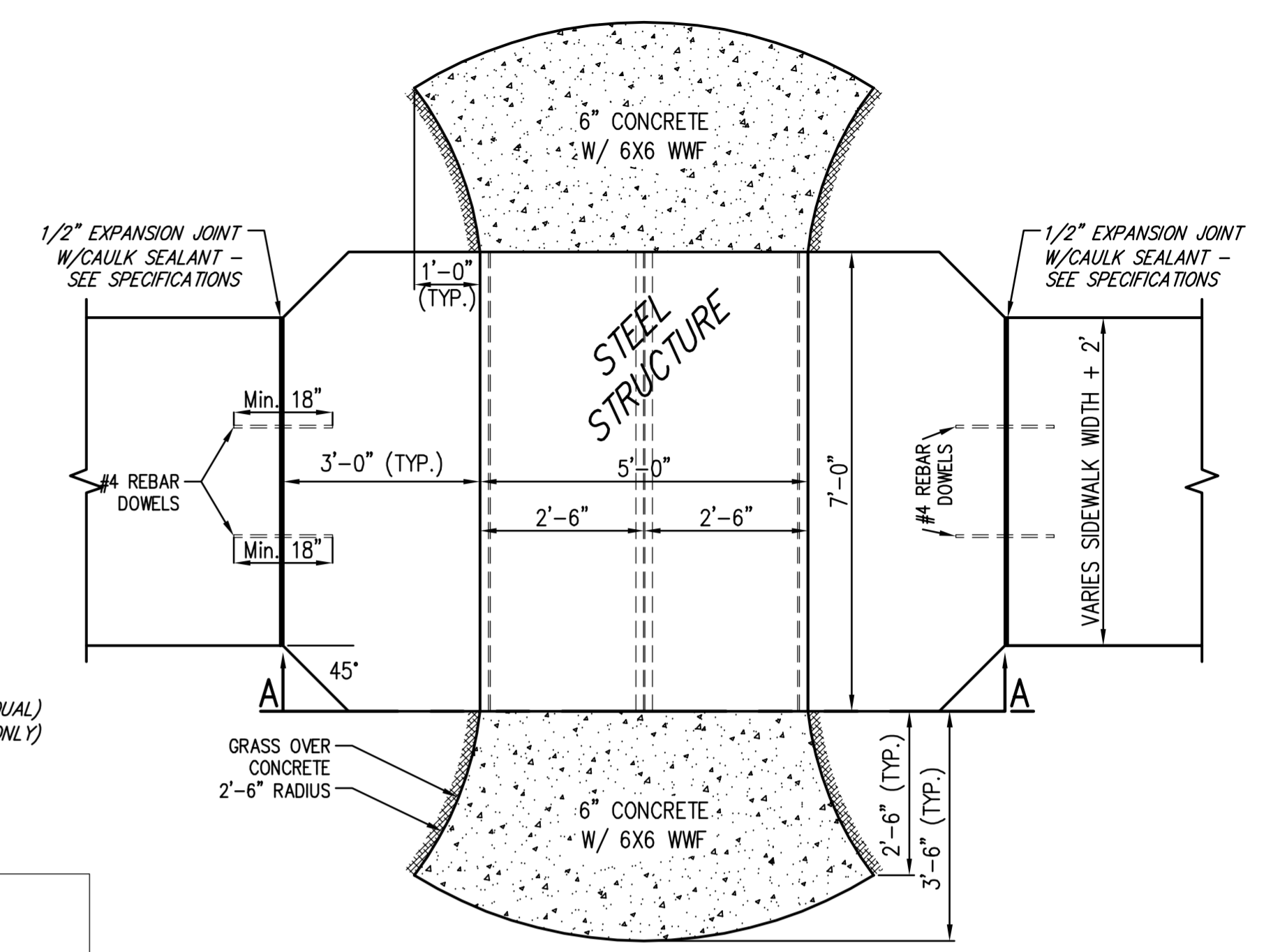
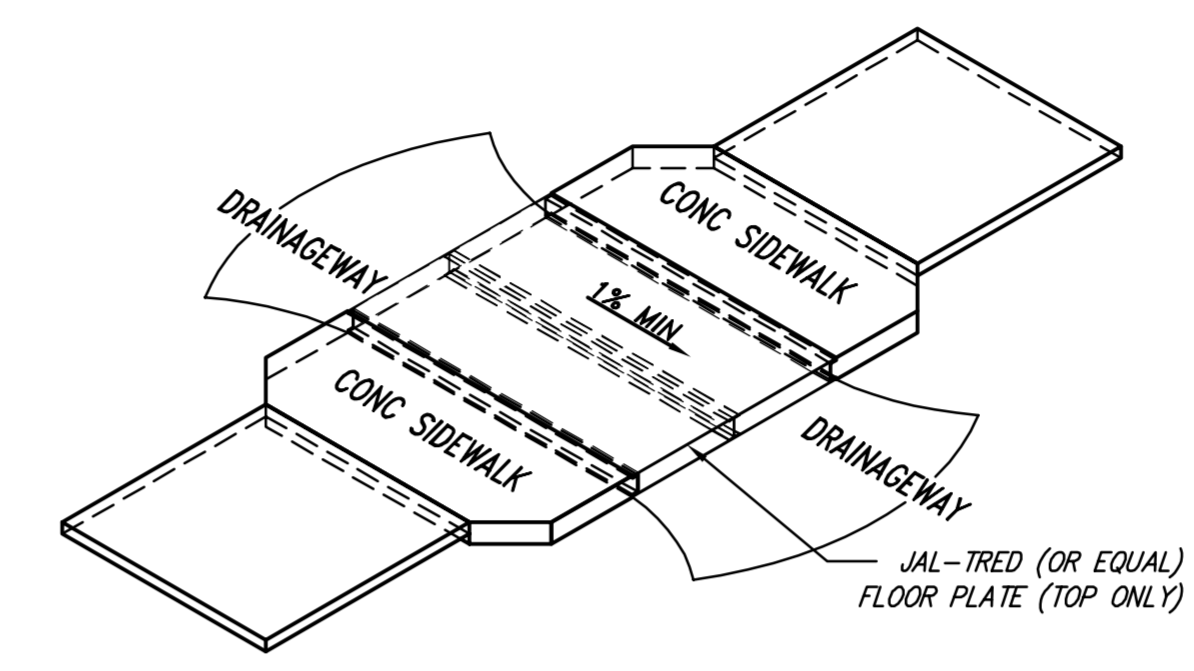


SECTION A-A
(No Scale)

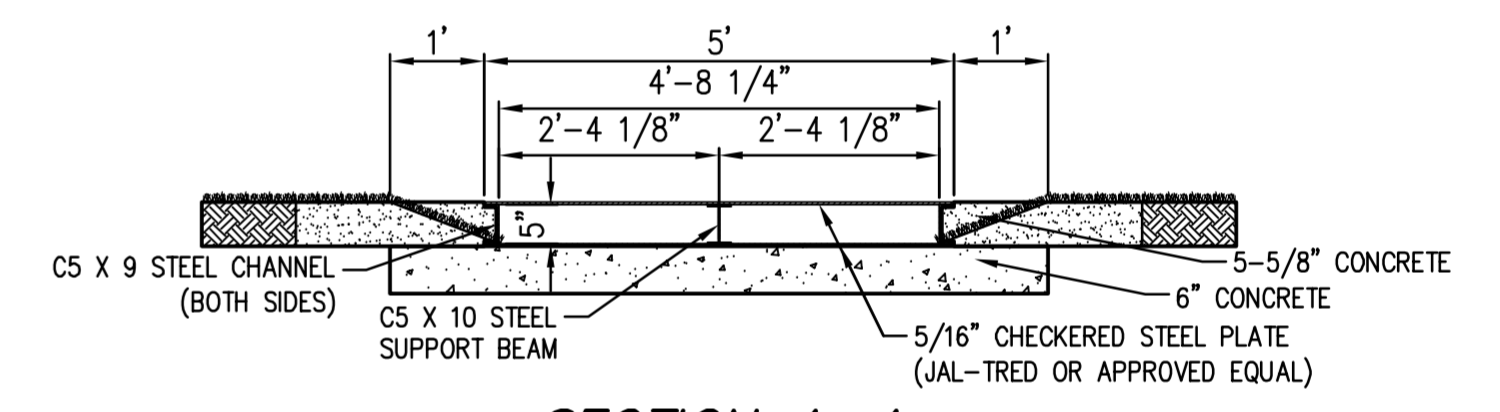


PLAN VIEW*
(No Scale)

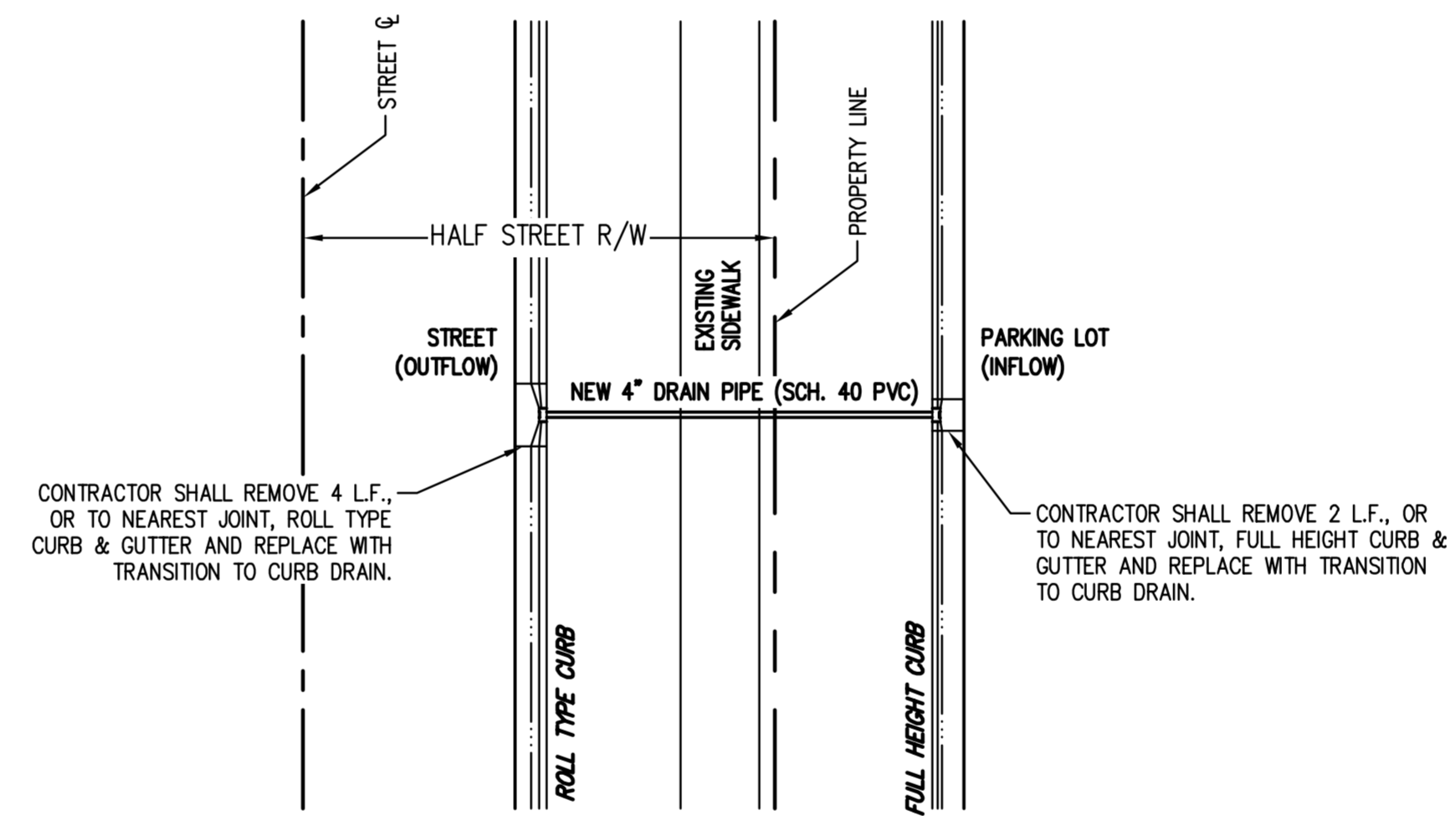
CHECKERED PLATE
(PREFERRED OPTION)



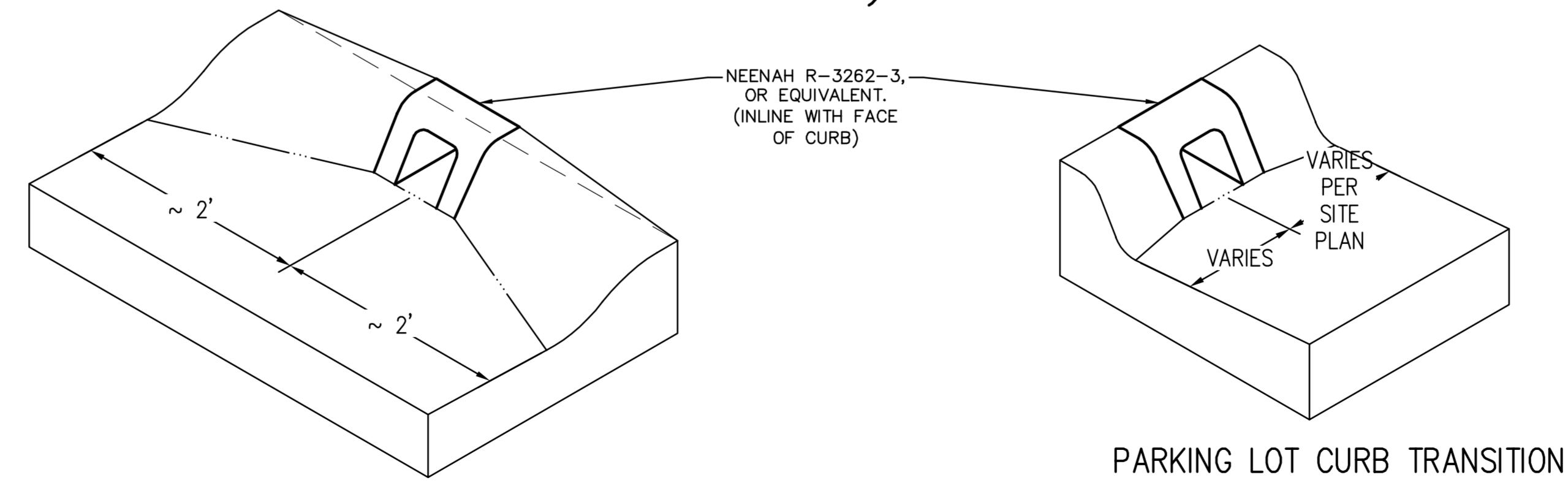
PLAN*
(No Scale)



SECTION A-A
(NO SCALE)



(ALTERNATIVE INSTALLATION WITH PRIOR APPROVAL FROM CITY ENGINEER)



STREET CURB TRANSITION

NEENAH CURB DRAIN

PARKING LOT CURB TRANSITION

(USE ONLY WITH PRIOR APPROVAL FROM CITY ENGINEER.)

* NOTE: OWNER'S ENGINEER SHALL CONTACT PUBLIC WORKS AND ENGINEERING DEPARTMENT AT 262-8808 TO OBTAIN UTILITY PAVEMENT CUT PERMIT PRIOR TO CONSTRUCTION IF PART OF A PRIVATE PROJECT.



COVERED CONCRETE FLUME THROUGH SIDEWALK & NEENAH CURB DRAIN		
CITY ENGINEER GARY JANZEN, P.E.		
PROJECT NUMBER 472-85164	OCA NUMBER 707060	DATE 01/2015
CITY ENGINEER'S OFFICE CITY HALL - SEVENTH FLOOR 455 NORTH MAIN STREET WICHITA, KANSAS 67202-1620 (316) 268-4501		
DESIGN	DRAWN	SHEET
		12 of 153