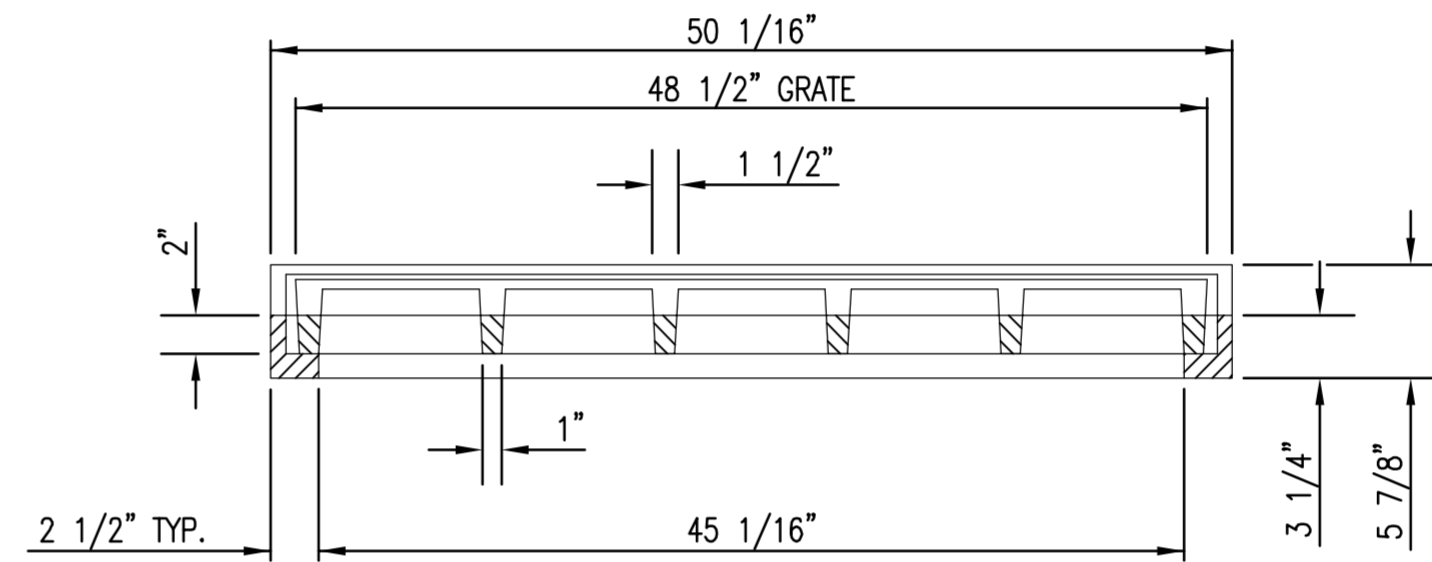
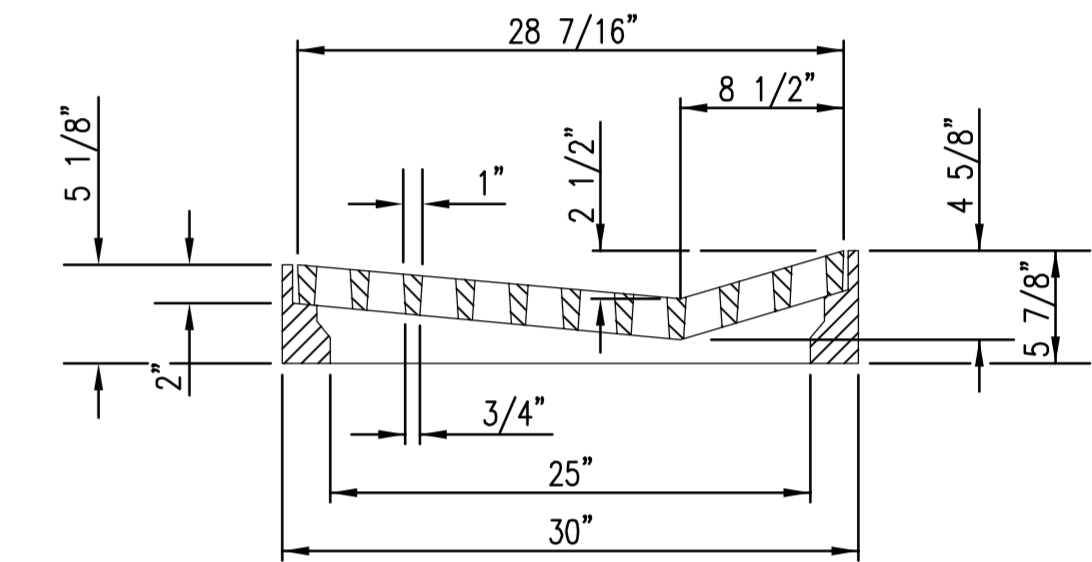


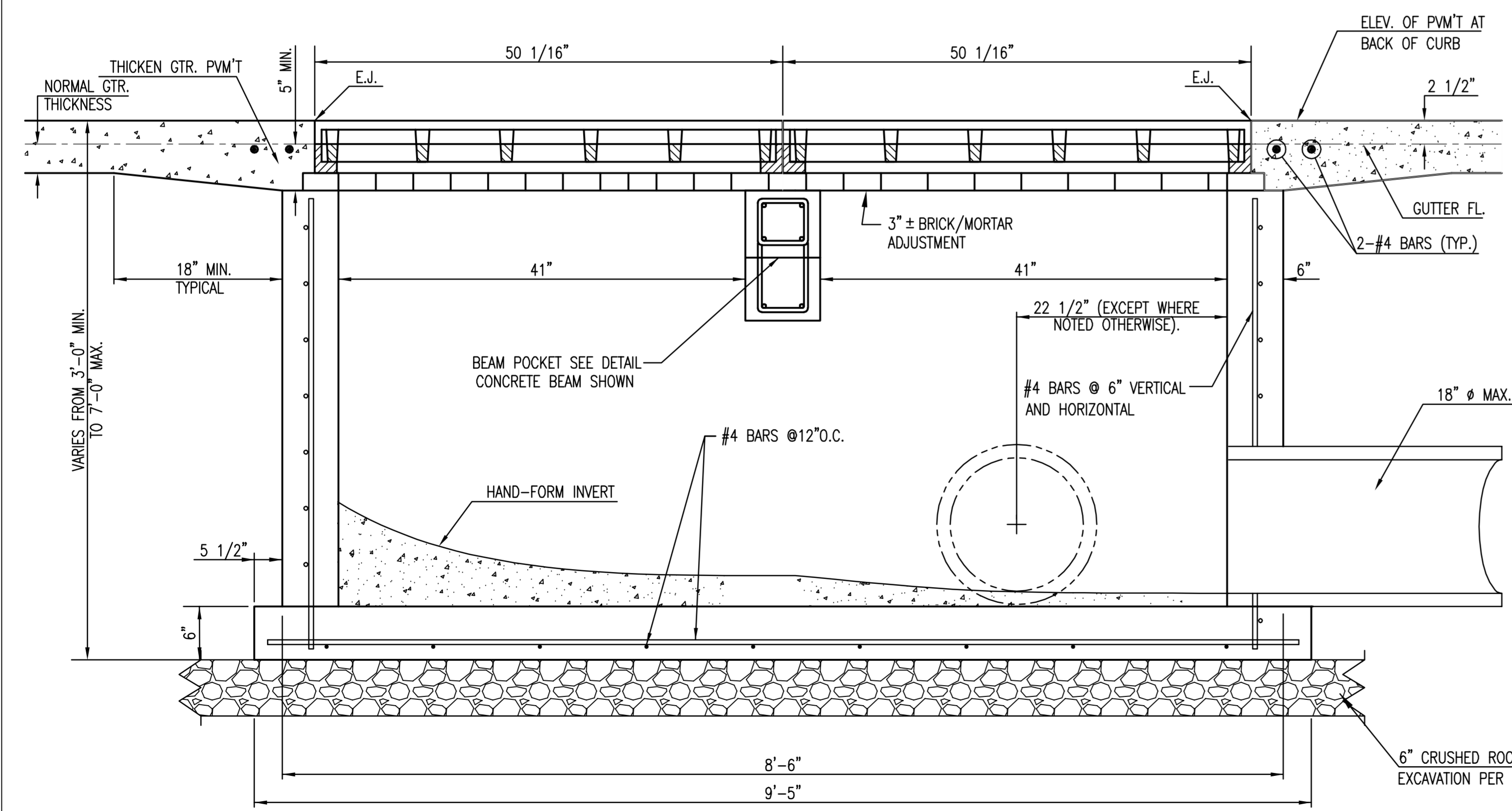
**PLAN**  
**DEETER #2095 FRAME & GRATE**  
 TOTAL WEIGHT: 705 LBS.  
 (2 EACH REQUIRED)  
 OR EJIW #7392



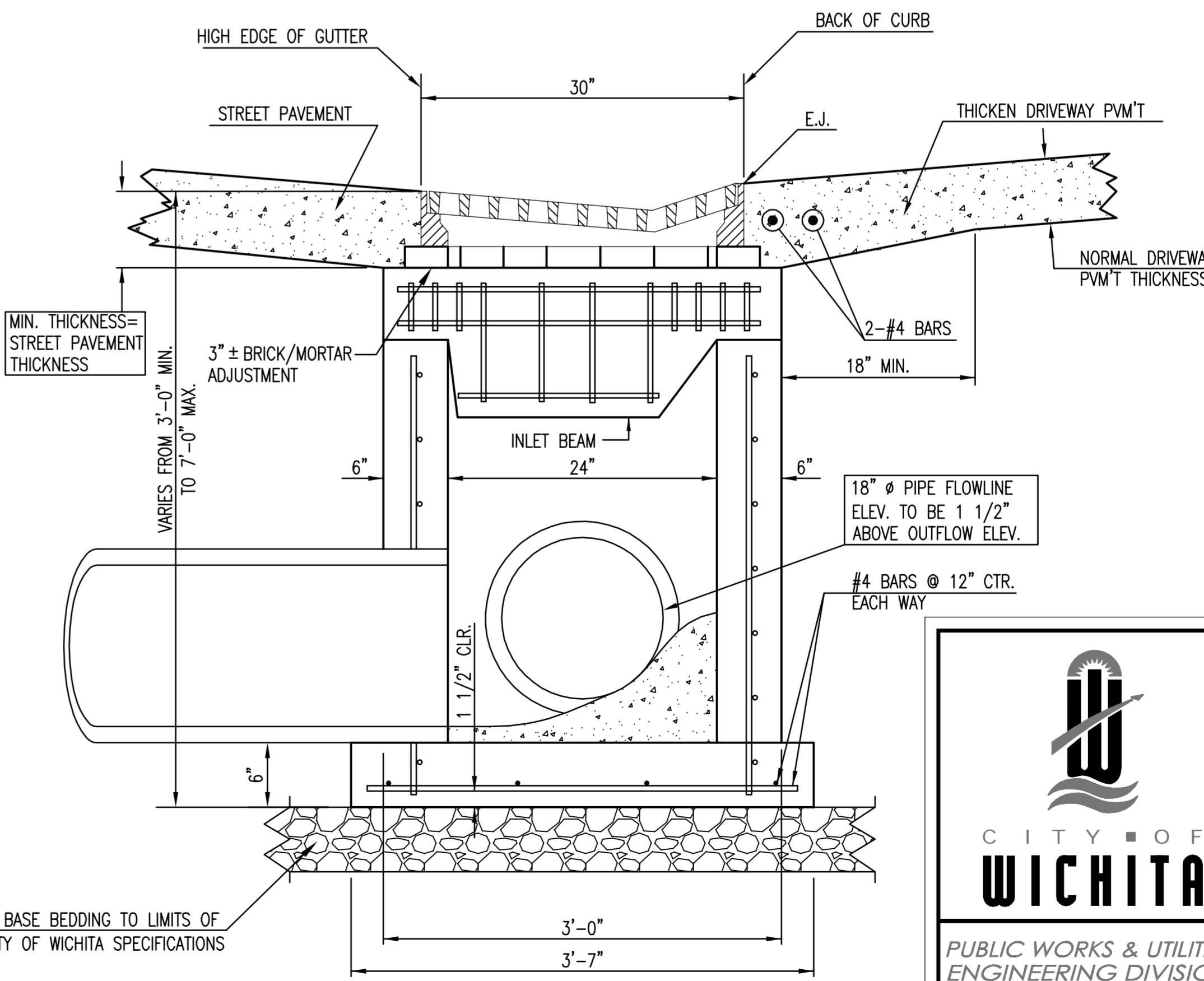
**SECTION D-D**



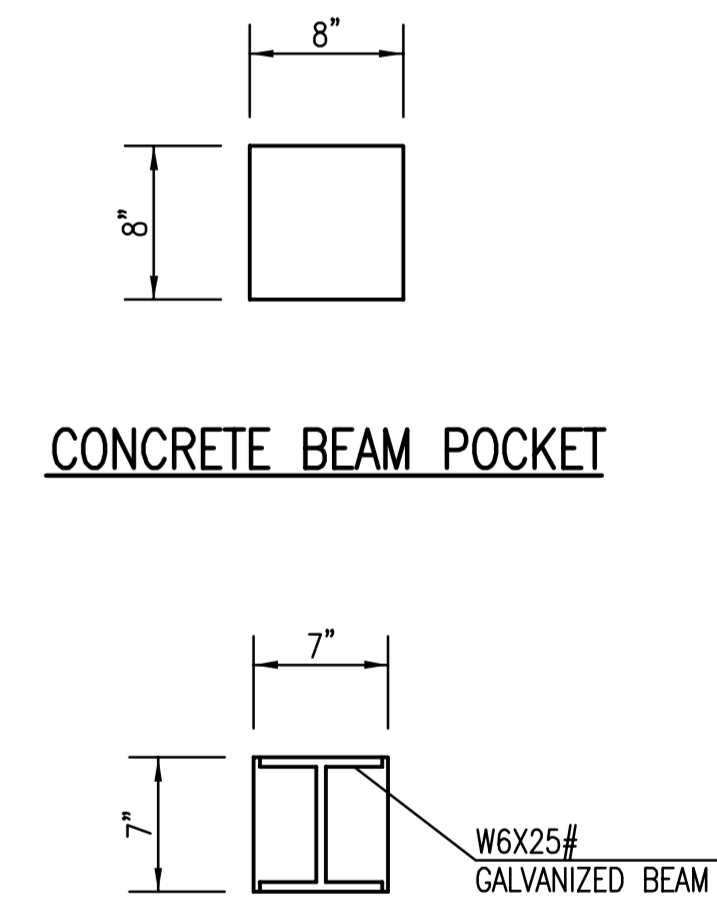
**SECTION C-C**



**SECTION A-A**



**SECTION B-B**



**GALV. STEEL BEAM POCKET**

**GENERAL NOTES**

1. GRATE FRAME TO BE INSTALLED ON THIN MORTAR CUSHION TO INSURE FULL SUPPORT ALONG BRICK. CONCRETE USED FOR INLET CONSTRUCTION SHALL CONFORM TO CITY OF WICHITA SPECIFICATIONS FOR CONCRETE PAVEMENT MIX.
2. CONTRACTOR SHALL HAVE THE OPTION OF CONSTRUCTING 8" BRICK MASONRY WALL BETWEEN THE CONCRETE INLET BASE AND TOP OF THIS INLET WHEN H=7'-0" OR LESS.
3. INLET INVERT SHALL BE SHAPED WITH 8 SACK SAND MIX CONCRETE TO CREATE FLOW CHANNELS AND TO INCREASE HYDRAULIC EFFICIENCY SUCH THAT THE INLET WILL BE SELF CLEANING BETWEEN ALL INLET AND/OR OUTLET PIPES.
4. THE ENDS OF ALL PIPES INSTALLED IN INLETS SHALL BE CUT OFF FLUSH WITH THE INSIDE FACE OF THE INLET WALL.
5. INLET FRAME AND GRATE TO BE DEETER #2095, EJIW #7392, OR APPROVED EQUAL.
6. CONTRACTOR SHALL REMOVE LIFTING HOOKS AFTER INSTALLATION. RECESSES IN INLET WALL SHALL BE GROUTED FLUSH TO THE INLET WALL WITH HYDRAULIC CEMENT AFTER THE INLET IS IN PLACE. LIFTING HOLES THRU THE INLET WALL WILL NOT BE ACCEPTED.



|  |                             |                           |
|--|-----------------------------|---------------------------|
| <b>GRATED DRIVEWAY INLET (DOUBLE)</b>  |                             |                           |
| CITY ENGINEER<br><b>GARY JANZEN, P.E.</b>  |                             |                           |
| PROJECT NUMBER<br><b>472-85164</b>   | OCA NUMBER<br><b>707060</b> | DATE                      |
| CITY ENGINEER'S OFFICE<br>CITY HALL - SEVENTH FLOOR<br>455 NORTH MAIN STREET<br>WICHITA, KANSAS 67202-1620<br>(316) 268-4501 |                             | SHEET<br><b>62 of 153</b> |

REVISED: MARCH 2015