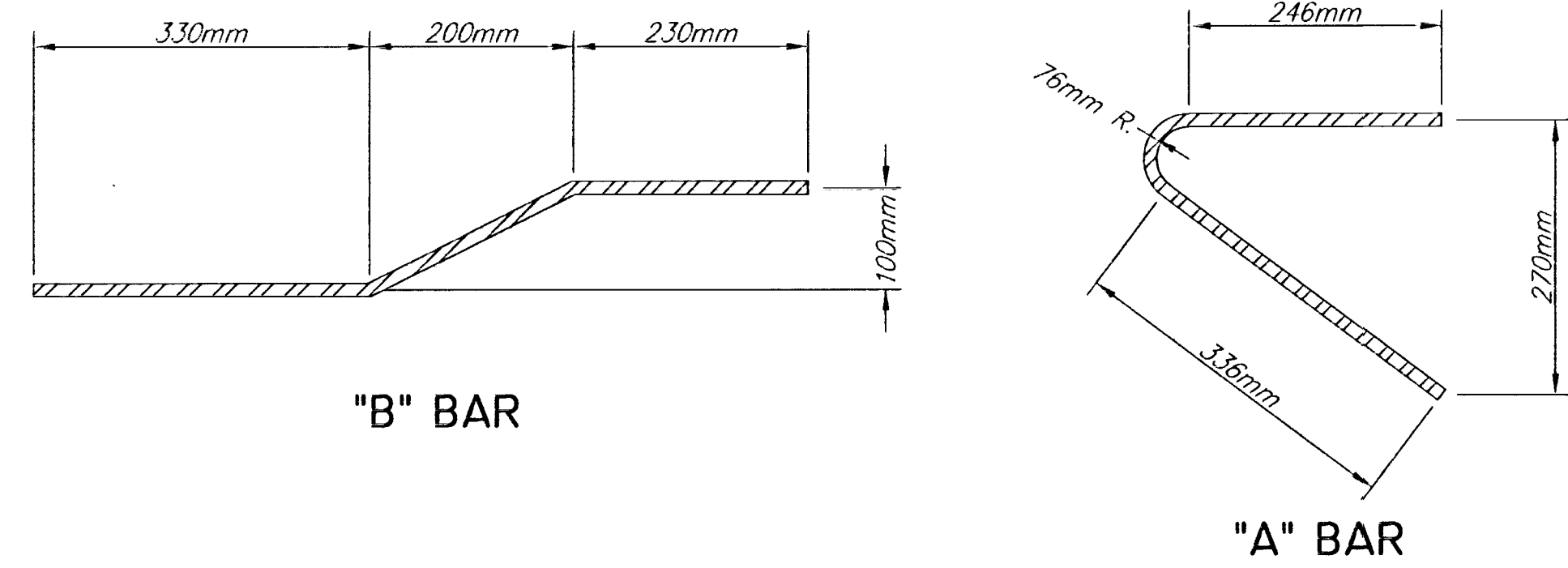
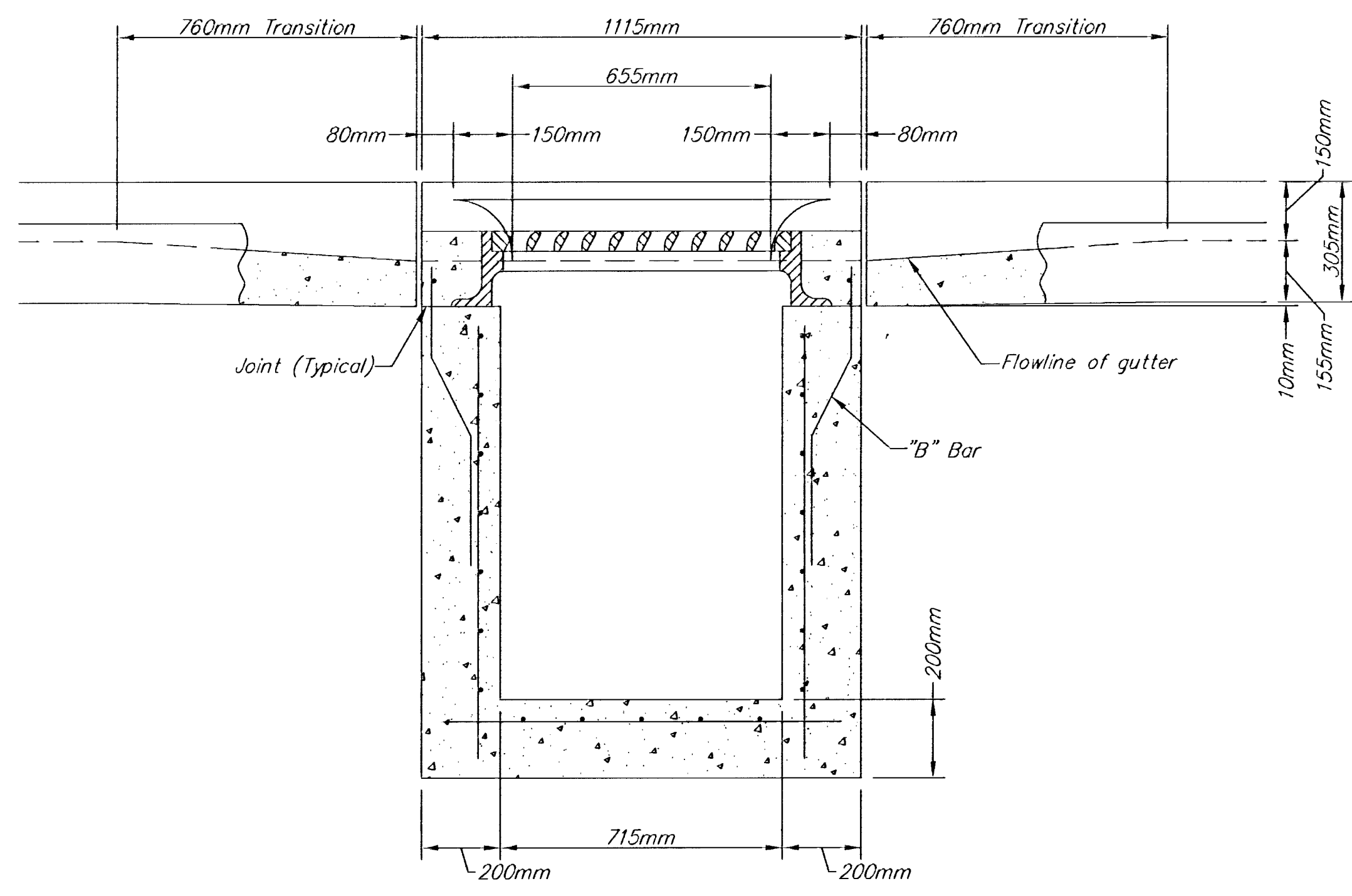


FHWA REG. NO.	STATE	PROJECT NO.	YEAR	SHEET NUMBER	TOTAL SHEETS
7	KANSAS	87N-0197-01	2004	21C	51

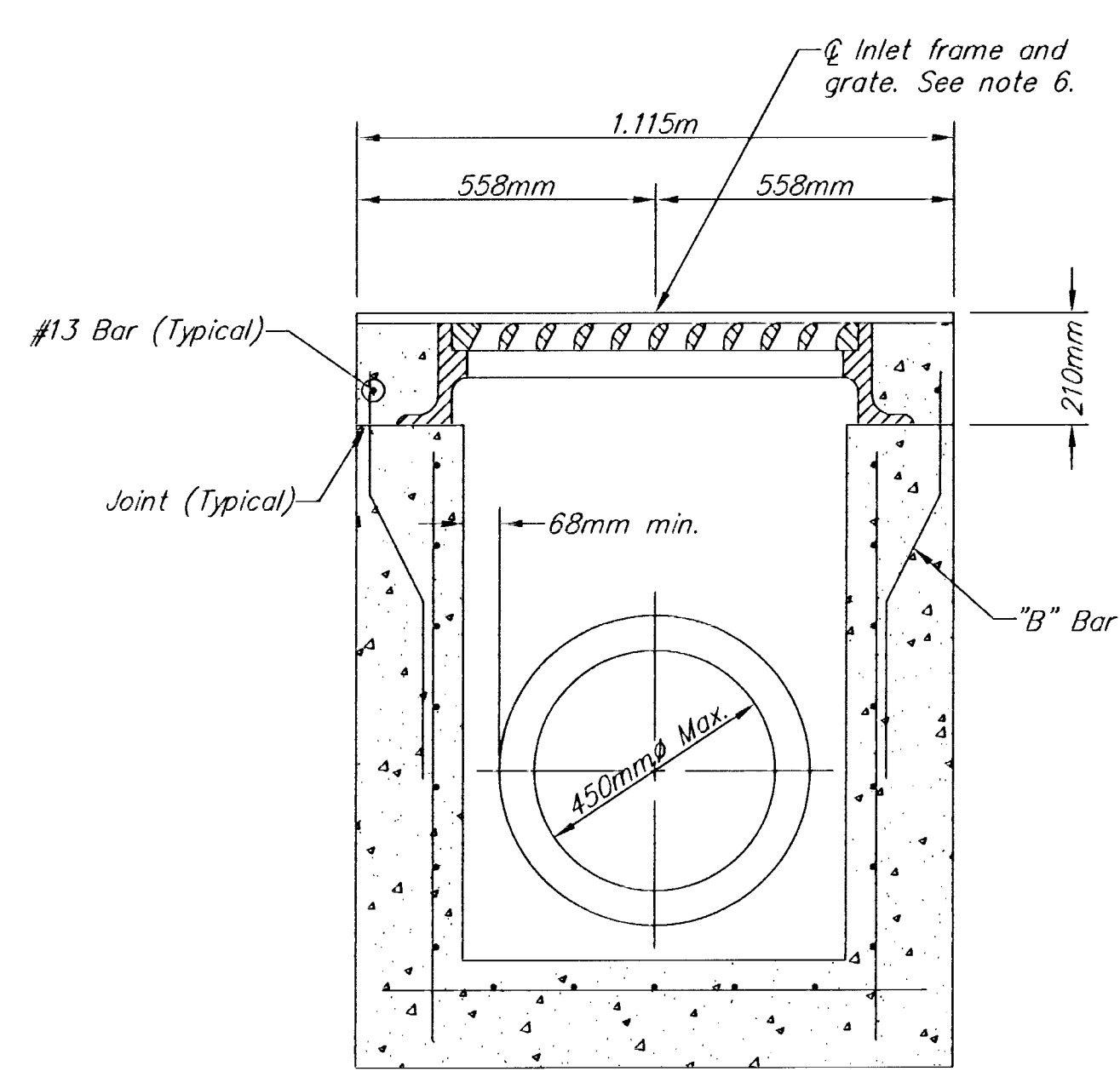
FED. AID NO. CHG-N019 (701)



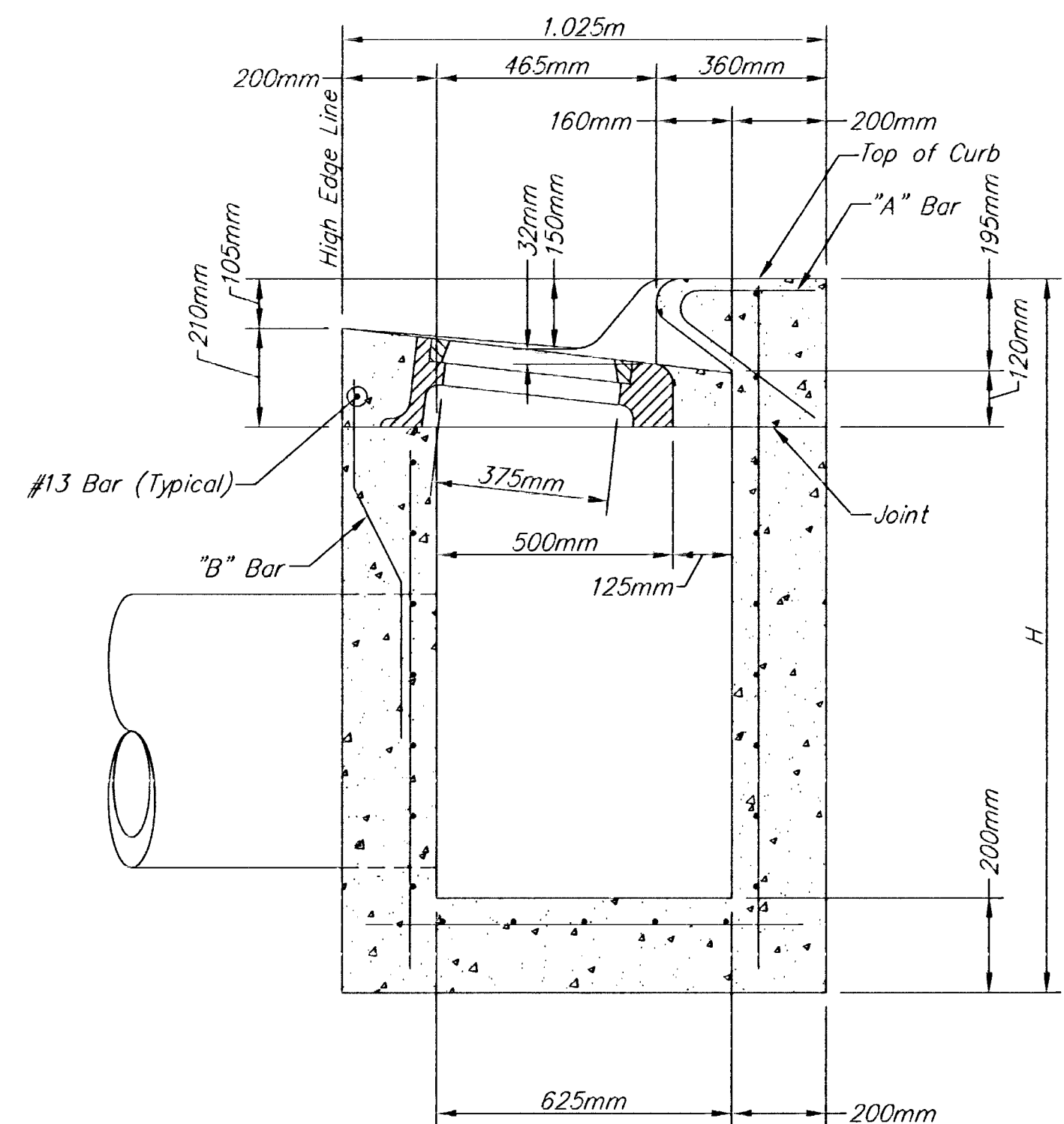
BENDING DIAGM



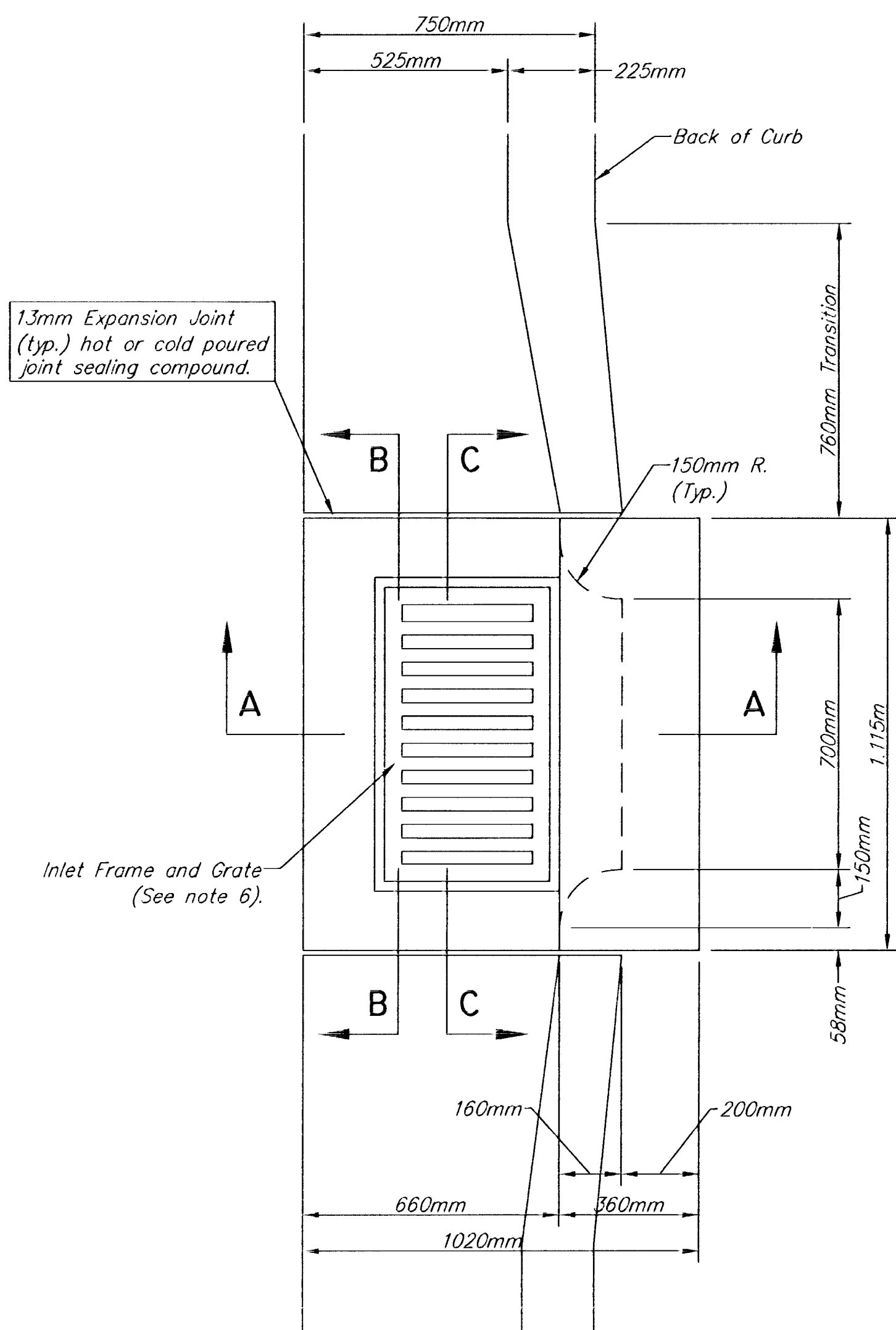
SECTION C-C



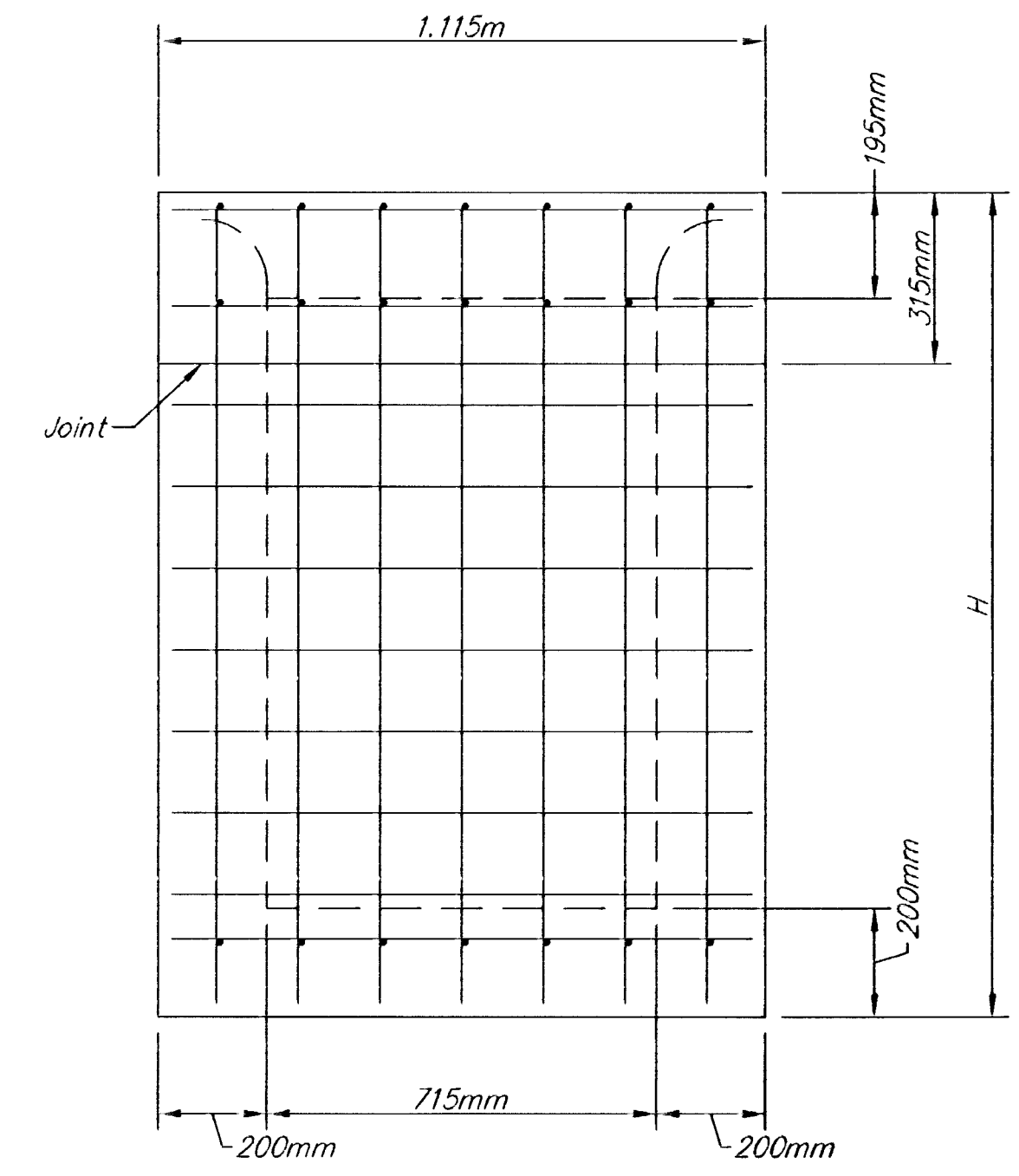
SECTION B-B



SECTION A-A



PLAN



REAR WALL

GENERAL NOTES

- Use the concrete mix specified for the City of Wichita concrete pavement throughout. All exposed edges shall be finished with an edging tool. Reinforcing bars shall be bent around pipe.
- Inlet invert shall be shaped with 8 sack mix concrete to create flow channels and to increase hydraulic efficiency such that the inlet will be self cleaning between all inlet and/or outlet pipes.
- All bars are #13 with 300mm spacing and shall have a minimum clearance of 25mm unless otherwise noted on the plans.
- When directed by the Engineer, a small opening may be required in the back of the inlet in order to drain a low area. Reinforcing bars will extend through the openings. No deductions in concrete quantities will be made for these openings.
- No deductions will be made in pay length of curb, gutter, or curb and gutter through the inlet area.
- Use Neenah R-3289-HV Single Inlet Frame and Grate or approved equal. Inlet frame to be proof load tested to 18145 kg on unsupported side.
- Reinforcing bars shall be cut or bent around pipes. No deduction in concrete quantities shall be made for pipe openings.
- The vanes of the grate shall be oriented with respect to the flow arrows shown on the plans.
- Deeter Foundry, Inc. casting No. 2441 with style H grate is an approved equal to Neenah castings specified. Inlet drawing is based on Neenah castings and concrete walls and supports will require some field modifications to accommodate.

Rock Road-21st Street North to 29th Street North  
**Type II Inlet (Single Grate)**  
 City of Wichita

PROJECT NUMBER 472-83889		SHEET <b>21C</b> OF 51
KEM NO. 02042	FILE (Single Grate)	DATE
DESIGN	DRAWN	REVISED

kemiller engineering  
 516 S. Market, Wichita, KS 67202      316/264-0242