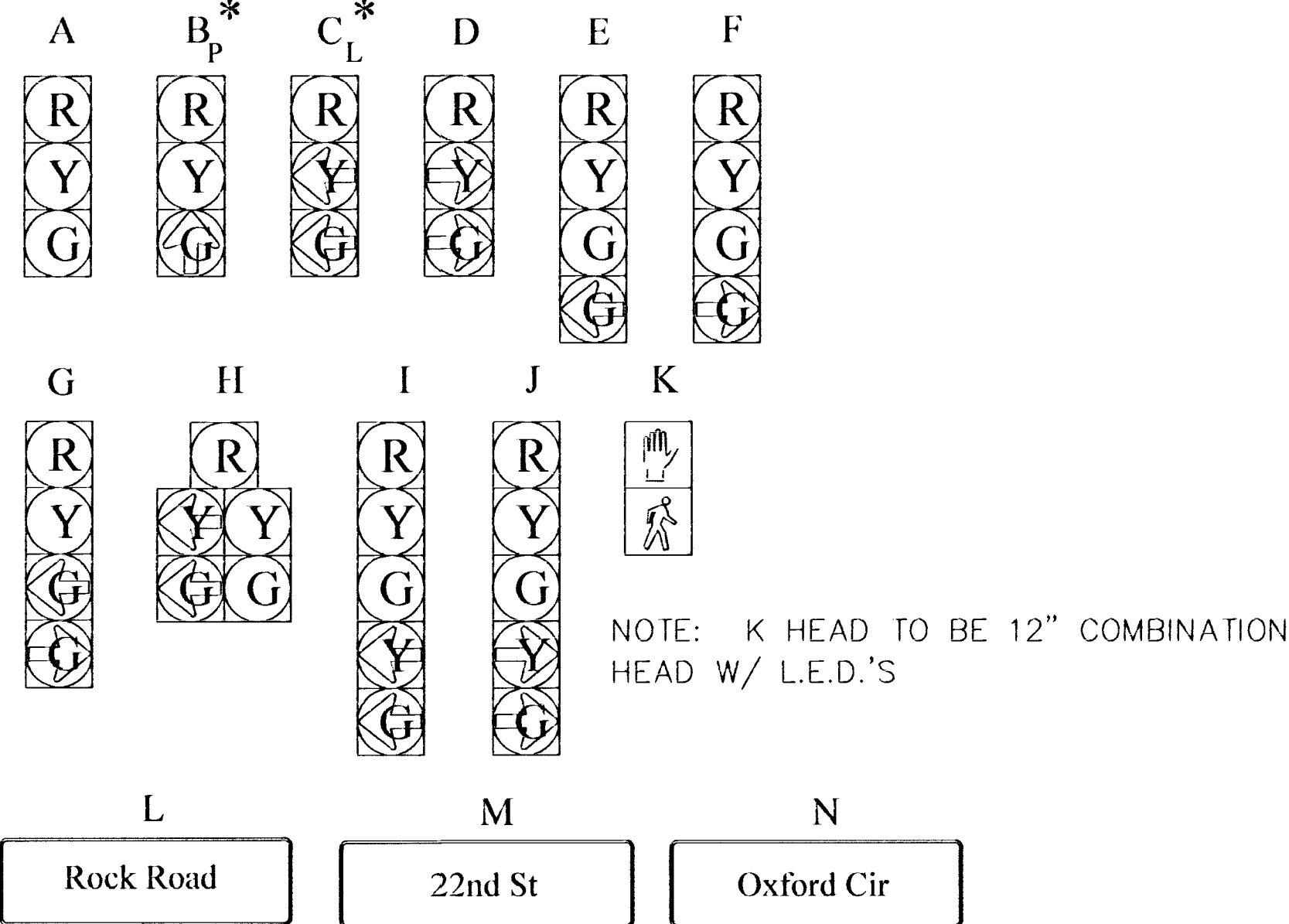


FHWA REG. NO.	STATE	PROJECT NO.	YEAR	SHEET NUMBER	TOTAL SHEETS
7	KANSAS	97N-0197-01	2004	31	51

FED. AID NO. Cnq-N019 (701)

SIGNAL FACE ARRANGEMENT	NO. SECTIONS (PER FACE)	SIGNAL MOUNTING TYPE	QUANTITY
A	3	MAST ARM W/BACKPLATE	16
I	5	MAST ARM W/BACKPLATE	2
C	3	MAST ARM W/BACKPLATE	2
K	2	SIDE-OF-POLE	16
A	3	SIDE-OF-POLE	8
		SIDE-OF-POLE	

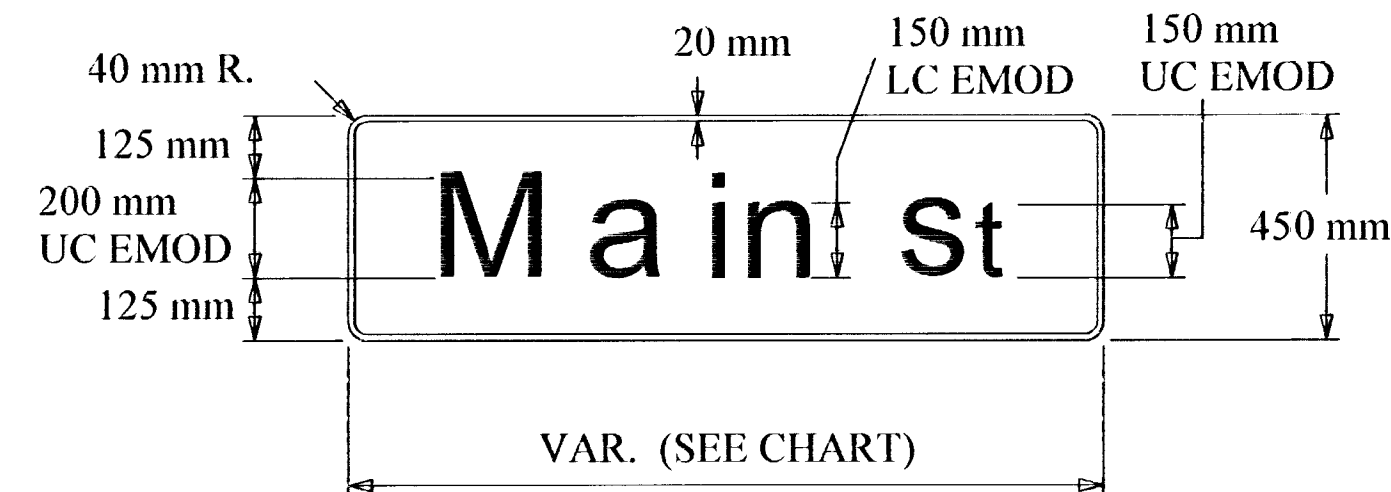


* SUBSCRIPT "P" INDICATES PROGRAMMED SIGNALS;
SUBSCRIPT "L" INDICATES L.E.D. RED LENS.

POLE NO.	SIGNAL ARM LENGTH (m)	SIGNAL ARM MOUNTING HEIGHT	NO. OF SIGNALS ON ARM	SIGNAL SPACING (m)	LUMINAIRE ARM LENGTH	LUMINAIRE MOUNTING HEIGHT	QUANT.	POLE HT.
1 *	17.1	5.7 m**	3	17.1-14.6-11.3	—	—	—	10.7
2 *	8.3	5.7 m**	2	8.3-5.8	—	—	—	10.7
3 *	7.1	5.7 m**	2	7.1-4.7	—	—	—	10.7
4	18.3	5.7 m**	3	18.3-15.9-12.5	—	—	—	6.0
5 *	13.5	5.7 m**	3	13.5-11.0-7.7	—	—	—	10.7
6 *	5.6	5.7 m**	2	5.6-3.1	—	—	—	10.7
7 *	12.1	5.7 m**	2	12.1-9.7	—	—	—	10.7
8	13.8	5.7 m**	3	13.8-11.4-8.0	—	—	—	6.0

* INDICATES JOINT USE POLE ** POLE/MAST ARM CONNECTION SHALL BE ALTERNATIVE FLANGE PLATE DESIGN

SIGN	LEGEND	LENGTH	QUANTITY
L	Rock Rd	2m	4
M	22nd St	2m	2
N	Oxford Cir	2m	2



NOTE :

THE TRAFFIC SIGNAL SYSTEM SHALL BE COMPLETE AND THE CONTRACTOR SHALL FURNISH AND INSTALL ALL EQUIPMENT AND MATERIALS NECESSARY FOR THE SATISFACTORY OPERATION OF ELECTRICAL APPARATUS AND FOR COMPLETE OPERATION OF THE TRAFFIC SIGNAL SYSTEM WHETHER SPECIFICALLY MENTIONED OR NOT.

ITEM	UNIT	22nd QUANTITY	Oxford Cir. QUANTITY
POLE MOUNTED CONTROLLER & CABINET	EACH	—	—
PEDESTAL MOUNTED CONTROLLER & CABINET	EACH	—	—
PAD MOUNTED CONTROLLER & CABINET	EACH	1	1
TRAFFIC SIGNAL HEAD (SEE CHART A) W/ MOUNTING HARDWARE	EACH	18	18
TRAFFIC SIGNAL POLE (SEE CHART B) STEEL	EACH	4	4
TRAFFIC SIGNAL POLE (SEE CHART B) ALUMINUM	EACH	—	—
TRAFFIC SIGNAL PEDESTAL ALUMINUM 15'	EACH	—	—
CONCRETE CONTROLLER PAD	EACH	1	1
CONCRETE FOOTING - PEDESTAL	EACH	—	—
CONCRETE FOOTING - POLE	EACH	4	4
CONDUIT ELBOW 90°	EACH	As Req'd.	As Req'd.
CONDUIT ELBOW 90° 3"	EACH	As Req'd.	As Req'd.
BACK PLATE 5" - 3 SECTION	EACH	10	8
BACK PLATE 5" - 4 SECTION	EACH	—	—
BACK PLATE 5" - 5 SECTION	EACH	—	2
TERMINAL BLOCK	EACH	—	—
SERVICE BOX	EACH	4	4
JUNCTION BOX	EACH	—	—
GROUND ROD & CLAMP	EACH	6	6
CONDUIT CLAMP	EACH	As Req'd.	As Req'd.
RED L.E.D. KIT	EACH	14	14
YELLOW L.E.D. KIT	EACH	12	14
GREEN L.E.D. KIT	EACH	12	14
YELLOW ARROW	EACH	2	2
GREEN ARROW	EACH	2	2
CLASS 4 - WOOD POLE	EACH	—	—
ENTRANCE HEAD	EACH	1	1
CIRCUIT BREAKER & BOX	EACH	1	1
GUY WIRE GUARD	EACH	—	—
GUY WIRE CLAMP	EACH	—	—
THIMBLE EYE ANCHOR ROD	EACH	—	—
PEDESTRIAN PUSHBUTTON W/SIGN	EACH	8	8
DETECTOR LOOP WIRE No. 14 A.W.G. 1/C (TYPE THHN)	LIN. m	—	—
LEAD-IN WIRE No. 6 A.W.G. 1/C (TYPE THNN)	LIN. m	—	—
MULTI-CONDUCTOR CABLE No. 14 A.W.G. 5/C	LIN. m	456	435
MULTI-CONDUCTOR CABLE No. 14 A.W.G. 7/C	LIN. m	287	289
MULTI-CONDUCTOR CABLE No. 14 A.W.G. 2/C	LIN. m	—	—
SHIELDED DETECTOR LEAD-IN No. 14 A.W.G. 2/C	LIN. m	—	—
CONDUIT 19 mm	LIN. m	—	—
CONDUIT 40 mm	LIN. m	—	—
CONDUIT 50 mm	LIN. m	21.3	17.6
CONDUIT 75 mm	LIN. m	129.7	127.1
STANDARD 1C #8 (GROUND)	LIN. m	271	259
STANDARD 1C #8 OR #6 (POWER SUPPLY)	LIN. m	73	24
TETHER WIRE 1/4" ASTM A475 SIEMENS-MARTIN	LIN. m	—	—
GRADE MIN.	LIN. m	—	—
REMOVAL OF EXISTING TRAFFIC SIGNAL EQUIPMENT **	L.S.	—	1
STREET NAME SIGNS - SEE CHART C	EACH	4	4
LEFT TURN SIGNAL (R10-12) W/MOUNTING HARDWARE	EACH	—	2
LEFT TURN SIGNAL (R10-10) W/MOUNTING HARDWARE	EACH	2	—
CAMERA HOUSING	EACH	4	4
VIDEO DETECTION CAMERA AND MOUNTING HARDWARE (RISER BRACKETS)	EACH	4	4
VIDEO DETECTION PROCESSOR UNIT	EACH	4	4
VIDEO POWER CABLE NO 16 AWG 3/C	m	235	231
VIDEO CABLE 75 OHM COAXIAL (BELDON #8281)	m	235	231
TV MONITOR	EACH	1	1
CAMERA CHARGED COUPLING DEVICE	EACH	4	4
LENS ADJUSTING MODULE (ITERIS ADJUST 3 MODULE OR APPROVED)	EACH	1	—

* TRAFFIC SIGNAL POLES, MASTERARMS & CABINET SHALL BE GALVANIZED, THEN POWDER COATED BLACK PER CITY OF WICHITA STANDARDS -QUANTITIES FOR INFORMATION ONLY-

3				
2				
1				
NO	DATE		BY	APPD

KANSAS DEPARTMENT OF TRANSPORTATION

TYPE 170E SYSTEM
TRAFFIC SIGNAL QUANTITIES SHEET

THWA APPROVAL	0518/98	APPD	Linda G. Voss, PE
DESIGNED	JFF	DETAILED	JFF
DESIGNED	DACC	DETAILED	DACC
QUANTITIES	JFF	QUANTITIES	JFF
TRACED	JFF	TRACED	JFF
QUAN. CK.	DACC	QUAN. CK.	DACC
TRACED	DACC	TRACED	DACC

04/28/98