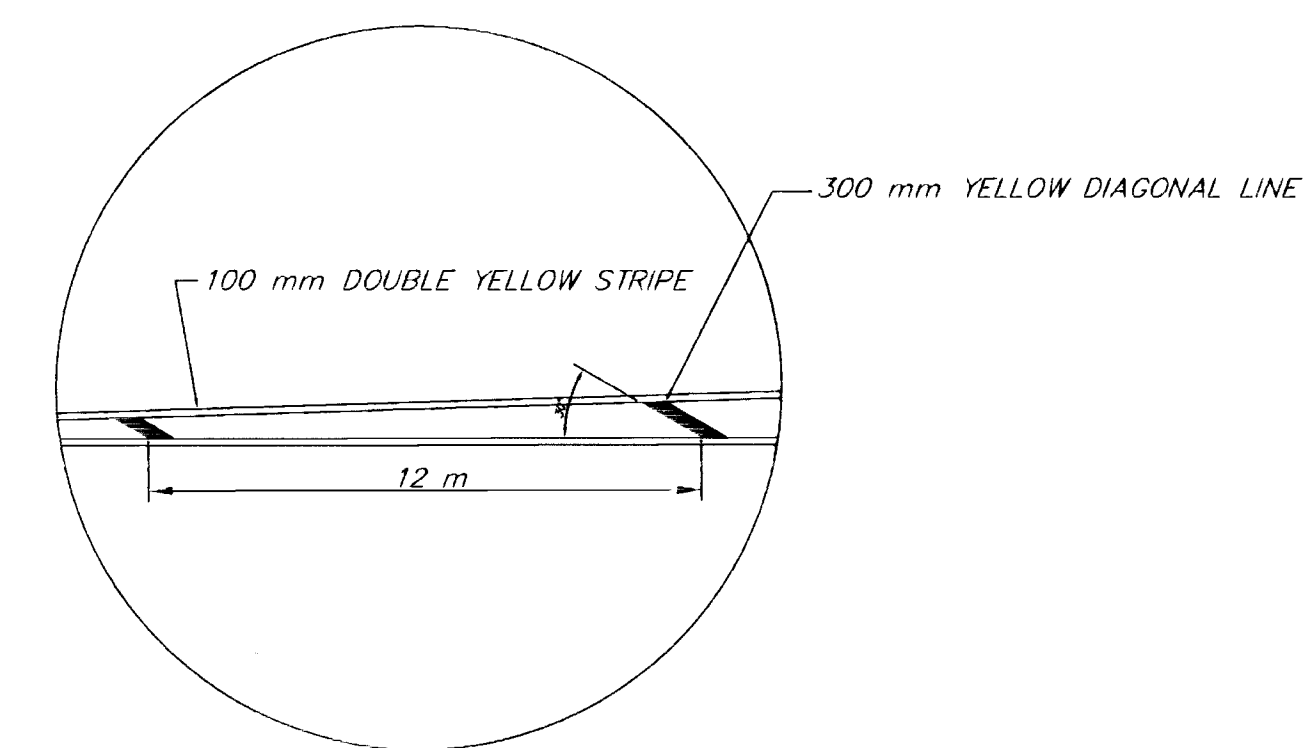
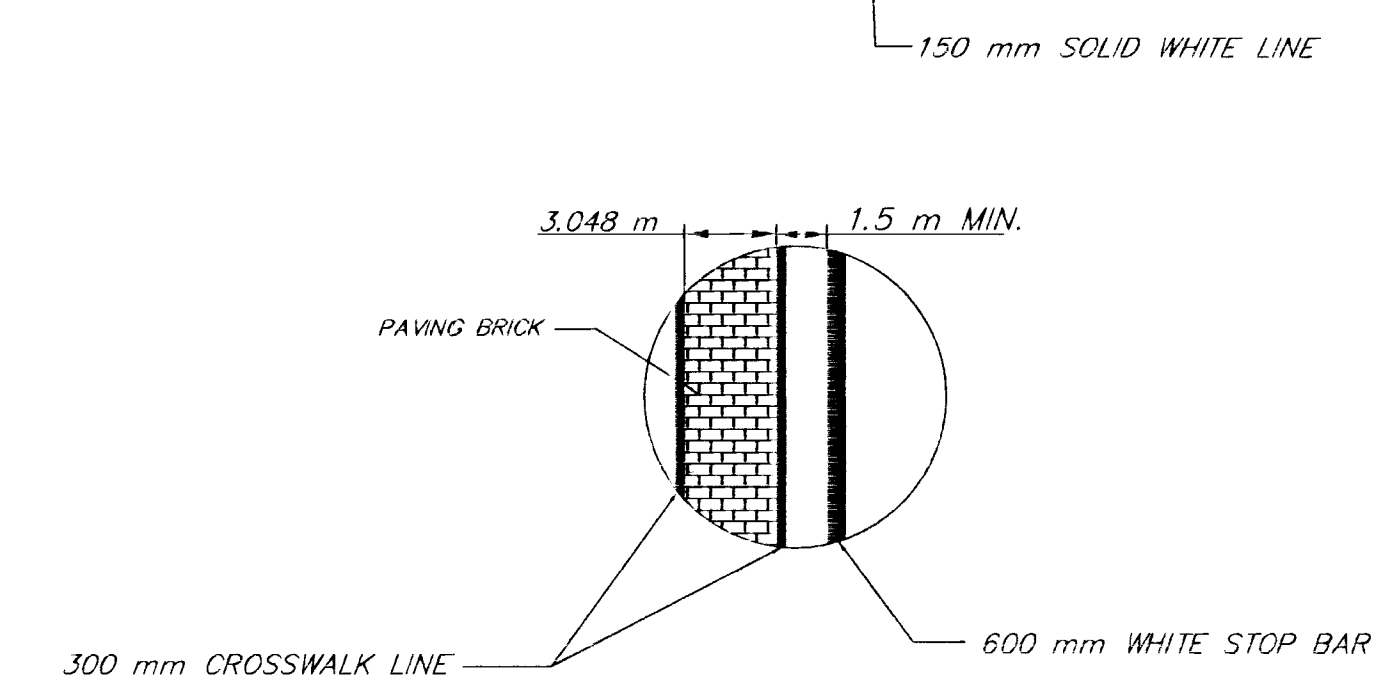
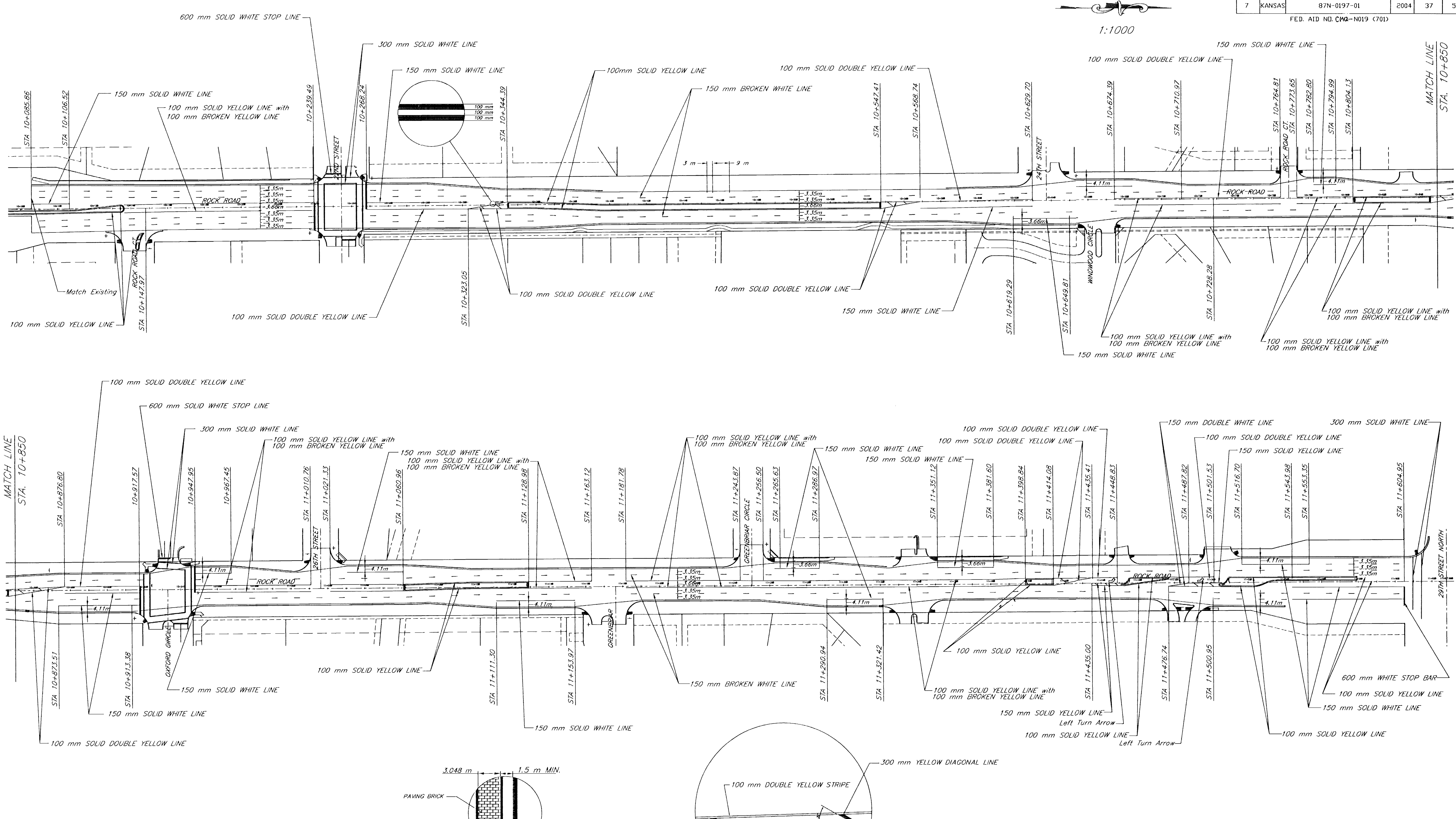


FHWA REG. NO.	STATE	PROJECT NO.	YEAR	SHEET NUMBER	TOTAL SHEETS
7	KANSAS	87N-0197-01	2004	37	51

FED. AID NO. CM2-0019 (701)



**Rock Road-21st Street North to 29th Street North  
Pavement Marking Plan  
City of Wichita**

		PROJECT NUMBER 472-83889	
		KEM NO. 02042 DESIGN KM	FILE pvmarking DRAWN RR

516 S. Market, Wichita, KS 67202      316/264-0242