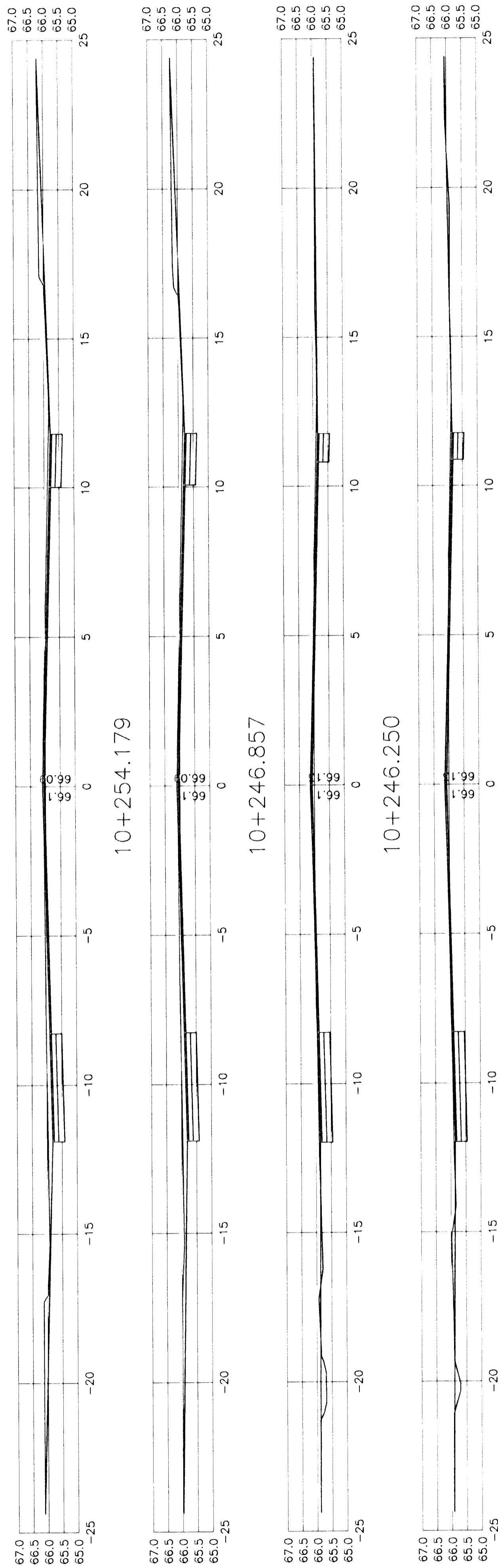
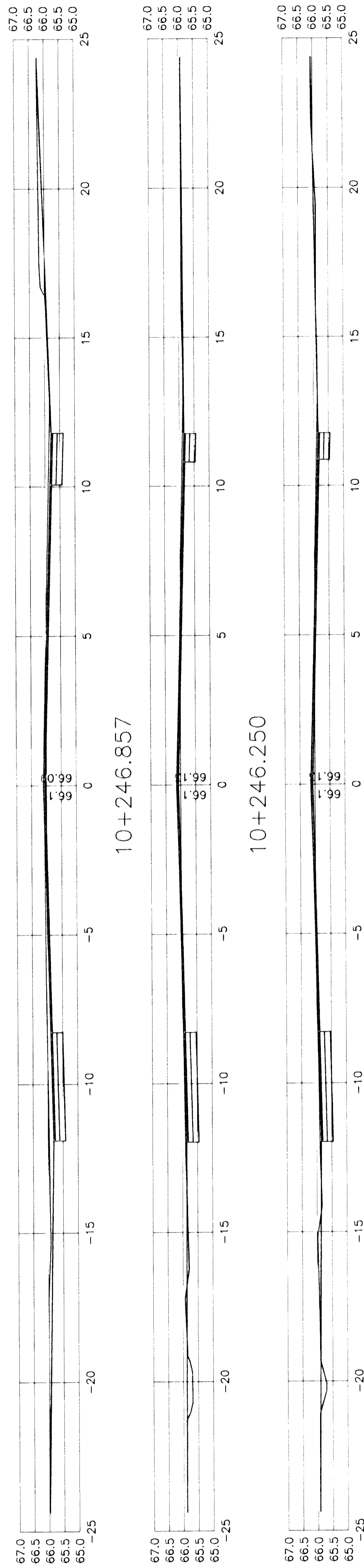


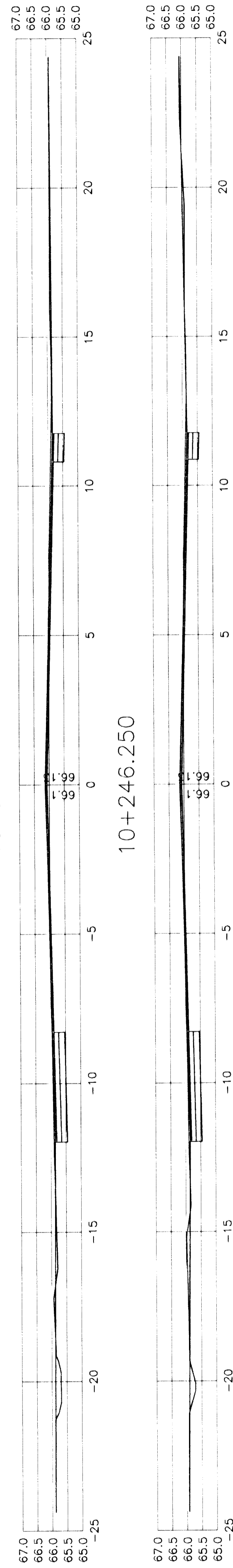
10+254.478



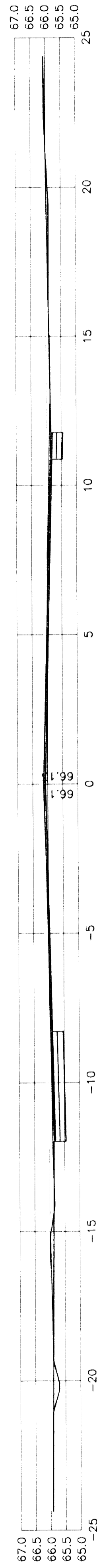
10+254.179



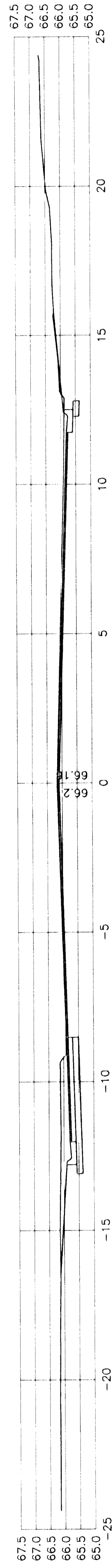
10+246.857



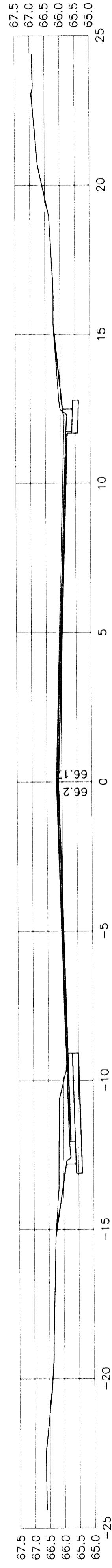
10+246.250



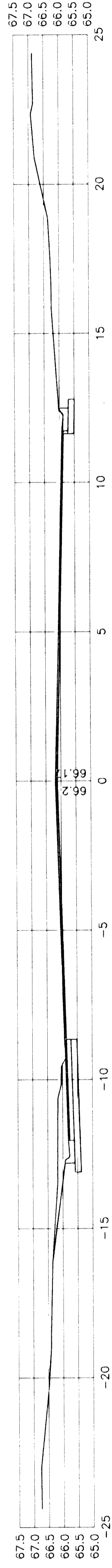
10+240



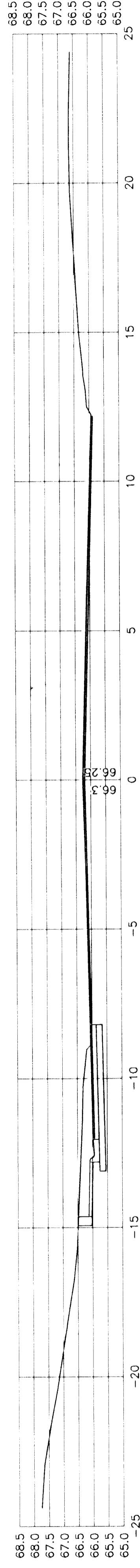
10+237.713



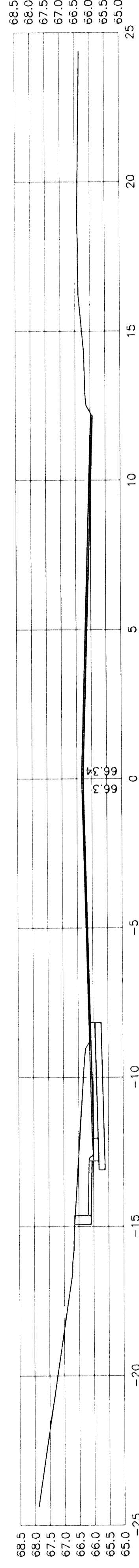
10+237.106



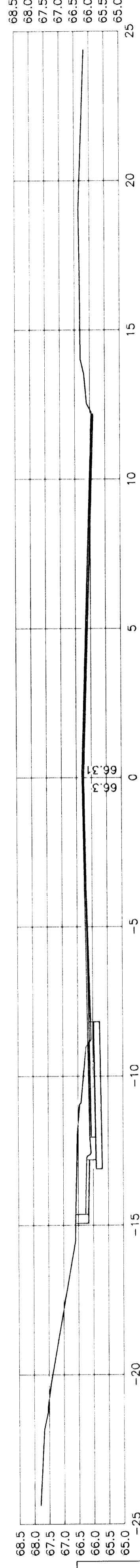
10+220



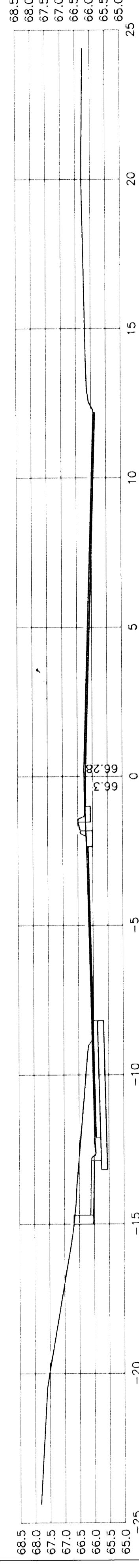
10+200



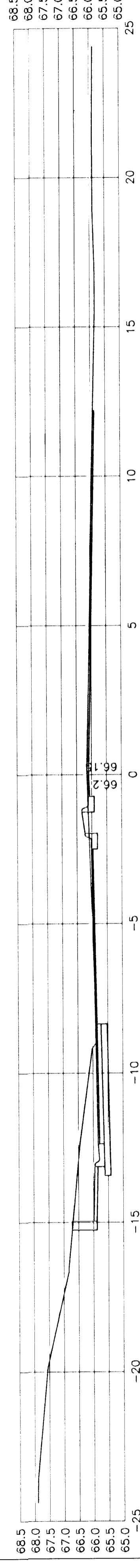
10+180



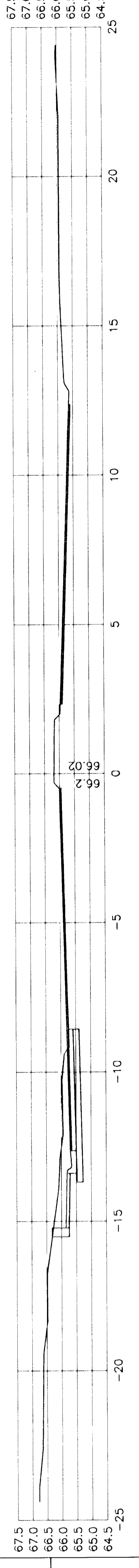
10+160



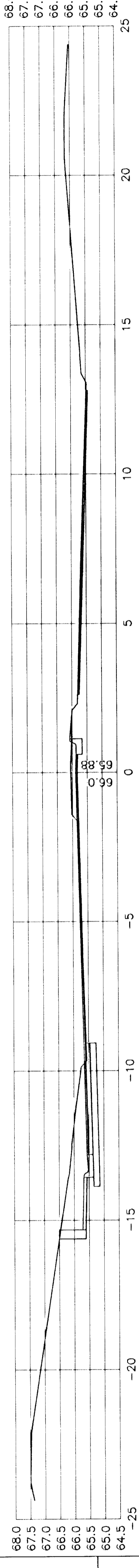
10+140



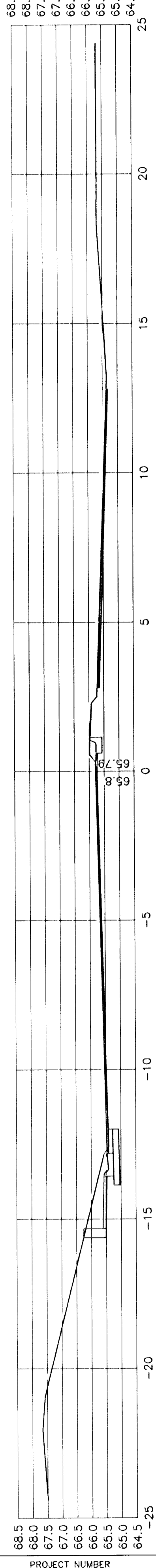
10+120



10+100



10+085.865



Rock Road - 21st Street North to 29th Street North
 Sta. 10+085.865 to 10+254.478
 City of Wichita



516 S. Market,
 Wichita, KS 67202 316/264-0242

PROJECT NUMBER 472-83889			
KEM NO. 02042	FILE Xsections	DATE 9/2002	SHEET 44
DESIGN	DRAWN	REVISED 12/2003	OF 51