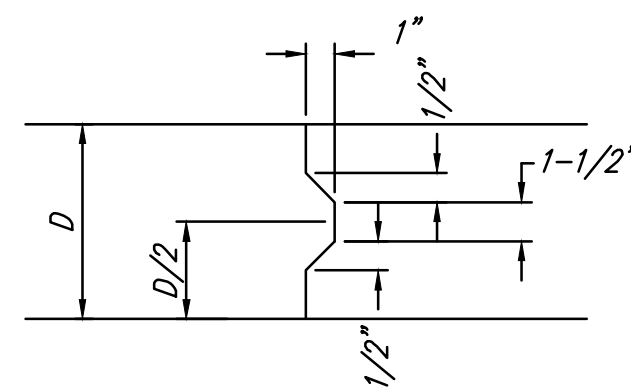
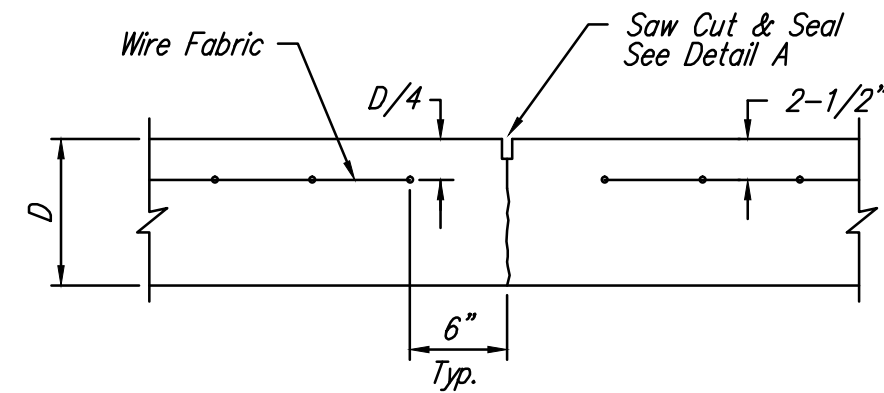


EXPANSION JOINT

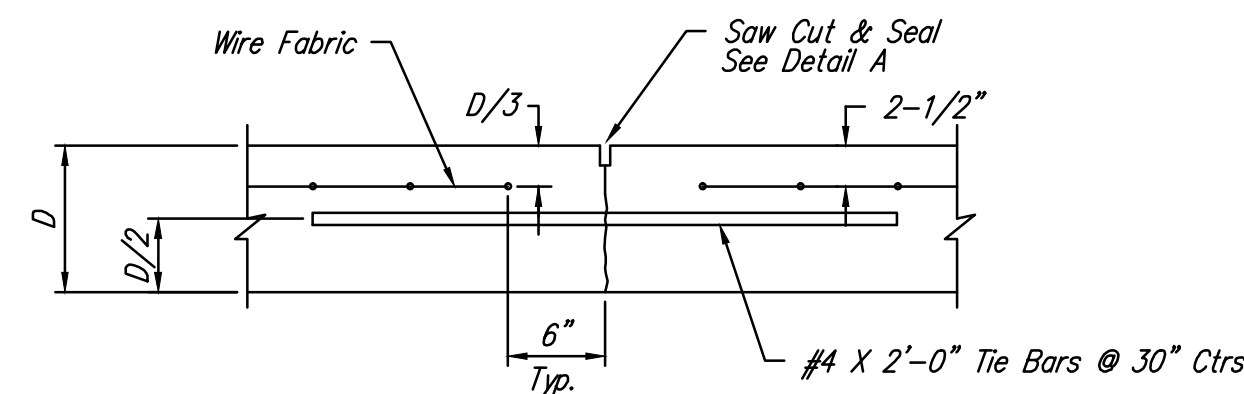
NOTE: Extra Thickness to be Subsidiary to Price of Square Yards Pavement



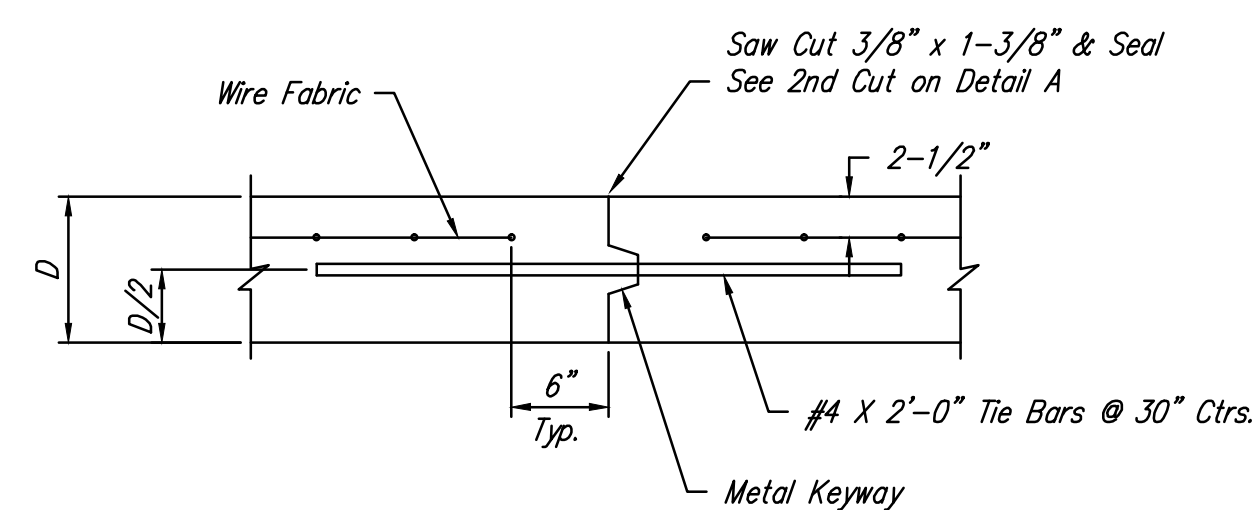
KEYWAY DETAIL



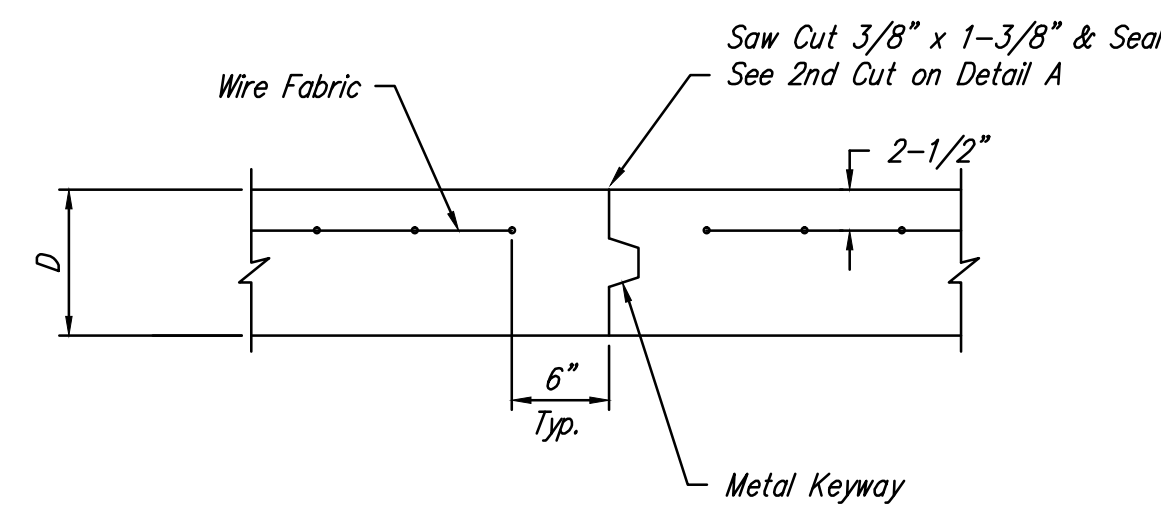
CONTRACTION JOINT DETAIL (C.J.)



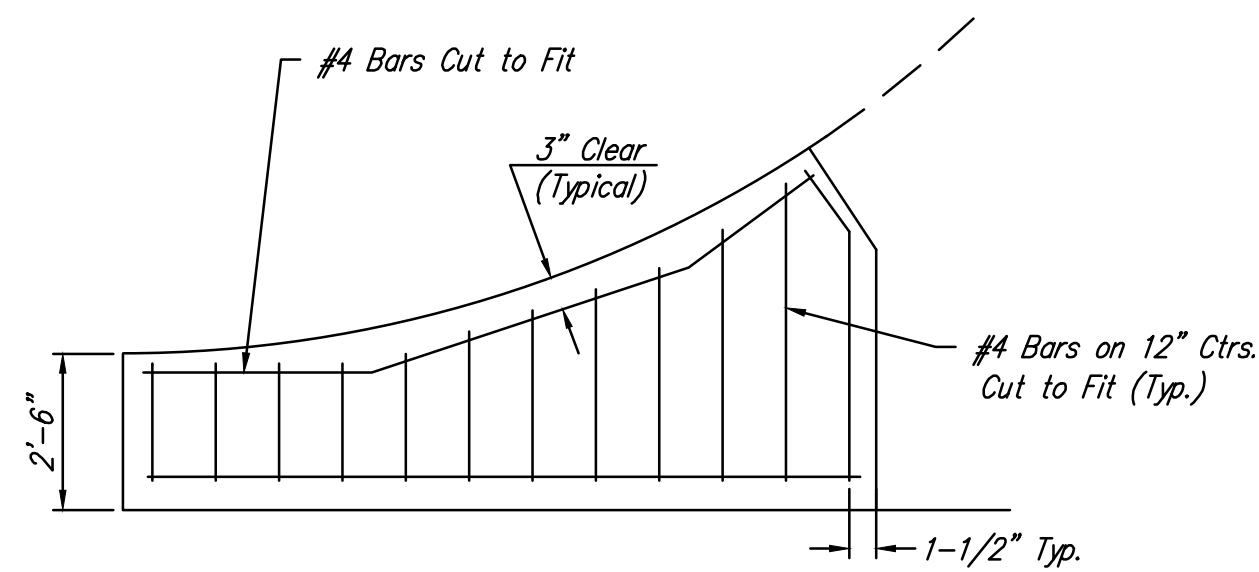
LONGITUDINAL JOINT DETAIL (L.J.)



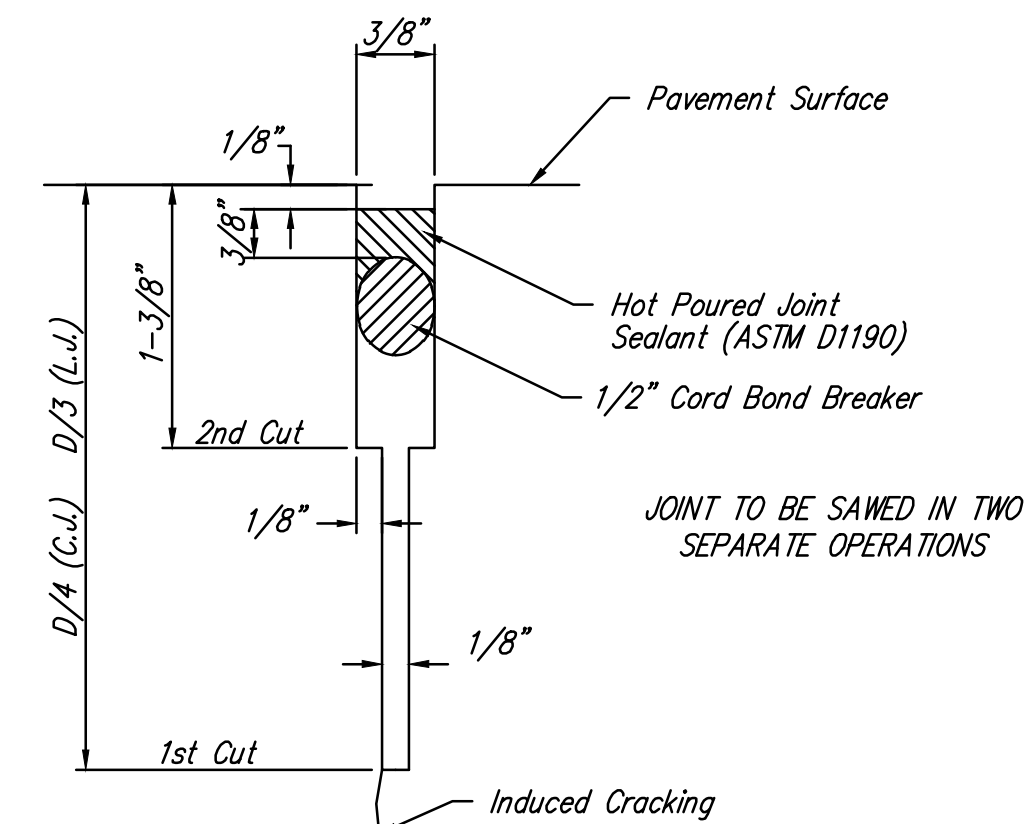
OPTIONAL LONGITUDINAL JOINT DETAIL (L.J.)



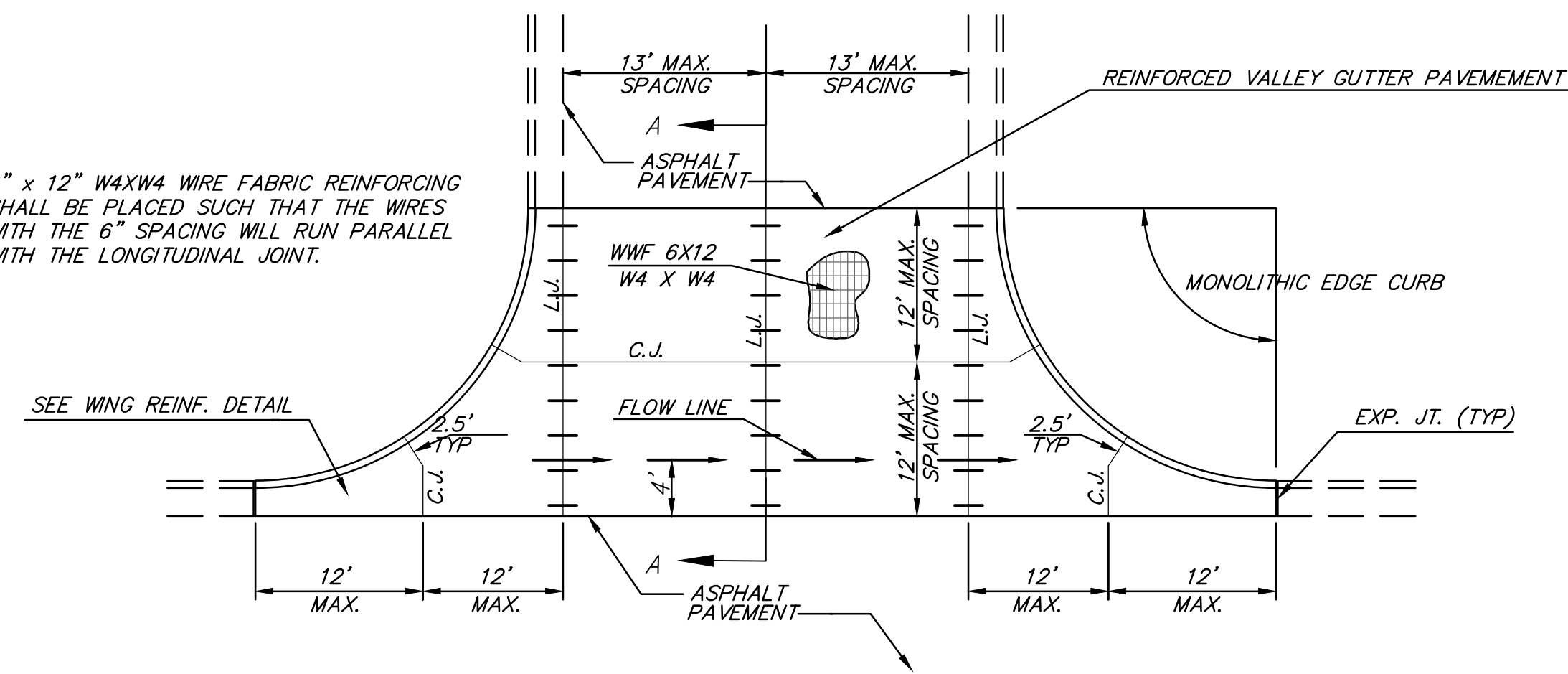
OPTIONAL CONTRACTION JOINT



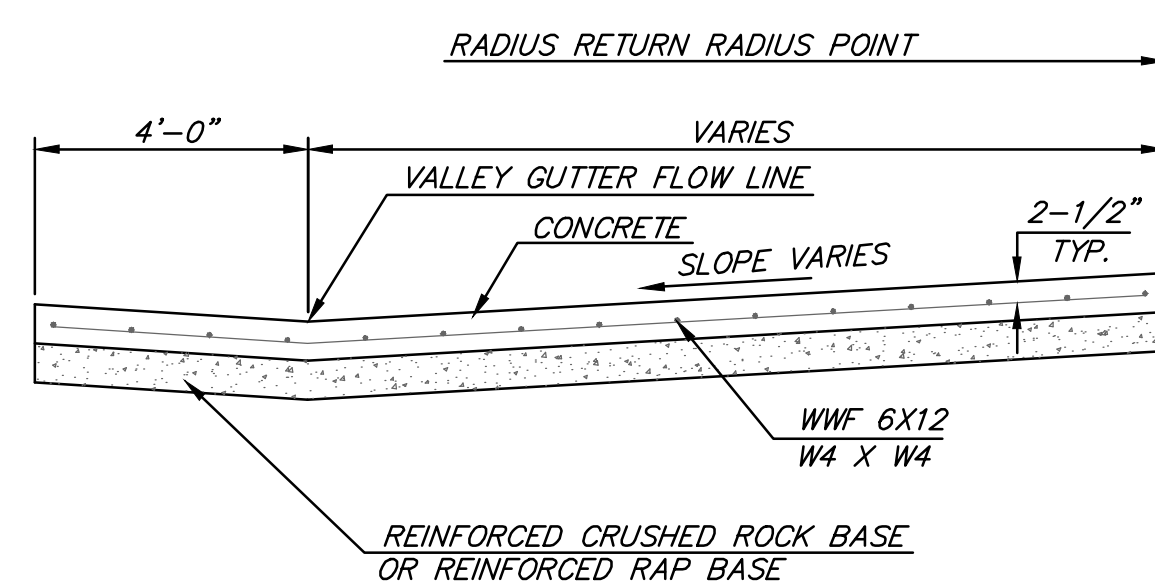
WING REINFORCING DETAIL



SAW JOINT DETAIL



PLAN

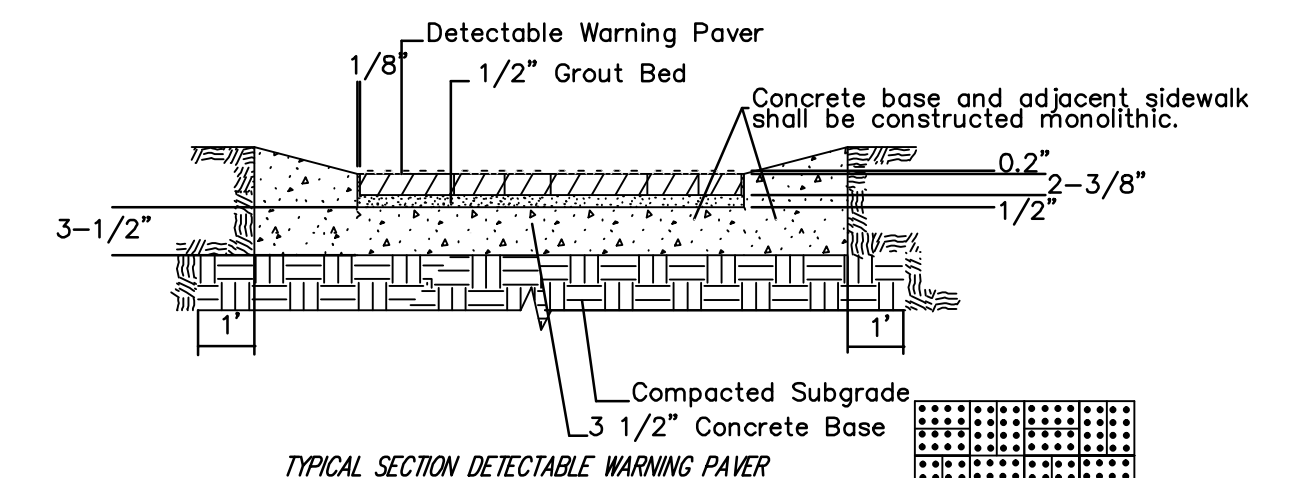
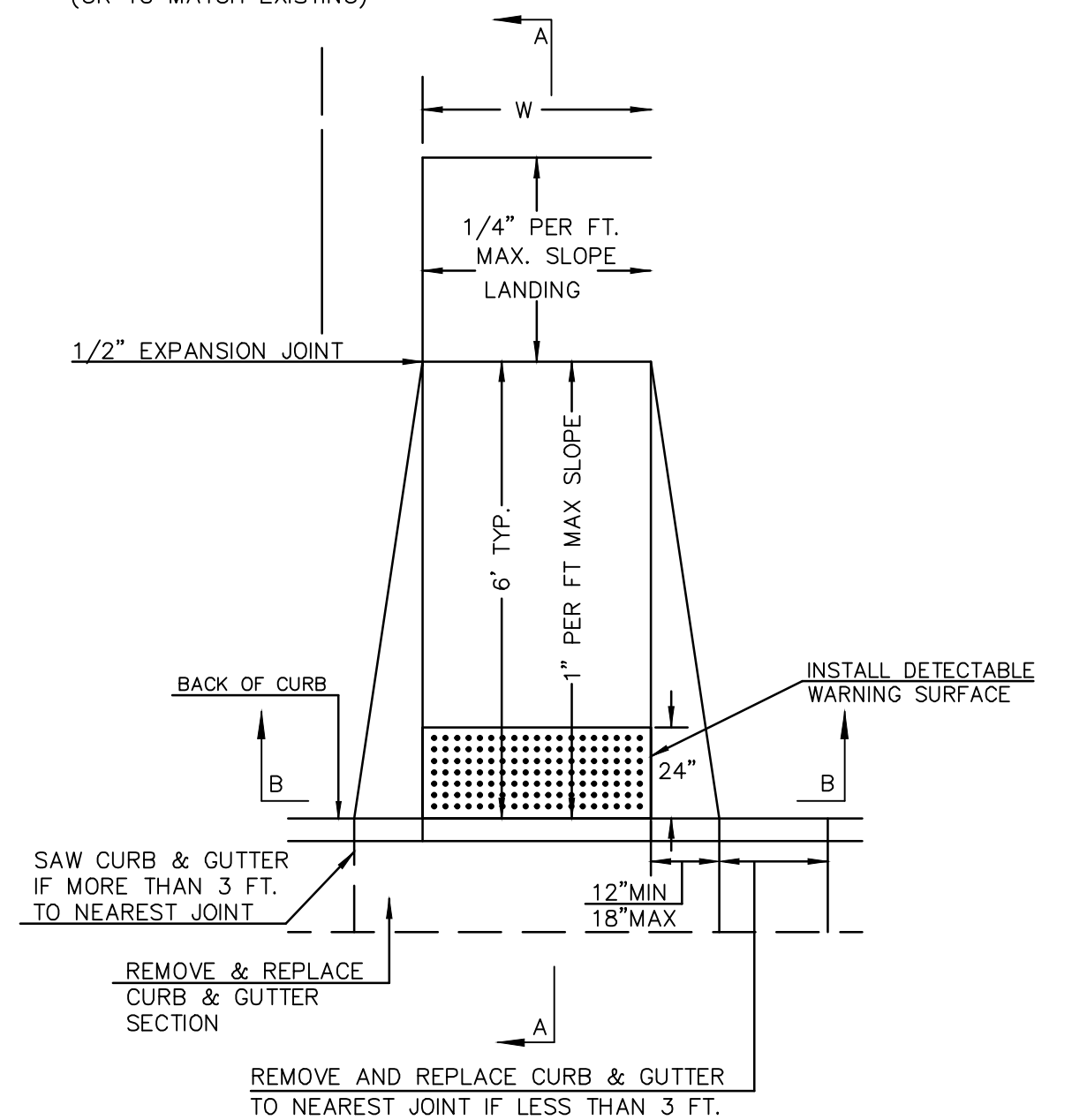


SECTION A-A

REINFORCED VALLEY GUTTER DETAIL

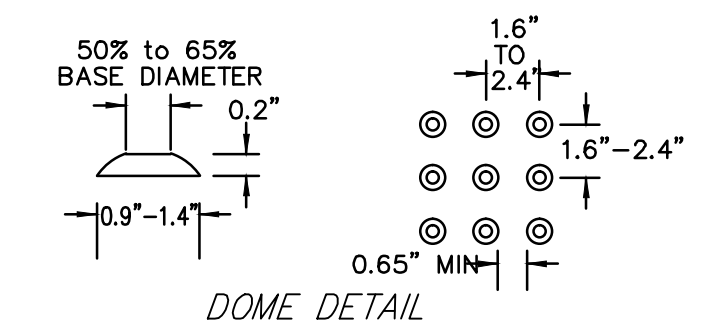
(TYPE A)  
STANDARD WHEELCHAIR RAMP  
WITH DETECTABLE WARNING  
CONSTRUCTION DETAIL FOR STREETS  
WITH COMBINED CURB & GUTTER

W= 4'-0" FOR STANDARD RAMP  
W= 5'-0" FOR RAMP AT SCHOOL CROSSWALKS  
(OR TO MATCH EXISTING)

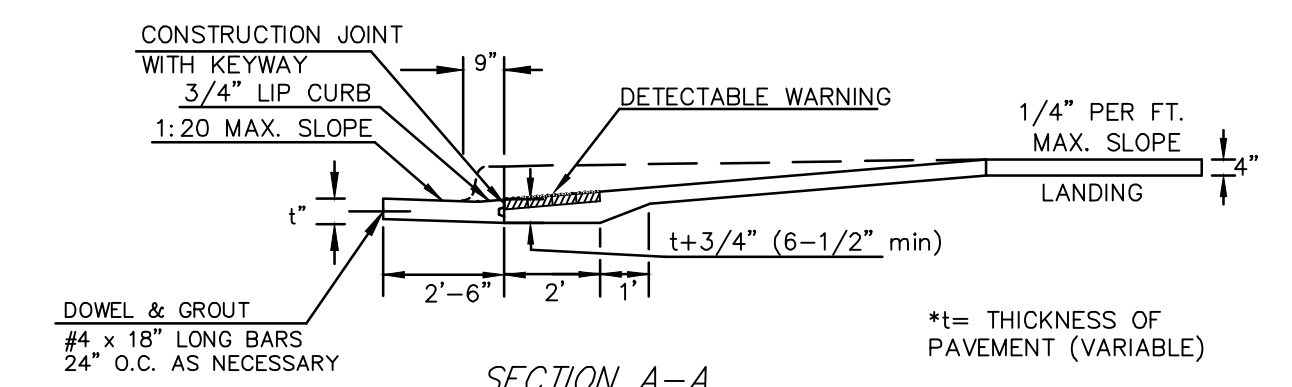


NOTE: RAMPS TO COMPLY WITH LATEST ADAAG GUIDELINES. PAVESTONE DETECTABLE WARNING PAVERS (OR AN APPROVED EQUAL) SHALL BE USED IN ALL WHEELCHAIR RAMPS. THE RED PAVER SHALL BE INSTALLED USING A BASKET WEAVE/PARQUET PATTERN. OTHER PATTERNS MAY BE USED WITH APPROVAL OF ENGINEER. SAND FILL JOINTS. ALIGN DOMES IN THE DIRECTION OF PEDESTRIAN TRAVEL.

SECTION B-B



DOMES DETAIL



SECTION A-A

<p>CITY OF WICHITA PUBLIC WORKS &amp; UTILITIES ENGINEERING DIVISION</p>	<p>VALLEY GUTTER DETAILS WHEELCHAIR RAMP DETAILS</p>		
	<p>CITY ENGINEER GARY JANZEN, P.E.</p>		
	<p>PROJECT NUMBER 472-85175</p>	<p>OCA NUMBER 766321</p>	<p>DATE</p>
	<p>CITY ENGINEER'S OFFICE CITY HALL - SEVENTH FLOOR 455 NORTH MAIN STREET WICHITA, KANSAS 67202-1620 (316) 268-4501</p>		<p>SHEET 5 24</p>