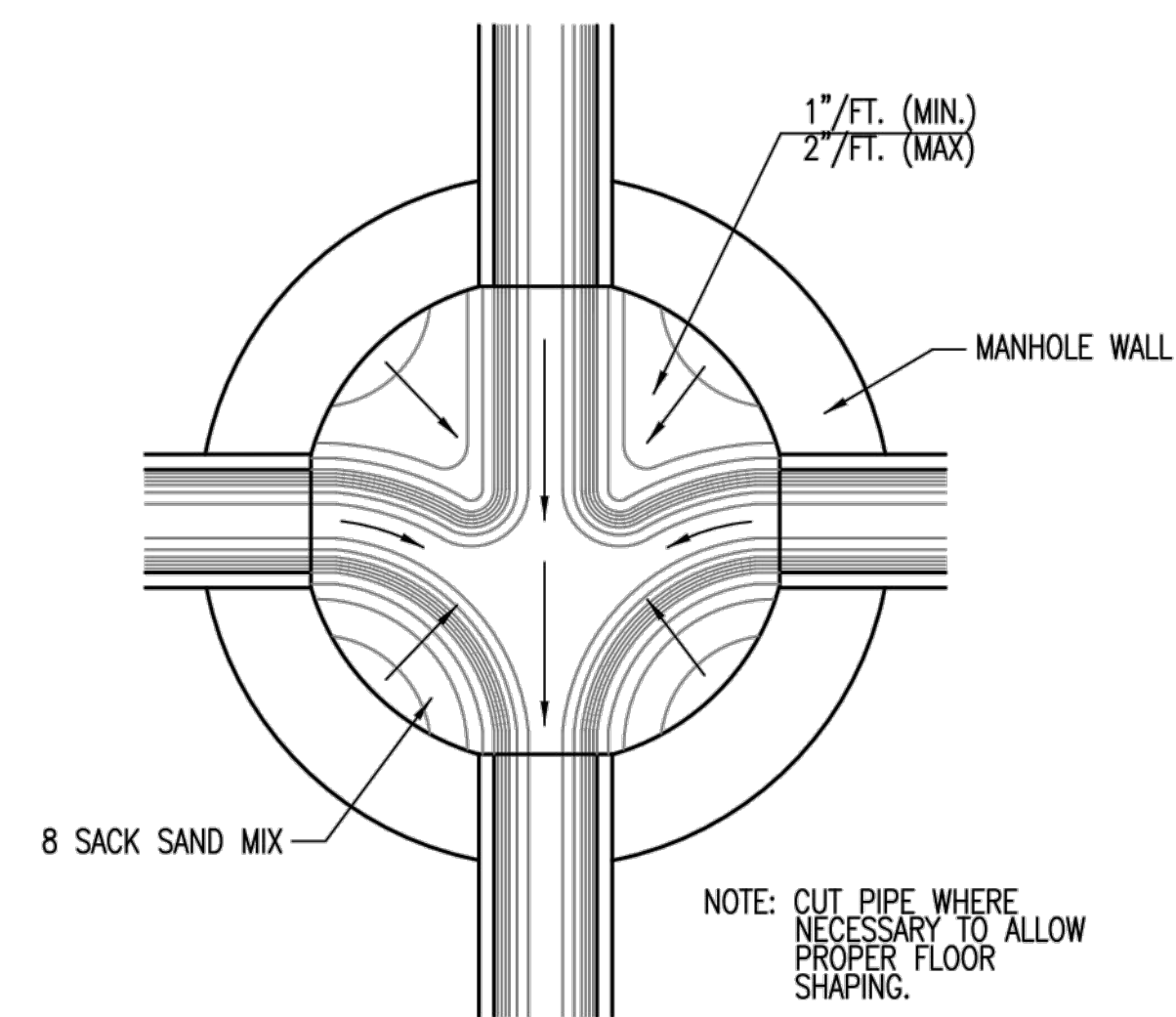
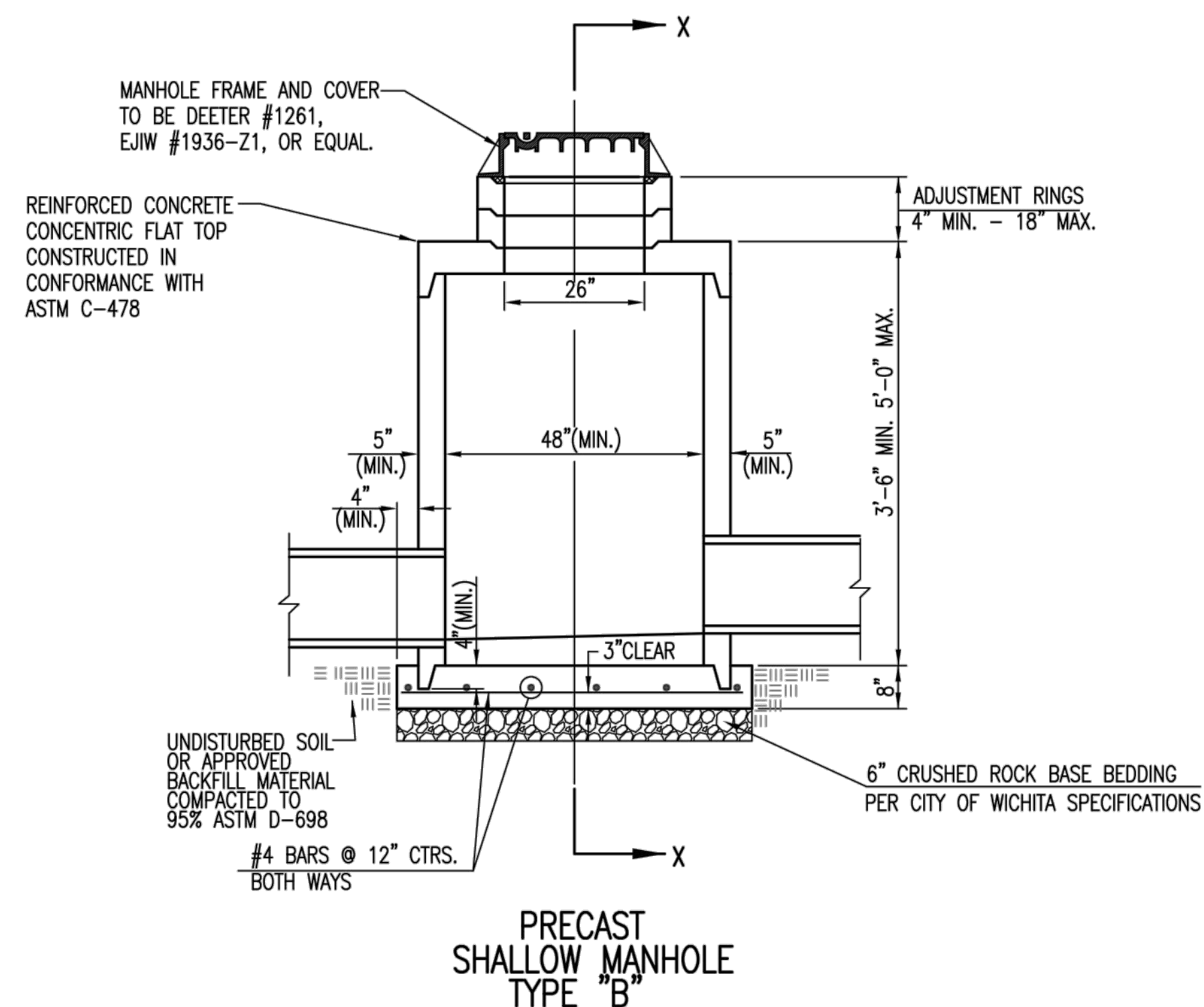


SECTION X-X
(TYPICAL)



TYPICAL MANHOLE
FLOOR SHAPING

GENERAL NOTES

1. IF, IN THE OPINION OF THE ENGINEER, THE MANHOLE SUBGRADE APPEARS UNSTABLE, THE CONTRACTOR WILL HAVE THE OPTION TO COMPACT SUBGRADE AS SHOWN OR INCREASE THE THICKNESS OF THE MANHOLE BASE AS DIRECTED BY THE ENGINEER.
2. STEEL REINFORCING WILL BE REQUIRED IN ALL MANHOLE BASES.
3. ALL MANHOLE CONSTRUCTION SHALL BE WATER TIGHT.
4. TOP OF MANHOLE FLOOR SLAB SHALL BE AT LEAST 3 INCHES BELOW THE FLOW LINE OF THE OUTLET PIPE TO INSURE SUFFICIENT MINIMUM THICKNESS OF SHAPED INVERT.
5. ALL PRECAST CONCRETE MANHOLE SECTIONS SHALL CONFORM TO THE LATEST REVISION OF ASTM C-478 AS MODIFIED BY THE SPECIFICATIONS.
6. CONCRETE USED FOR MANHOLE CONSTRUCTION SHALL CONFORM TO CITY OF WICHITA SPECIFICATIONS FOR CONCRETE PAVEMENT MIX.
7. PRECAST MANHOLES SHALL BE SET AT LEAST 4 INCHES INTO MANHOLE BASE.
8. MANHOLES WITH PIPE SIZES 24" AND LARGER SHALL HAVE 5 FOOT INSIDE DIAMETER (MIN.)
9. MANHOLES WITH PRECAST BASES MAY BE USED AT THE CONTRACTORS OPTION. THESE MANHOLES SHALL HAVE AN 8" MINIMUM BASE THICKNESS AND SHALL BE PLACED ON AN 8" MIN. CRUSHED ROCK BASE. PIPES SHALL BE ENCASED WITH CRUSHED ROCK TO AT LEAST 3 FEET FROM THE MANHOLE WALL.
10. CONTRACTOR SHALL REMOVE LIFTING HOOKS AFTER INSTALLATION. RECESSES IN MANHOLE WALL SHALL BE GROUTED FLUSH TO THE MANHOLE WALL WITH HYDRAULIC CEMENT AFTER THE MANHOLE IS IN PLACE. LIFTING HOLES THRU THE MANHOLE WALL WILL NOT BE ACCEPTED.
11. THE ENDS OF ALL PIPES IN MANHOLES SHALL BE CUT OFF FLUSH WITH THE INSIDE FACE OF THE MANHOLE WALL.
12. MANHOLE INVERT SHALL BE SHAPED WITH 8 SACK SAND MIX CONCRETE TO CREATE FLOW CHANNELS AND TO INCREASE HYDRAULIC EFFICIENCY SUCH THAT THE MANHOLE WILL BE SELF CLEANING BETWEEN ALL INLET AND/OR OUTLET PIPES.
13. MANHOLE FRAME AND COVER TO BE DEETER #1261, EJIW #1936-Z1, OR APPROVED EQUAL, SEE SW-303.
14. FOR FLAT GRATED INLET APPLICATION, GRATE TO BE DEETER #1933, EJIW #1205 MDI, OR APPROVED EQUAL.
15. FOR BEEHIVE GRATE APPLICATION, GRATE TO BE DEETER #4495, EJIW #120545, OR APPROVED EQUAL.

CITY OF WICHITA
PUBLIC WORKS & UTILITIES
ENGINEERING DIVISION

PRECAST CONCRETE MANHOLE (STORM SEWER)		
CITY ENGINEER GARY JANZEN, P.E.		
PROJECT NUMBER 472-85915	OCA NUMBER 707086	DATE 11/2010
CITY ENGINEER'S OFFICE CITY HALL - SEVENTH FLOOR 455 NORTH MAIN STREET WICHITA, KANSAS 67202-1620 (316) 268-4501		SHEET 26
		59