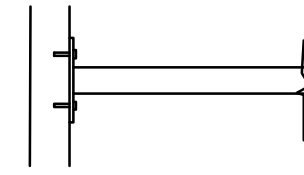
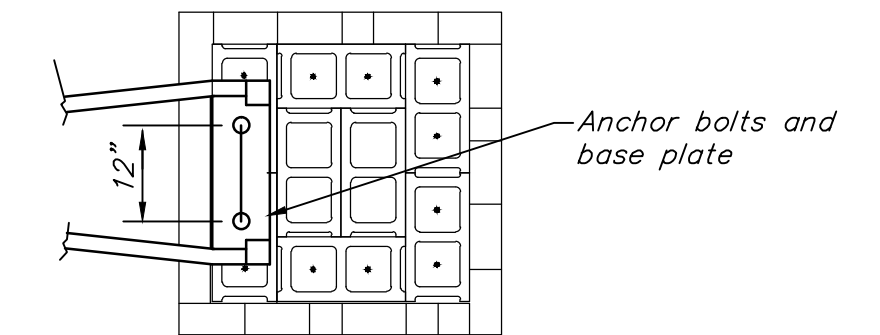
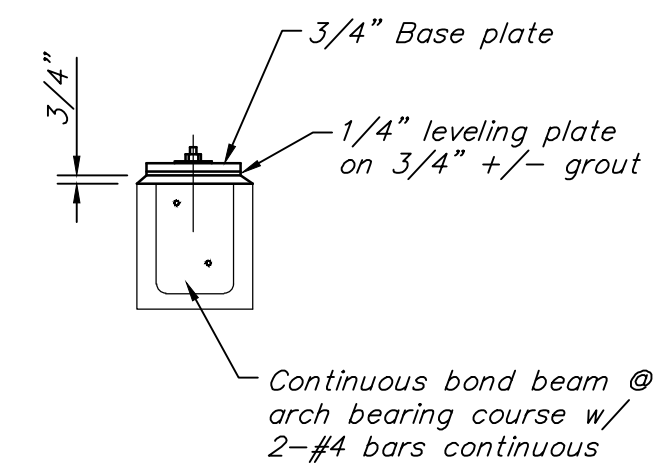


Section @ Column "A"

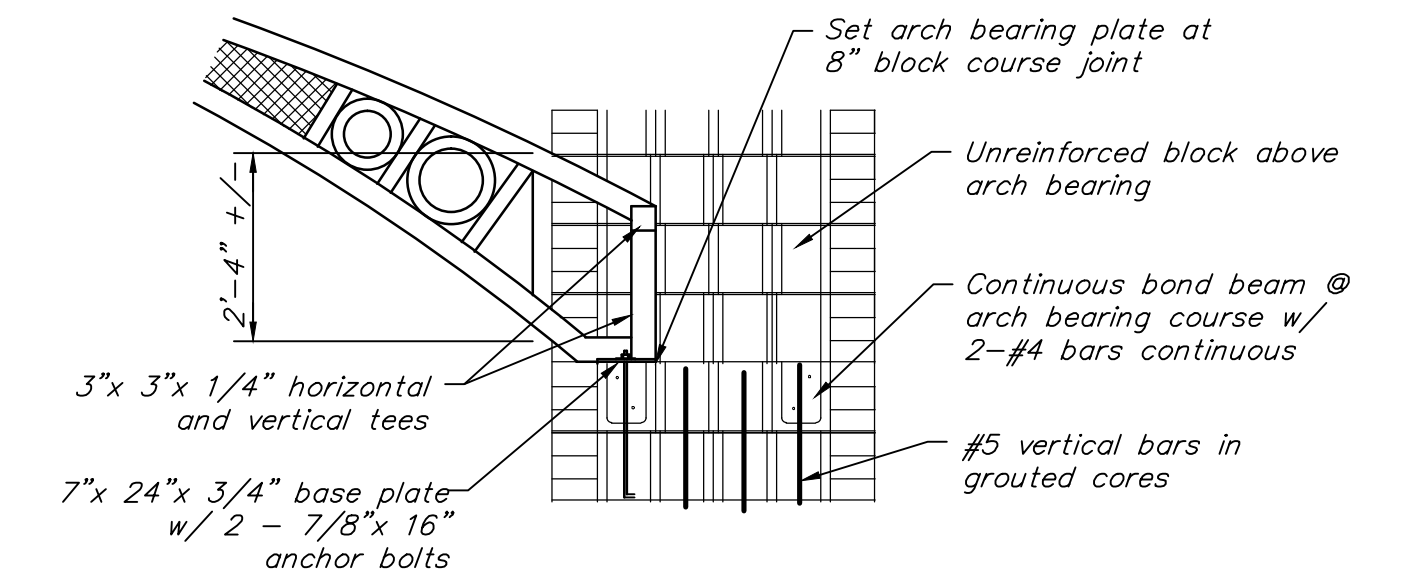


Plan @ Column "A"

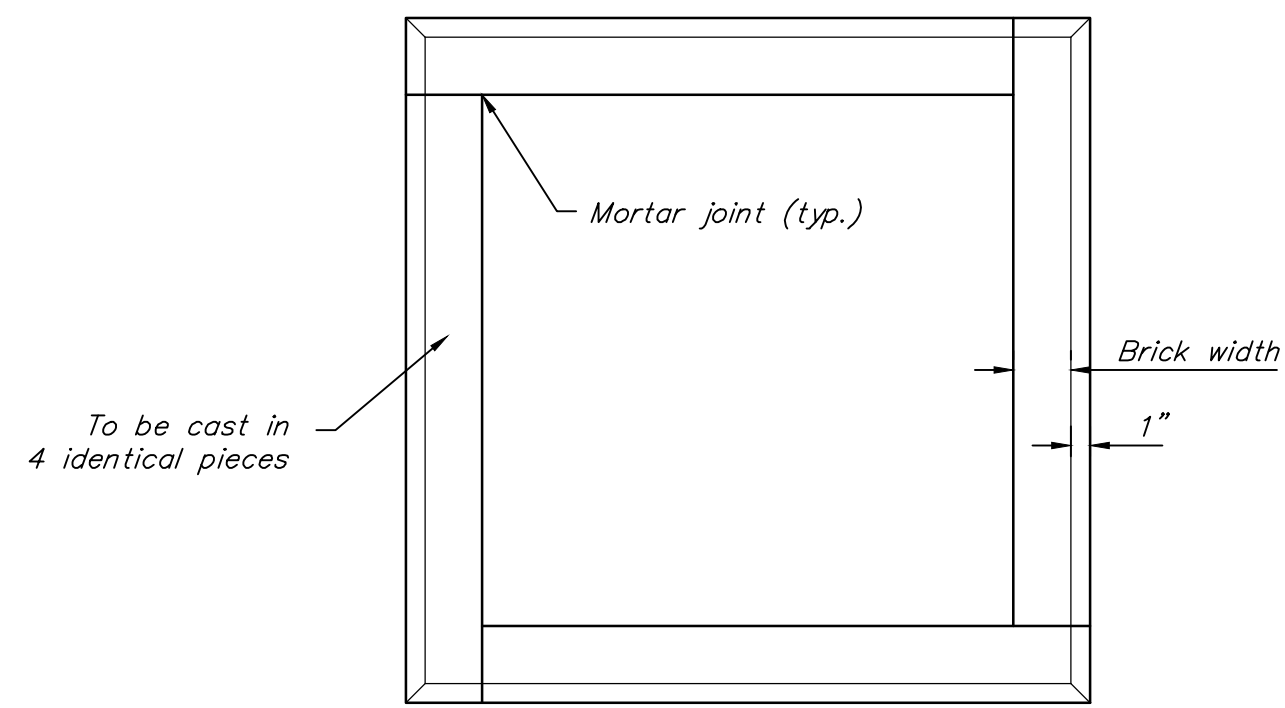
SMALL ARCH CONNECTION TO COLUMN "A"



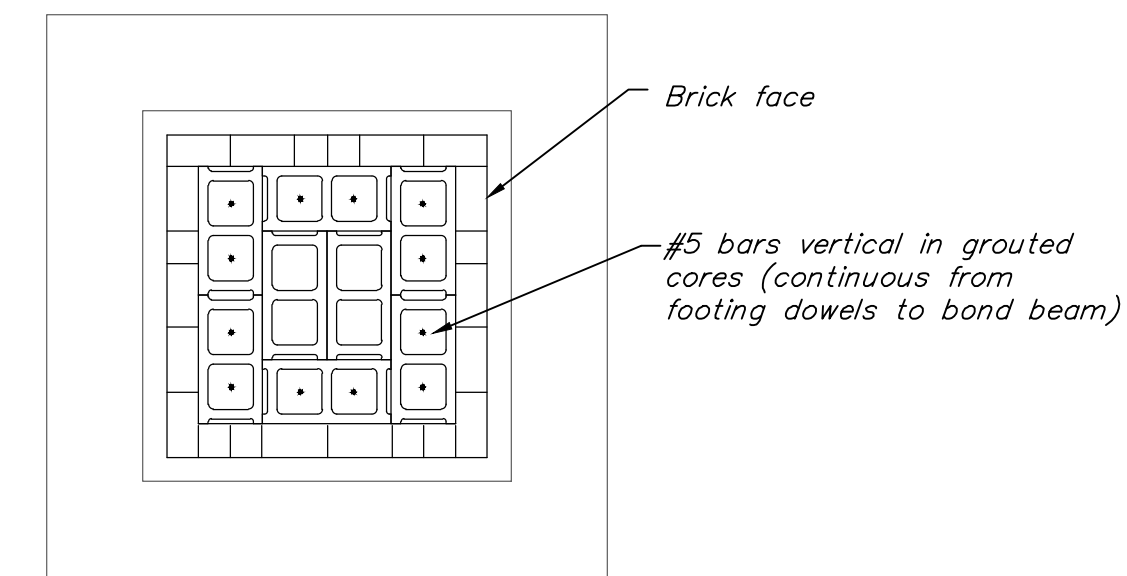
PLAN @ ARCH BEARING



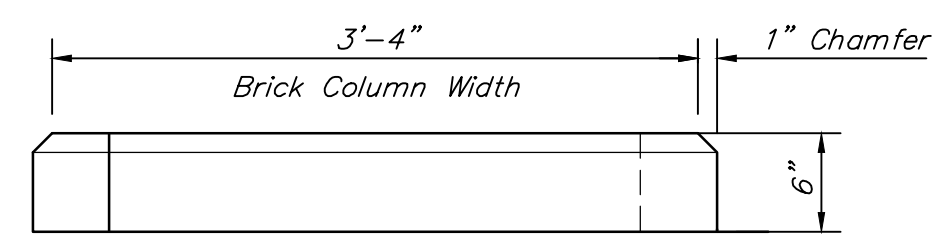
COLUMN SECTION @ ARCH BEARING



Plan

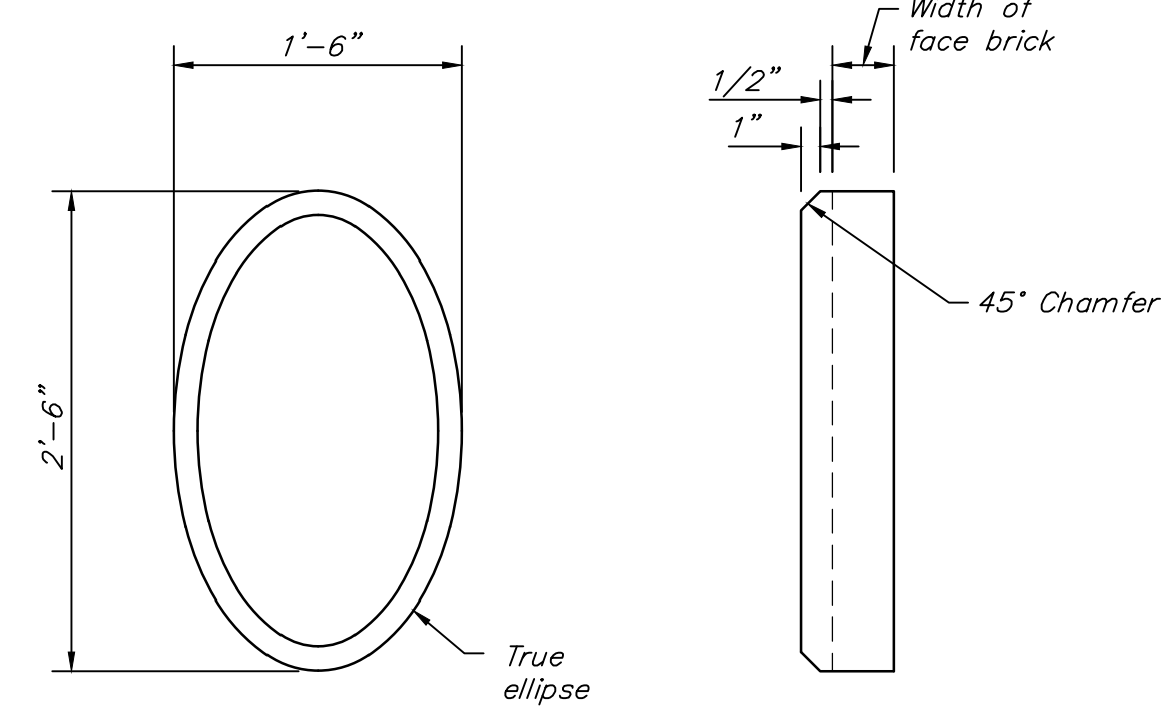


COLUMN "A" BLOCK PLAN

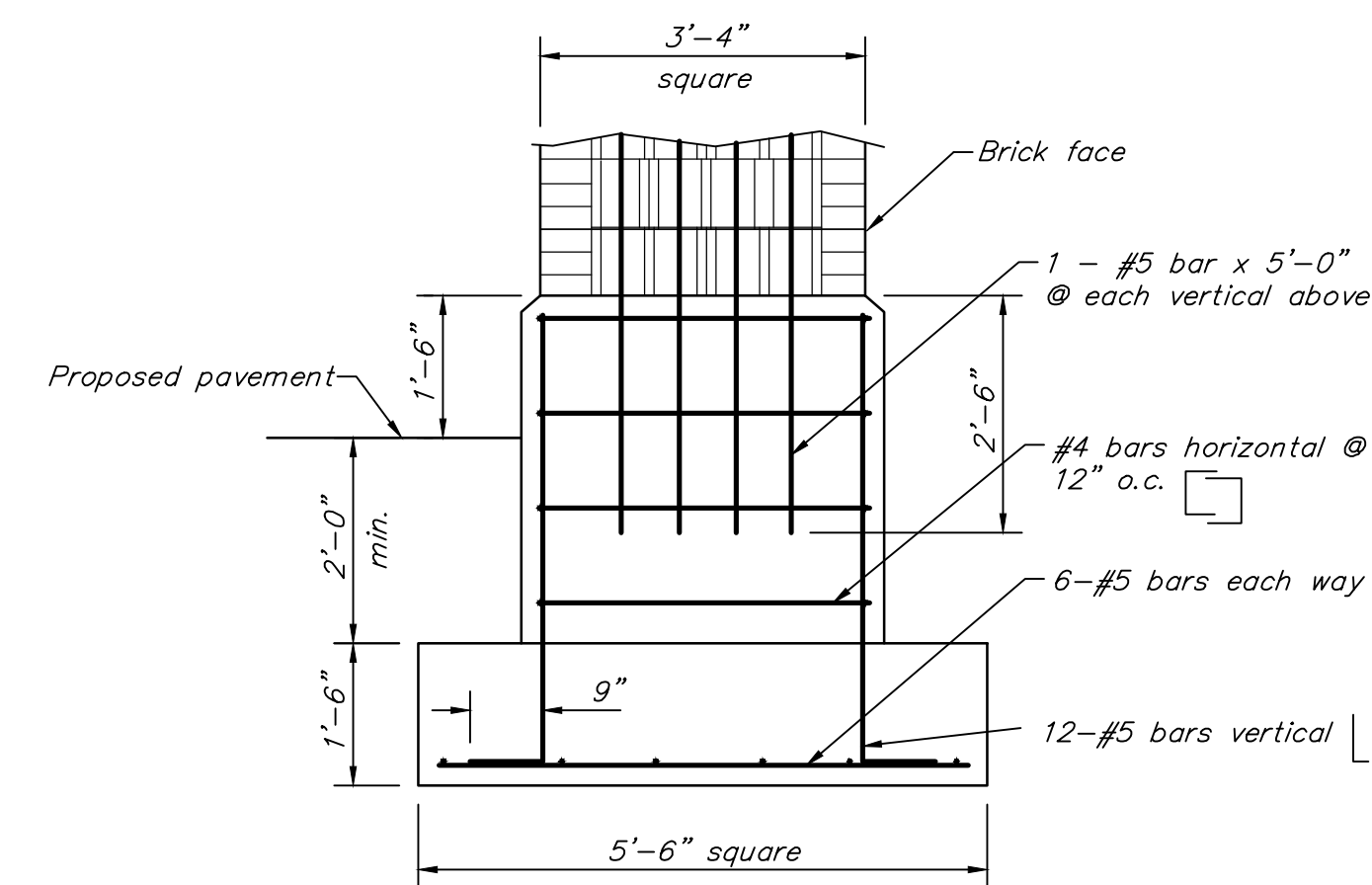


Elevation

CONCRETE CENTER PIECE COLUMN "A"



CONCRETE ORNAMENT COLUMN "A"



COLUMN SECTION @ FOOTING COLUMN "A"

MOSLEY & ROCK ISLAND		ALT 4 - Old Town Arch	
	RUGGLES & BOHM		DATE Dec. 2, 2015
	<small>ENGINEERING SURVEYING LANDSCAPE ARCHITECTURE GOVERNMENT</small> 924 NORTH MAIN WICHITA, KANSAS 67203 P (316) 264-8008 F (316) 264-4621 WWW.RB&B.COM		DESIGN BT/DK
PROJECT NUMBER 472-85915	RB JOB NO. 4531T	DWG. SCALE 10	DRAWN DK
DRAWING FILE 4531T Landscape Base [ALT 4 - Old Town Arch]			REVIEW 9-25-2015
			SHEET 58
			OF 59