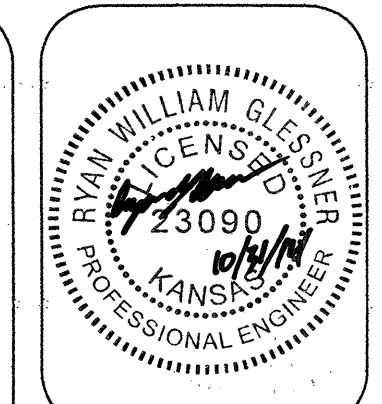
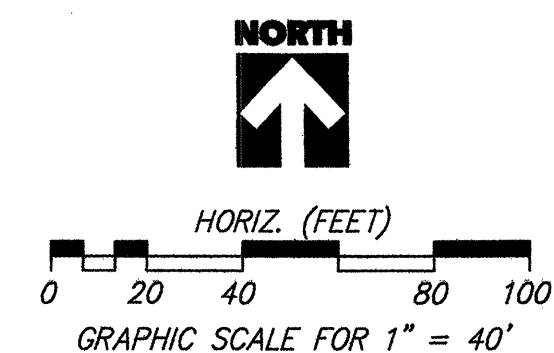
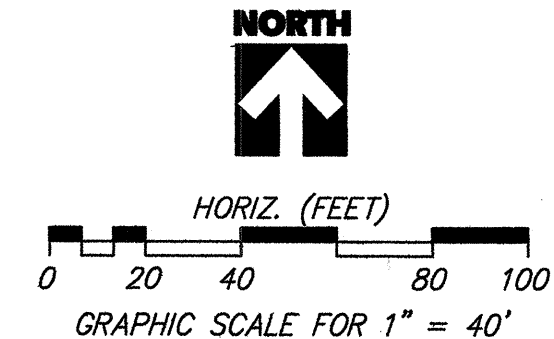
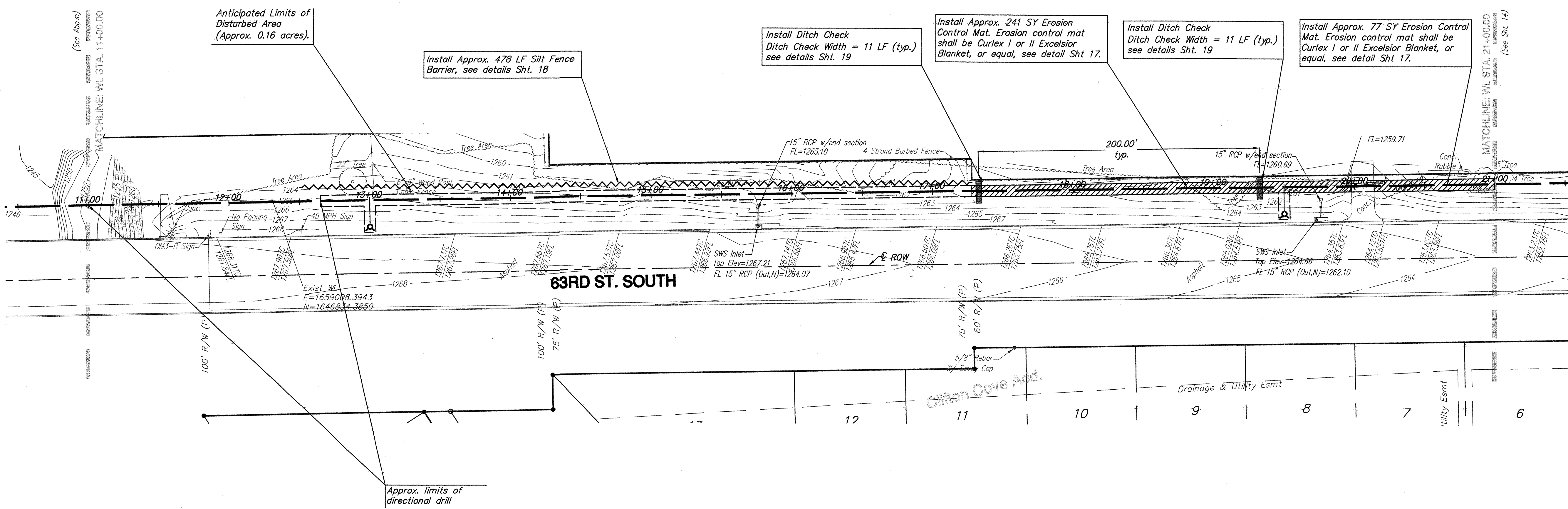
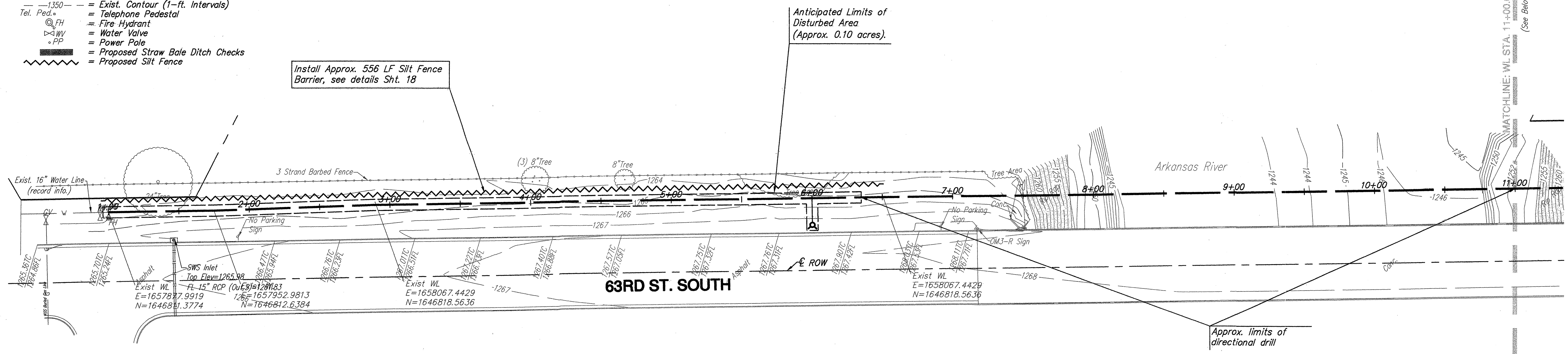


- LEGEND:**
- v — = Water Line
  - T — = Buried Telephone Line
  - S — = Storm Water Sewer Line
  - 1350 — = Exist. Contour (1-ft. Intervals)
  - ⊙ FH = Telephone Pedestal
  - ⊙ FH = Fire Hydrant
  - ⊙ W = Water Valve
  - ⊙ PP = Power Pole
  - [Wavy Line] — = Proposed Straw Bale Ditch Checks
  - [Zigzag Line] — = Proposed Silt Fence



**YOUNG & ASSOCIATES, P.A.**  
 Professional Civil Engineering Consultants  
 100 S. George, Derby, KS 67037  
 Telephone: (316) 788-2552 Fax: (316) 788-4408 email: engineering@yagps.com

Copyright © 2013 by Young & Associates, P.A. All rights reserved. This drawing is the property of Young & Associates, P.A. and may not be reproduced in any form without the specific written permission of Young & Associates, P.A. This plan and design is the exclusive property of Young & Associates, P.A. The liability for the design and construction shall remain with the contractor.



**16" WATER LINE No. 1 - STA 1+00.00 to 21+00.00**  
**EROSION CONTROL PLAN**  
 63rd Street South 16" Water Main Extension  
 City of Wichita  
 Sedgewick County, Kansas

scale: as noted  
 Design By: RWG  
 Drawn By: DSB  
 Checked By: CRY  
 P/N: 13-348  
 Prints Issued:  
 Field Check, 2-14-14  
 Office Check, 5-9-14  
 Final Plans, 10-30-14  
 Revisions:  
 △  
 △  
 △