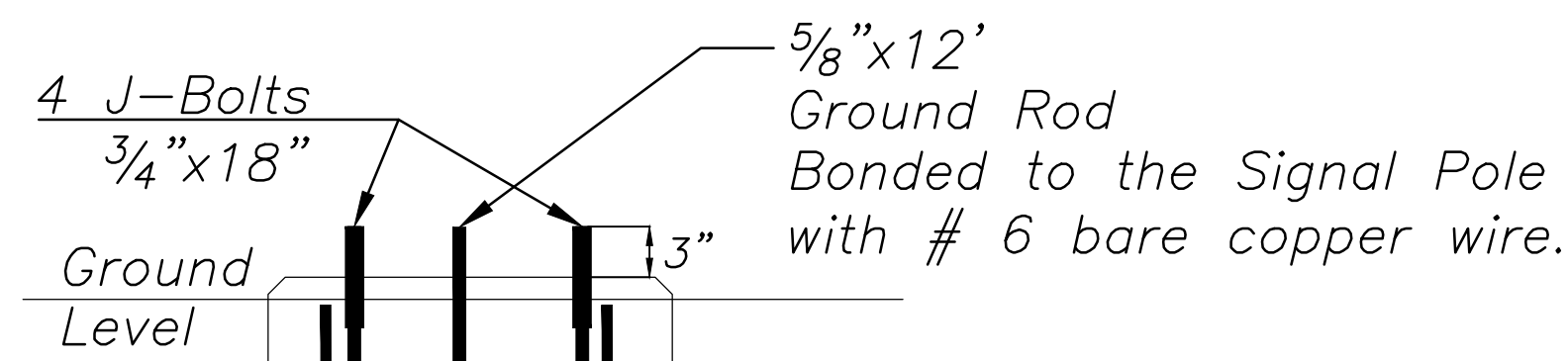
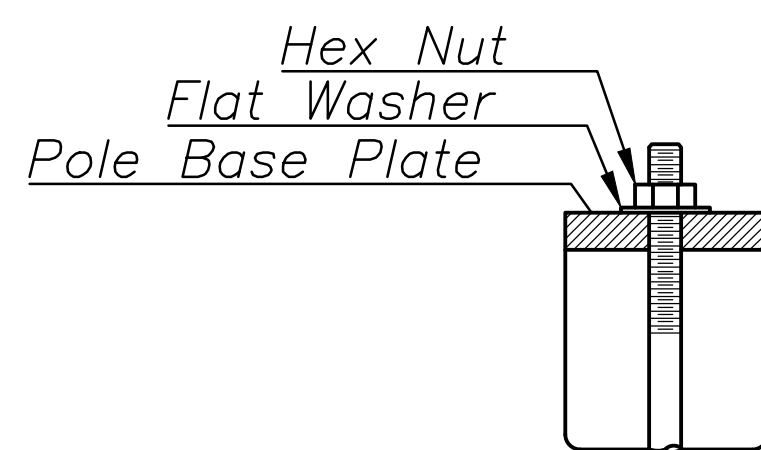


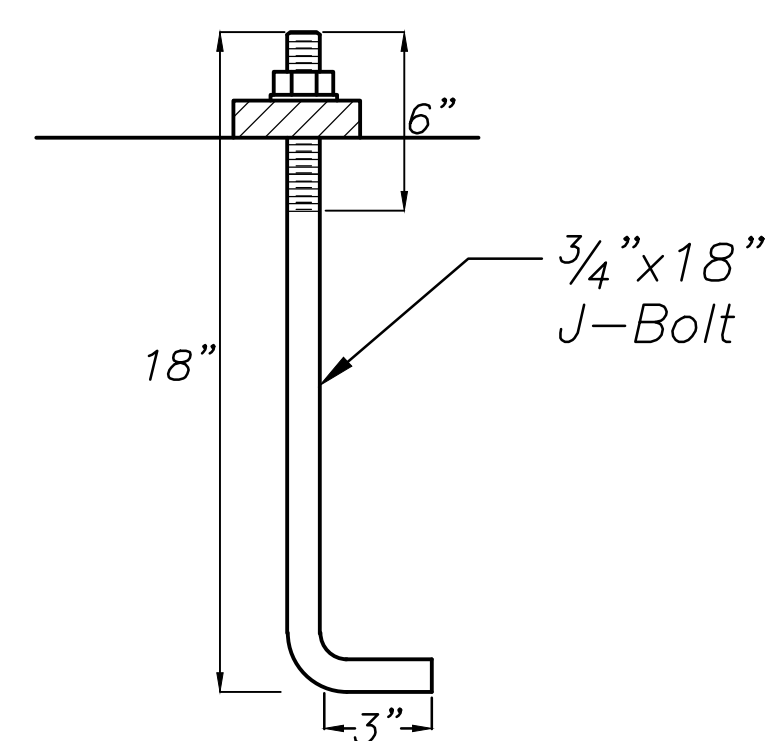
Bolt Circle 13.5" on Center



#6 Rebar 60" x 4 pcs.  
#4 Rebar Cross bars weld or wire.



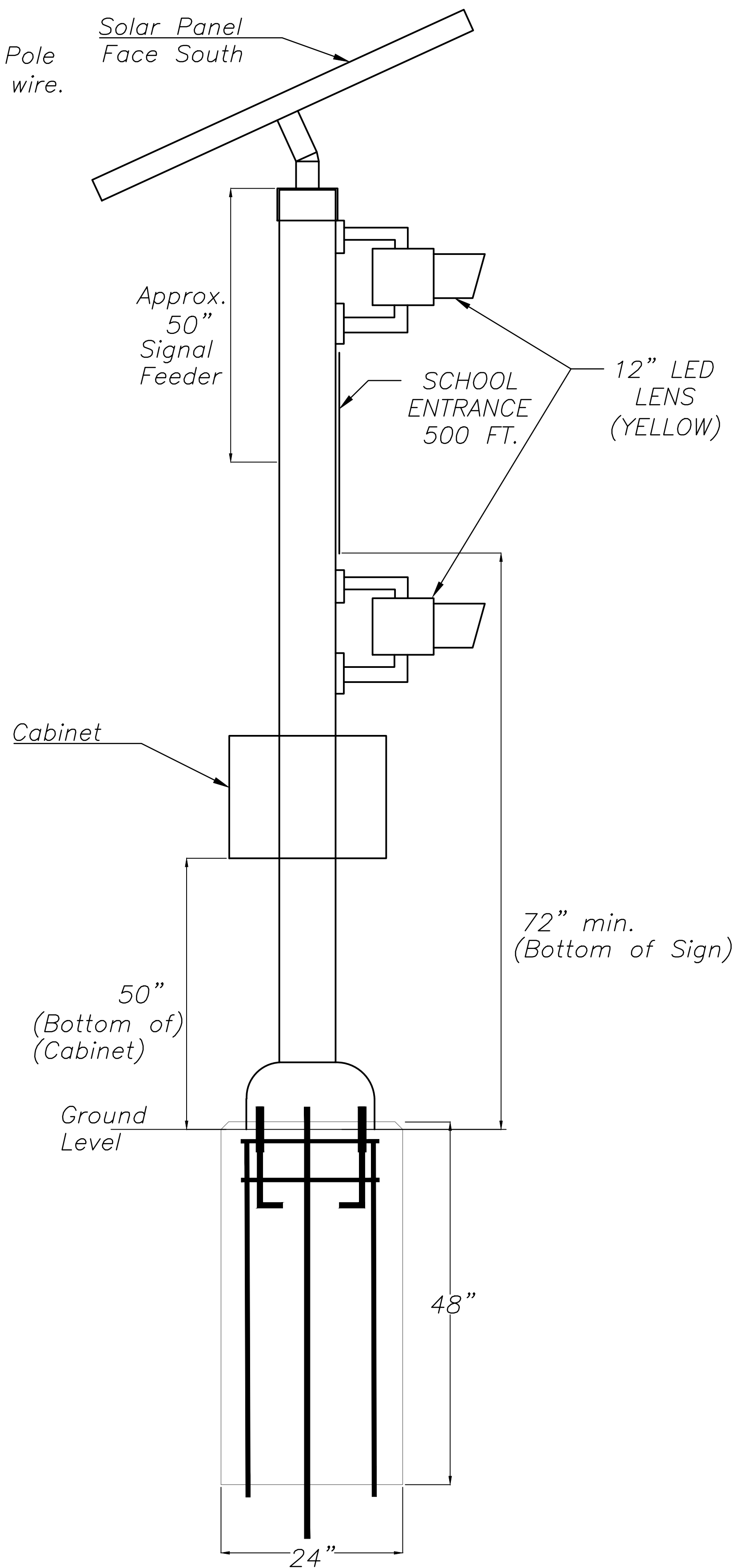
Use Keystone "No-Weld Number 1 Anti-Seize Compound" on all bolts & nuts.



General Notes :

All Dimensions Shown Are Typical Only. Actual Dimensions Shall Be Supplied By The Manufacturer.

Cabinet, Solar, and Signal Wiring Shall Be Made Up in The Pole Base.  
Solar Panel Wiring Uses 3 Wire,  
Signal Wiring Uses 3 Wire,  
Cabinet Uses 7 Conductor Signal Cable.  
Spliced Connections Shall Be Pointed Upward to Avoid Moisture Collection.  
All Wiring Must meet the Current Applicable Electrical Codes.



School Entrance Beacon Assembly shall be bid as "Each". Bid price shall include all costs associated with installation of Beacon Assembly & Base including labor, delivery, and materials.

Assemblies shall be Model 7019 by IQTrafficcontrol or approved equal.

USD 259 4th ADDITION Solar Pedestal Details			
SEAL		<b>RUGGLES &amp; BOHM</b>	
		<small>ENGINEERING   SURVEYING   LANDSCAPE ARCHITECTURE   GOVERNMENT 924 NORTH MAIN WICHITA, KANSAS 67203 P (316) 264-8008 F (316) 264-4621 WWW.RUGGLESANDBOHM.COM</small>	
PROJECT NUMBER 472-84942	REV. JOB NO. 4384T	DWG. SCALE ...	DATE 4-5-2016
DRAWING FILE Solar Panel Pedestal and Base [Solar Pedestal Details]			SHEET 6 OF 12