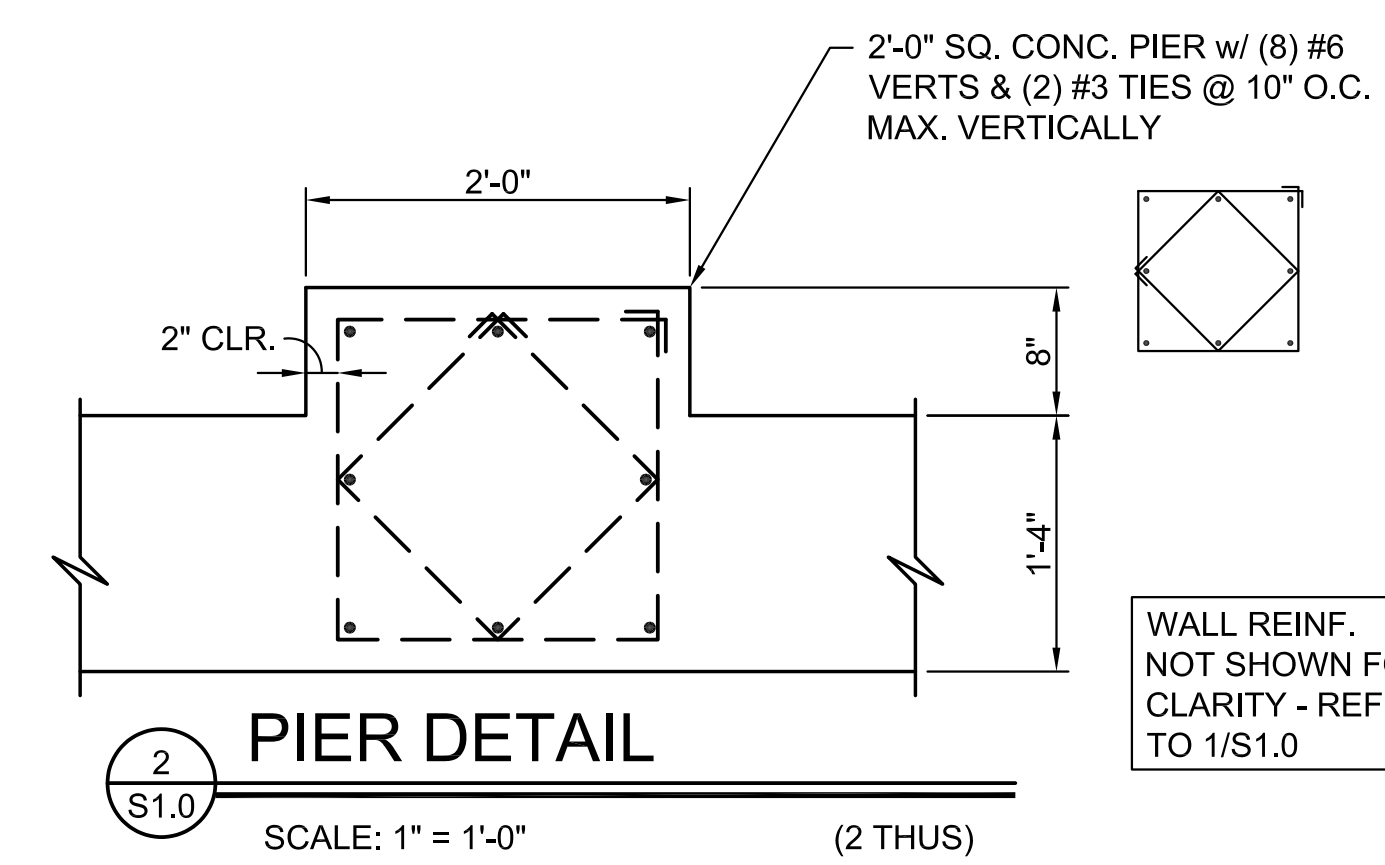
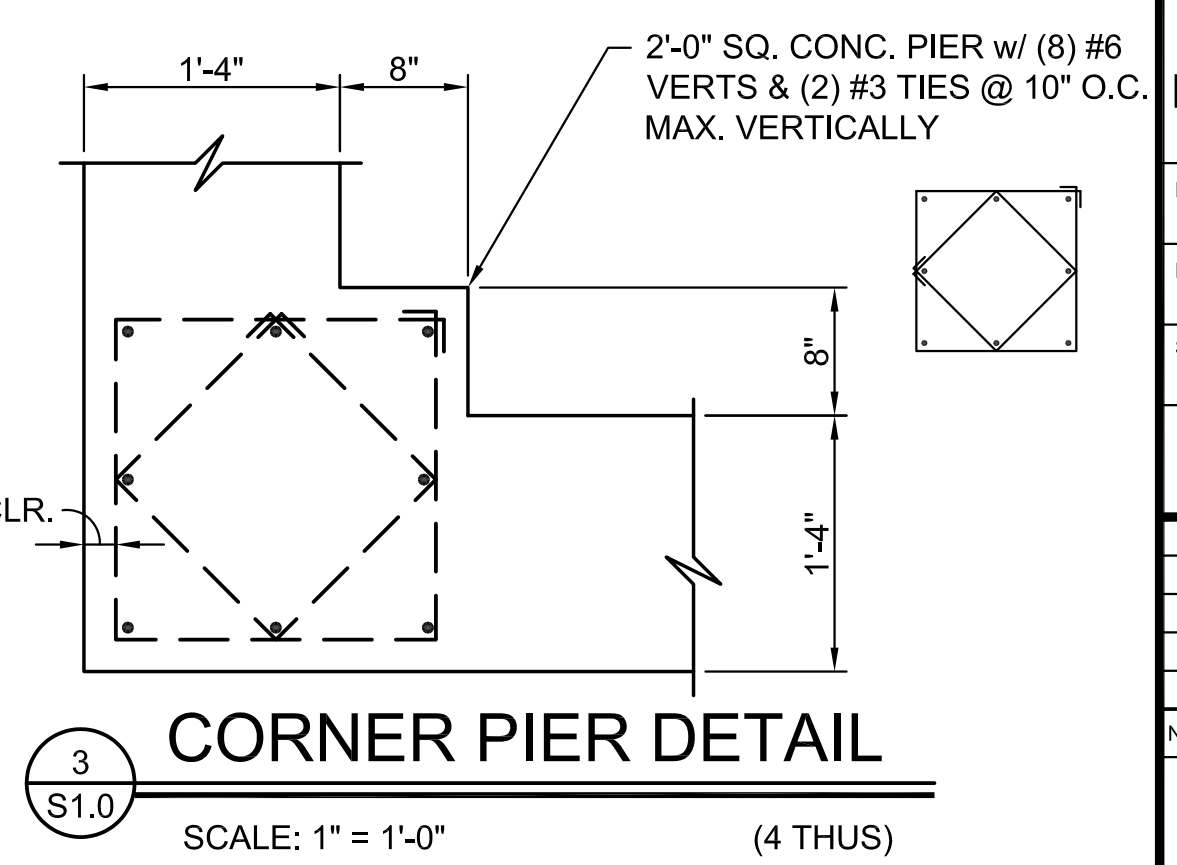


2
S1.0
CORNER DETAIL
SCALE: 1" = 1'-0"

1
S1.0
WET WELL FOUNDATION PLAN
SCALE: 1/2" = 1'-0"



2
S1.0
PIER DETAIL
SCALE: 1" = 1'-0" (2 THUS)



3
S1.0
CORNER PIER DETAIL
SCALE: 1" = 1'-0" (4 THUS)



©2016 MKEC Engineering All Rights Reserved
www.mkec.com
These drawings and their contents, including, but not limited to, all concepts, designs, & ideas are the exclusive property of MKEC Engineering (MKEC), and may not be used or reproduced in any way without the express consent of MKEC.

FOUNDATION PLAN - WET WELL

PROJECT NO.	468-85112	
DATE	04/18/16	
SCALE	AS NOTED	
DESIGNED	DRAWN	CHECKED
SK	CAM	AR
ISSUED FOR CONSTRUCTION	04/18/16	
NO.	REVISION	DATE
SHEET NO.		
S1.0		

PLOTTED: Friday, April 22, 2016 @ 06:56AM
 J:\PROJECTS\2015\1501010623_COWI_REUSE_WATER_SUPPLY_SYSTEM_150623_CAD\SHITS\06_STRUCT\DWGS\FOUND.S1.DWG