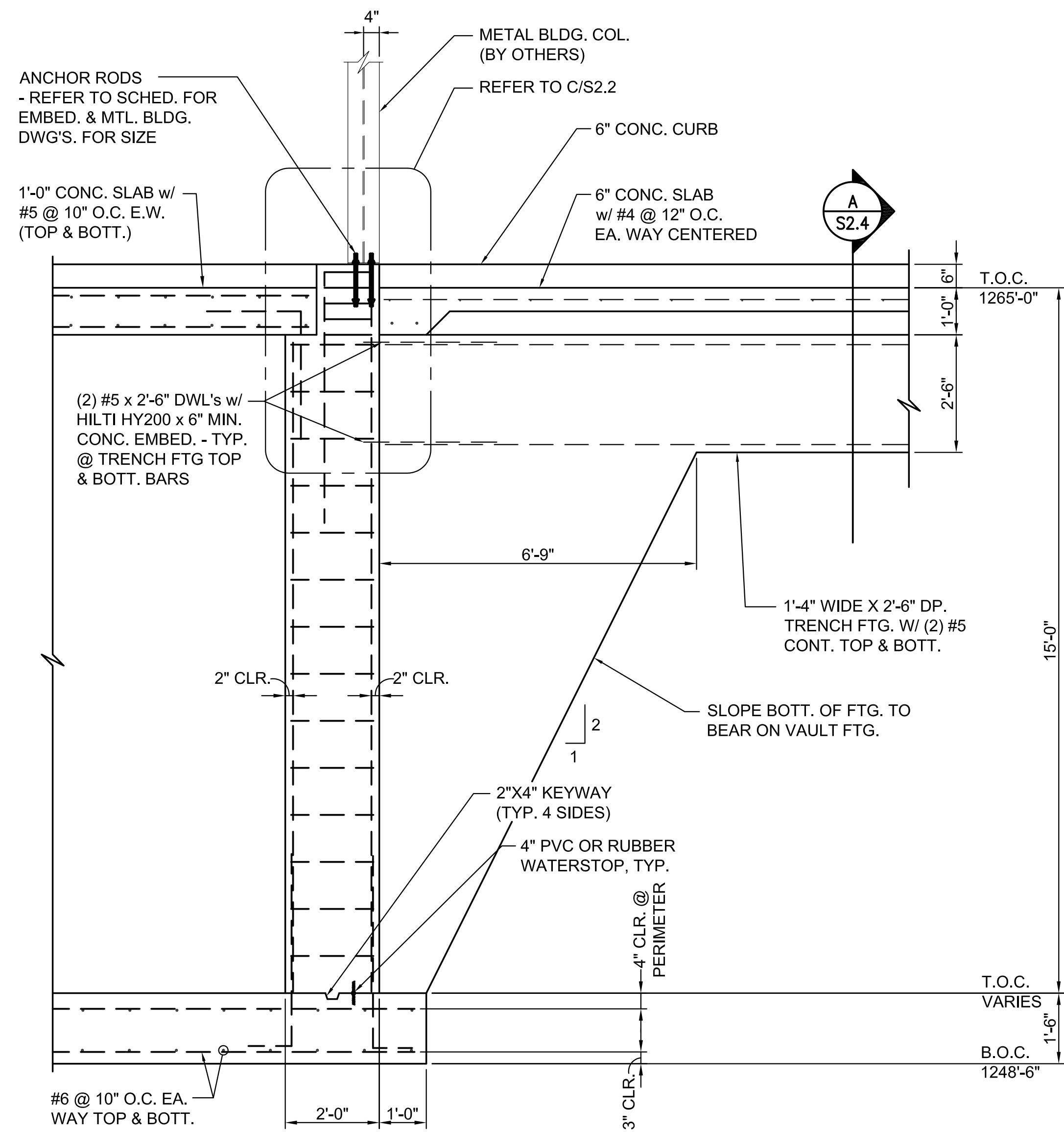
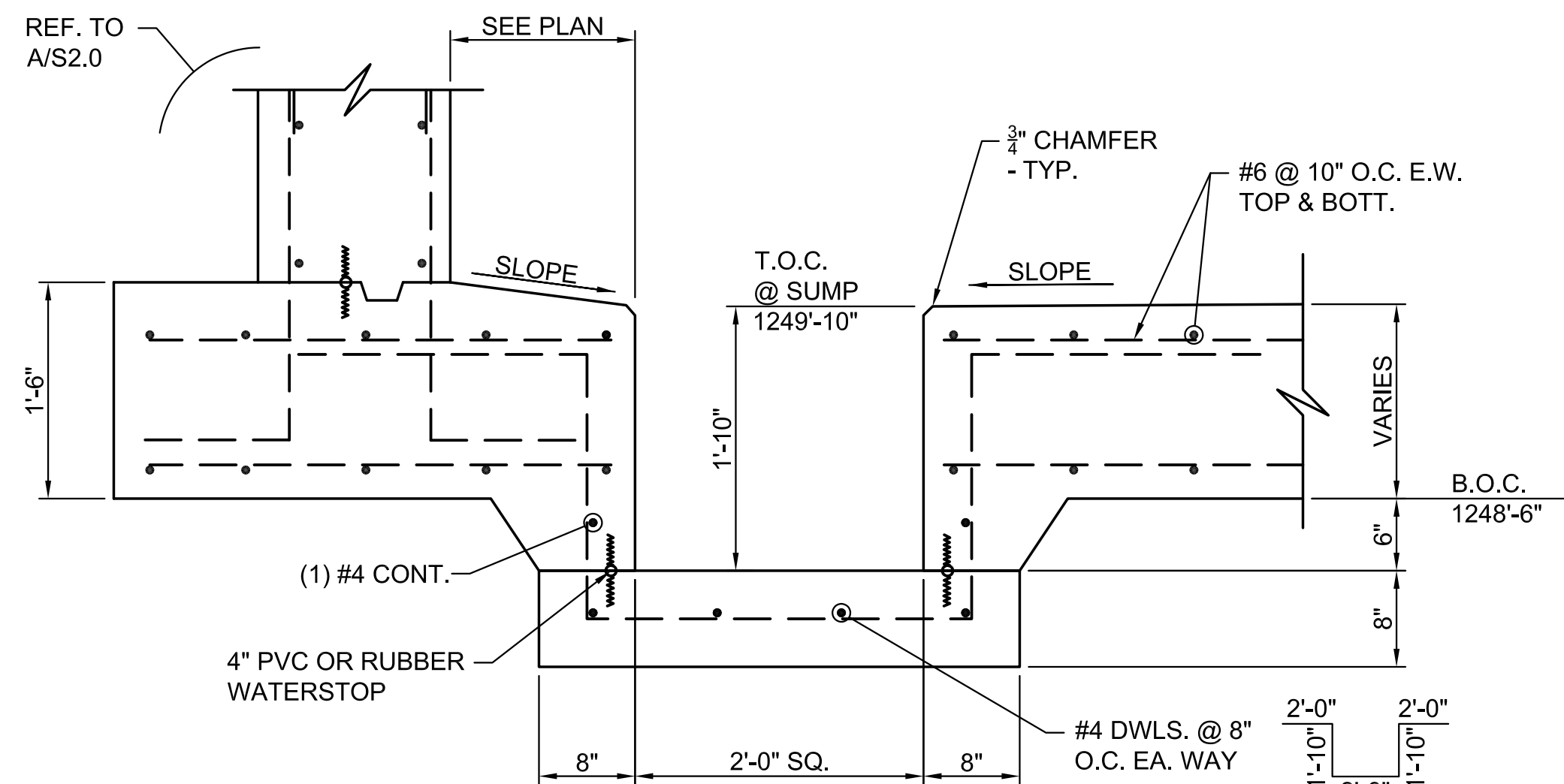


PLOTTED: Friday, April 22, 2016 @ 08:13AM

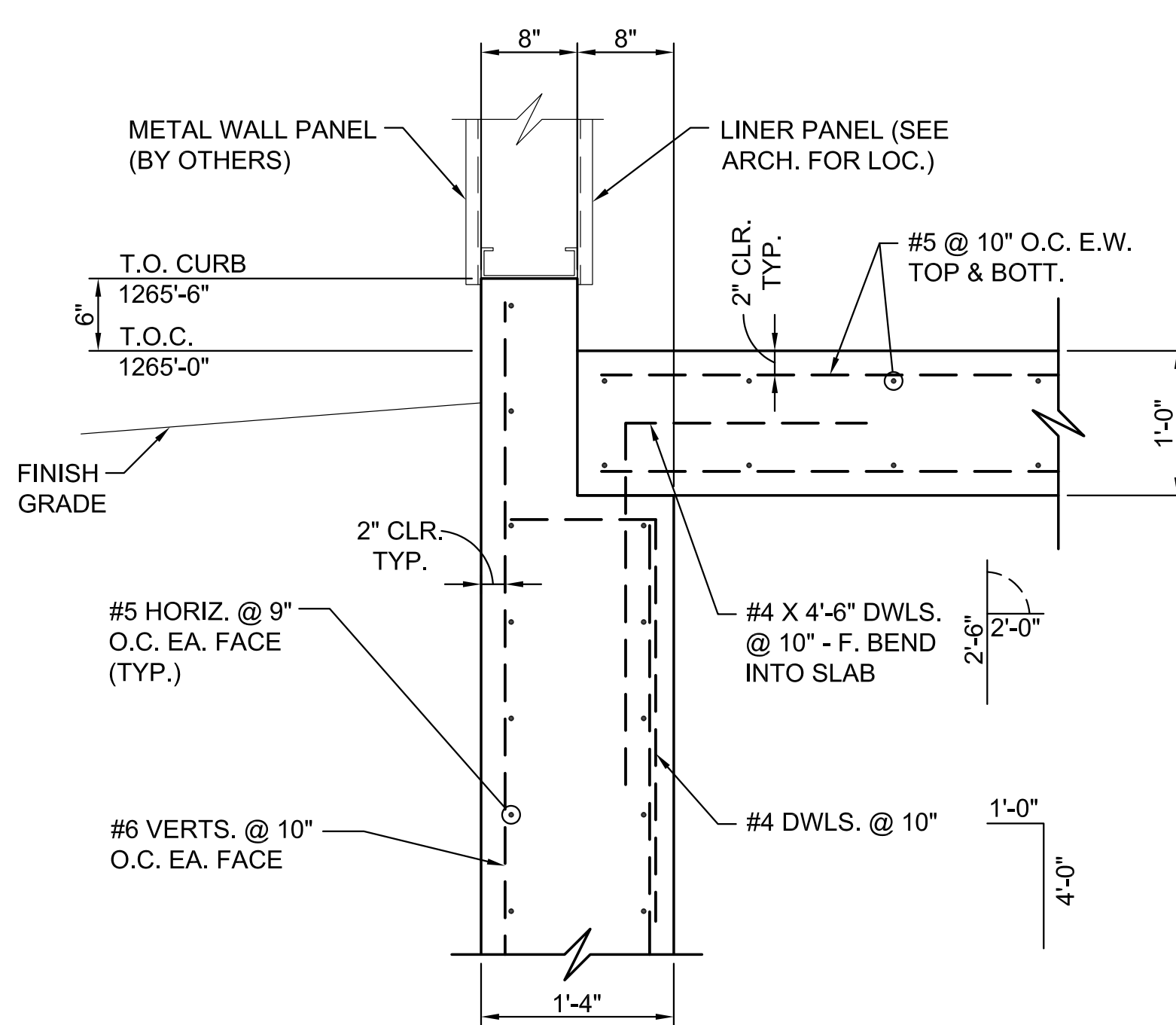
J:\PROJECTS\2015\1501010623_COWI_REUSE_WATER_SUPPLY_SYSTEM_150623_CAD\SHIT\1506 STRUCT\DWGS\S2.2.DWG



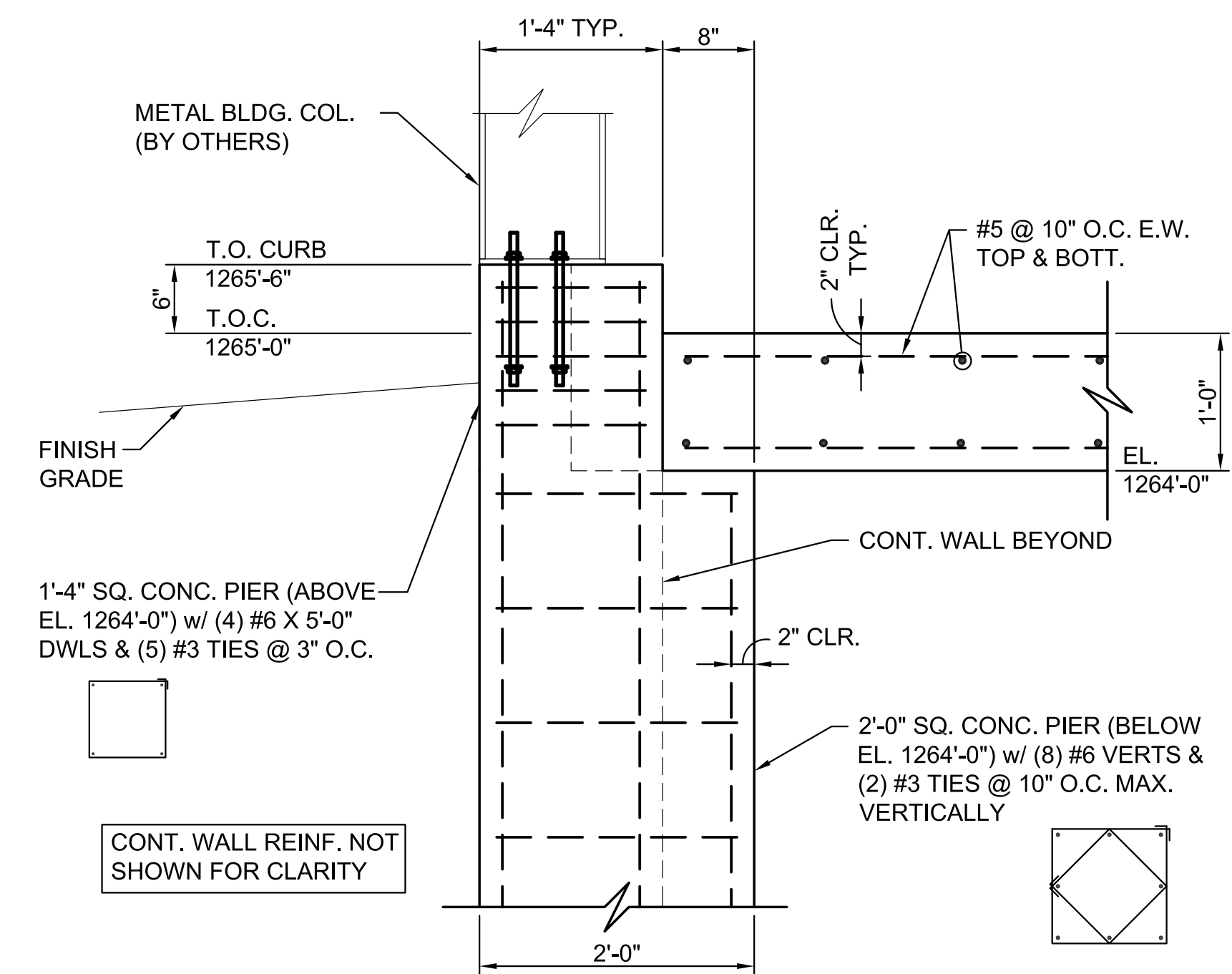
A
S2.2
FOUNDATION SECTION
SCALE: 1/2" = 1'-0"



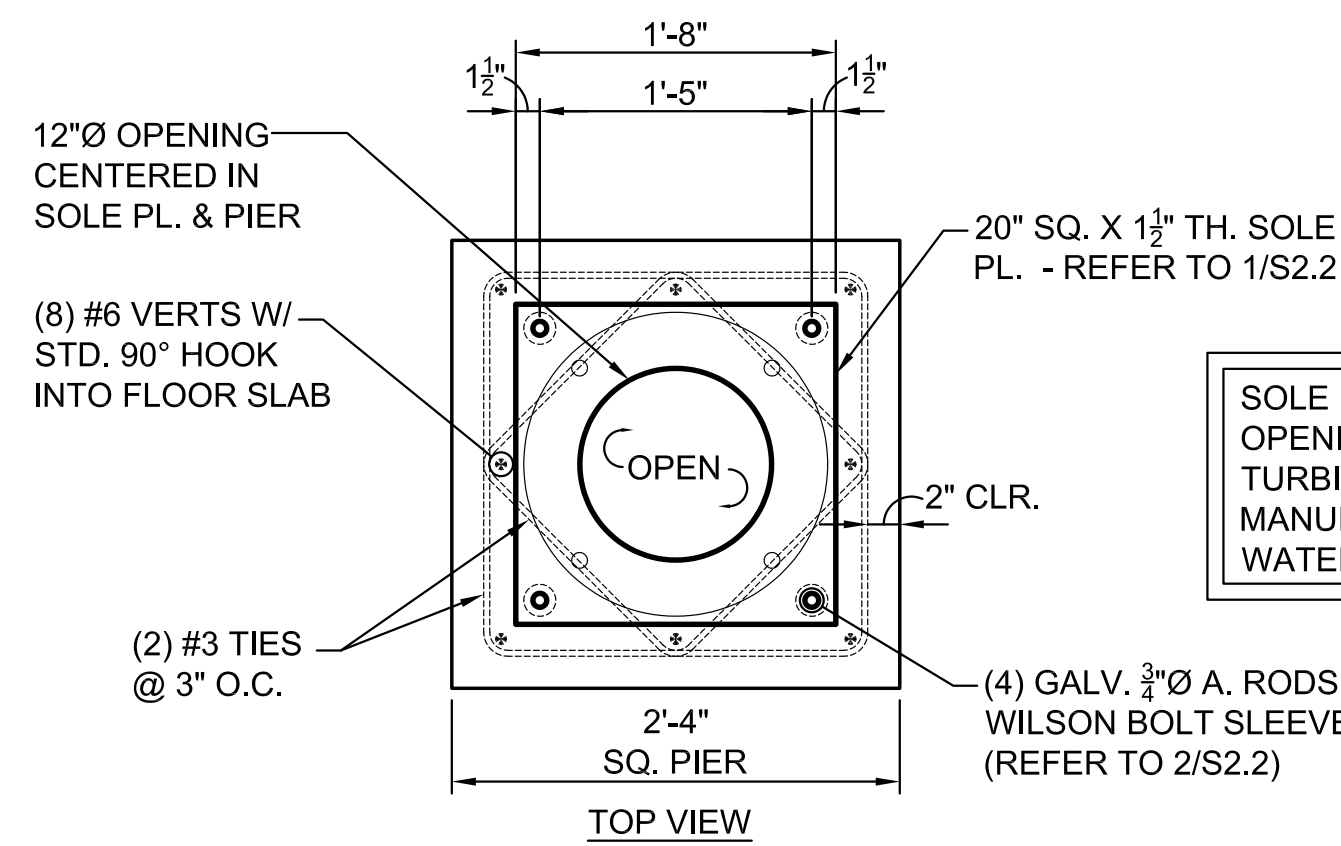
D
S2.2
SECTION @ SUMP PIT
SCALE: 1" = 1'-0"



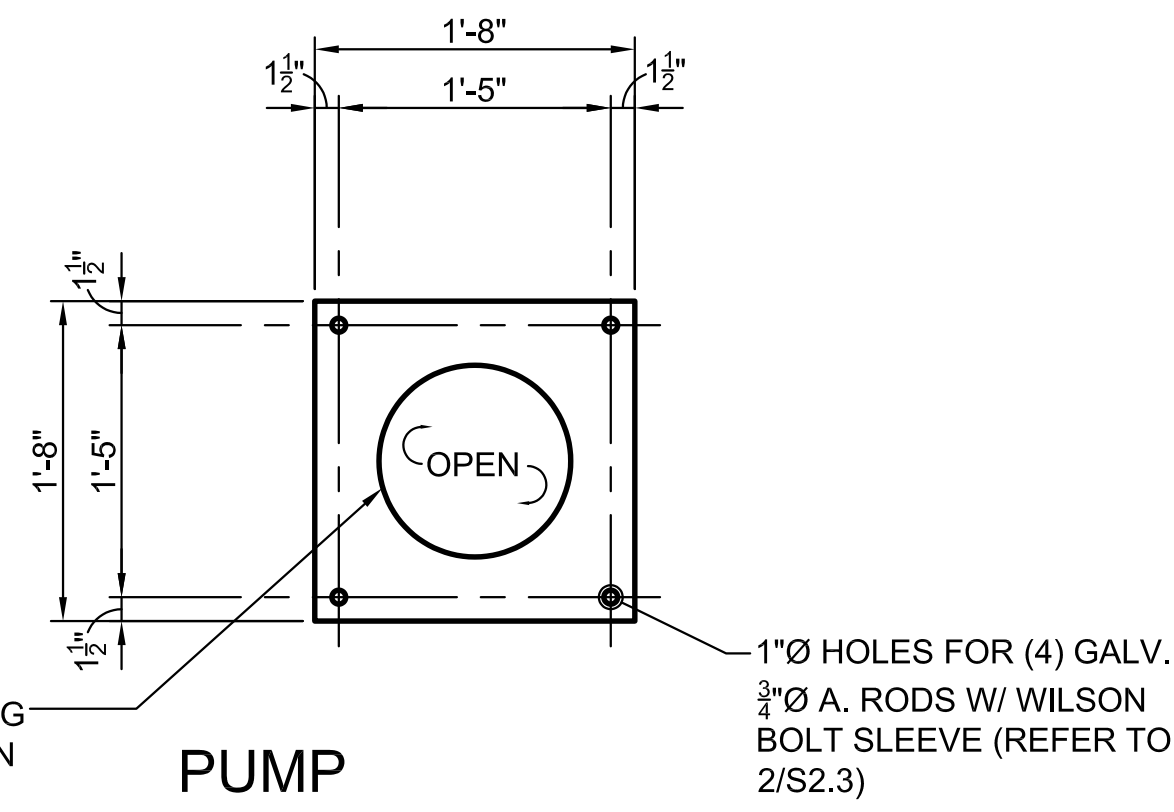
B
S2.2
SECTION @ FLOOR
SCALE: 1" = 1'-0"



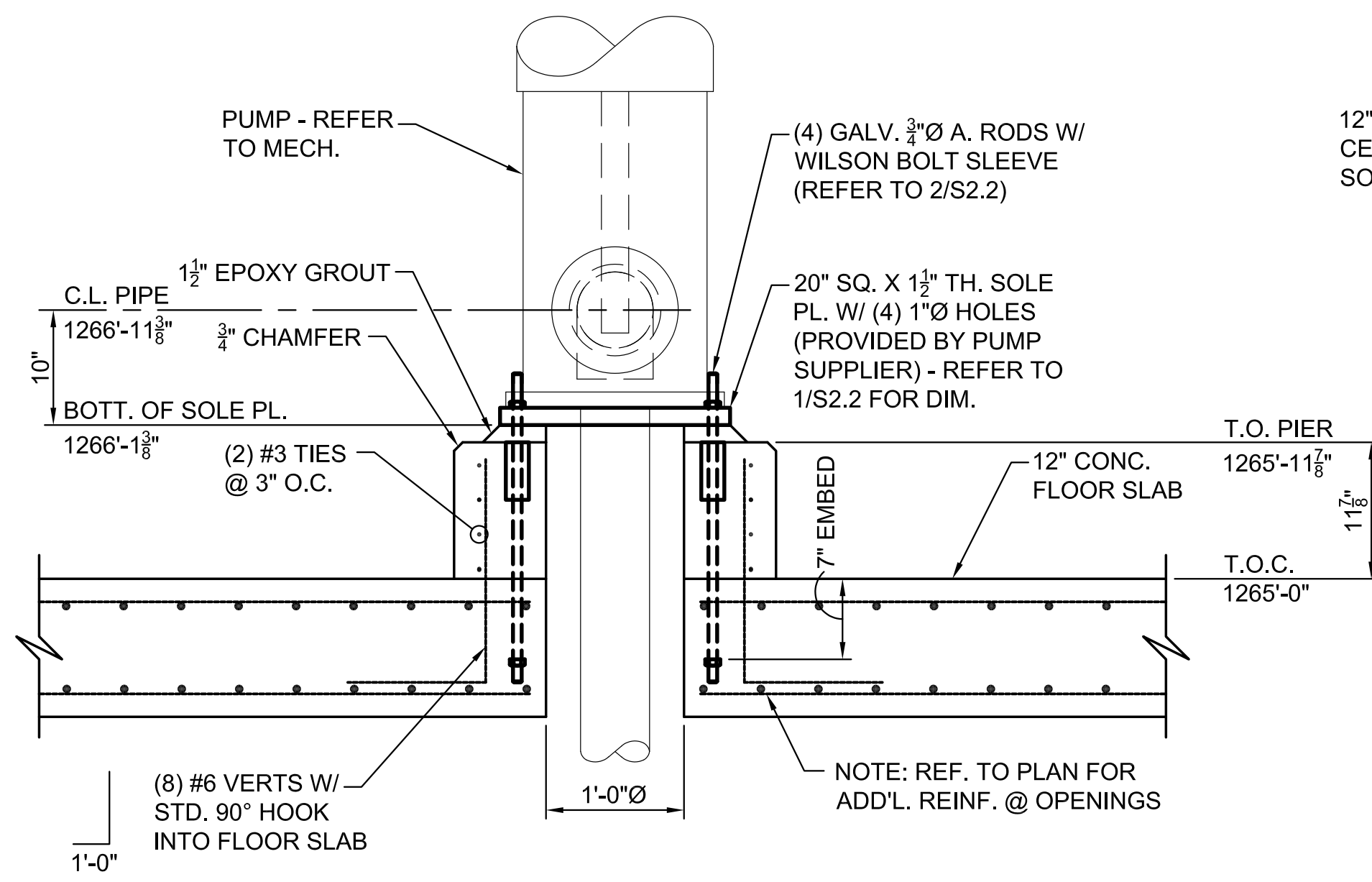
C
S2.2
SECTION @ FLOOR
SCALE: 1" = 1'-0"



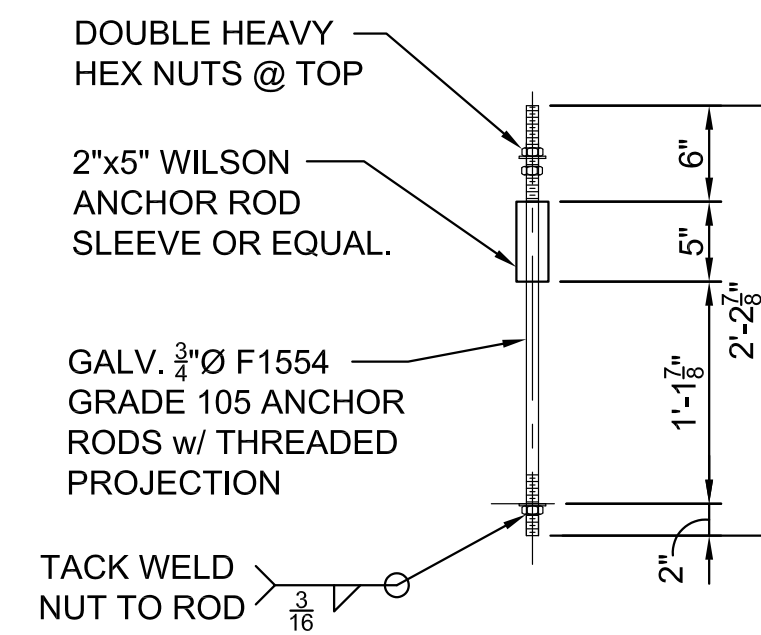
SOLE PLATE DIMENSIONS & OPENINGS BASED ON VERTICAL TURBINE MODEL VIT-FFFM MANUFACTURED BY GOULDS WATER TECHNOLOGY



1
S2.2
PUMP ANCHOR BOLT PLAN
SCALE: 1" = 1'-0"



E
S2.2
PUMP FND. DETAIL
SCALE: 1" = 1'-0"



2
S2.2
A.R. DETAIL
SCALE: 1" = 1'-0"



CITY OF WICHITA, KANSAS
RE-USE WATER PUMP STATION
 TO SERVE SPIRIT AEROSYSTEMS

©2016 MKEC Engineering All Rights Reserved
 These drawings and their contents, including, but not limited to, all concepts, designs, & ideas are the exclusive property of MKEC Engineering (MKEC), and may not be used or reproduced in any way without the express consent of MKEC.

FOUNDATION SECTIONS	
PROJECT NO.	468-85112
DATE	04/18/16
SCALE	AS NOTED
DESIGNED	DRAWN
SK	CAM
CHECKED	AR
NO.	REVISION
0	ISSUED FOR CONSTRUCTION 04/18/16
NO.	REVISION
NO.	DATE
SHEET NO.	
S2.2	

