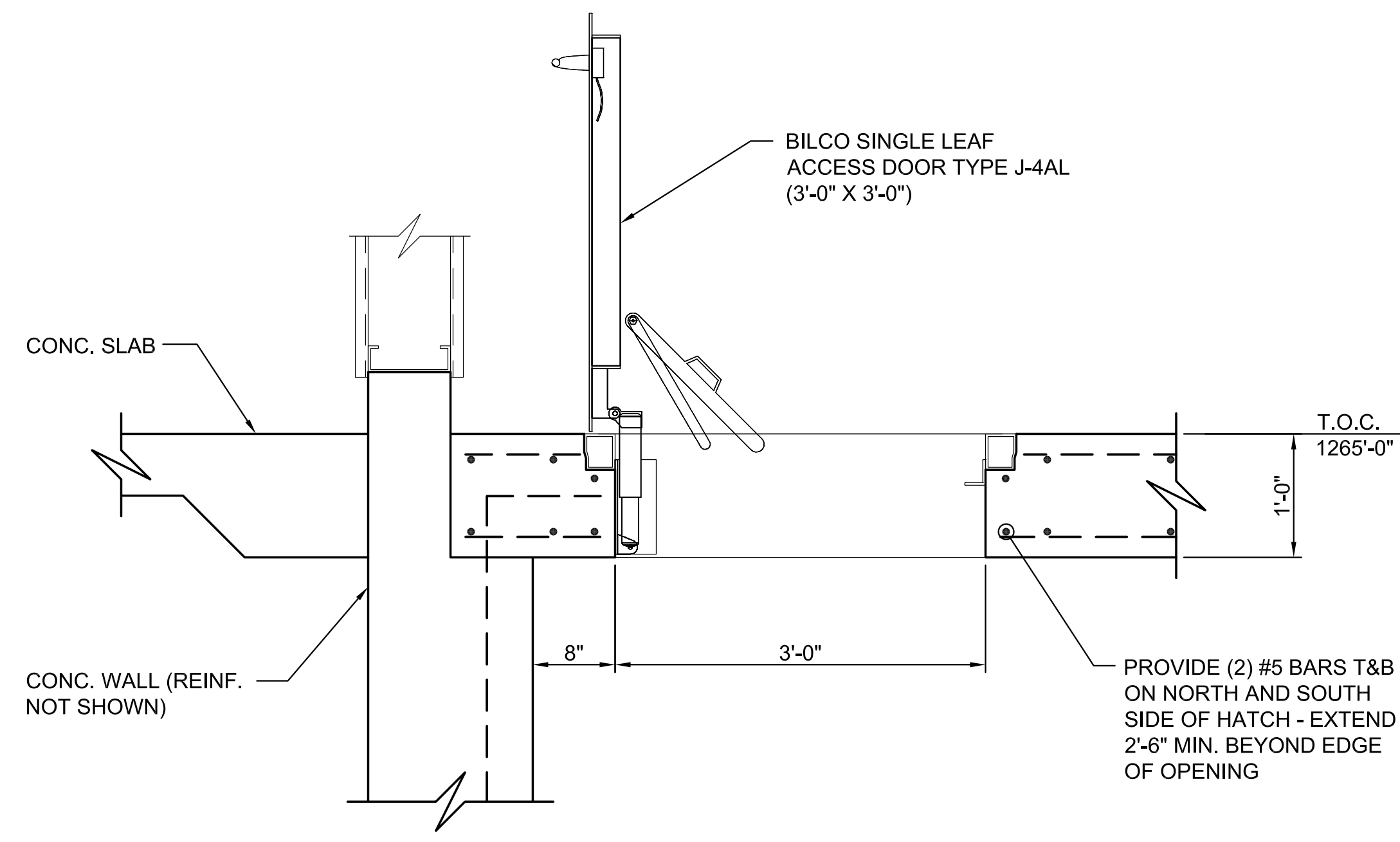


PLOTTED: Friday, April 22, 2016 @ 08:14AM

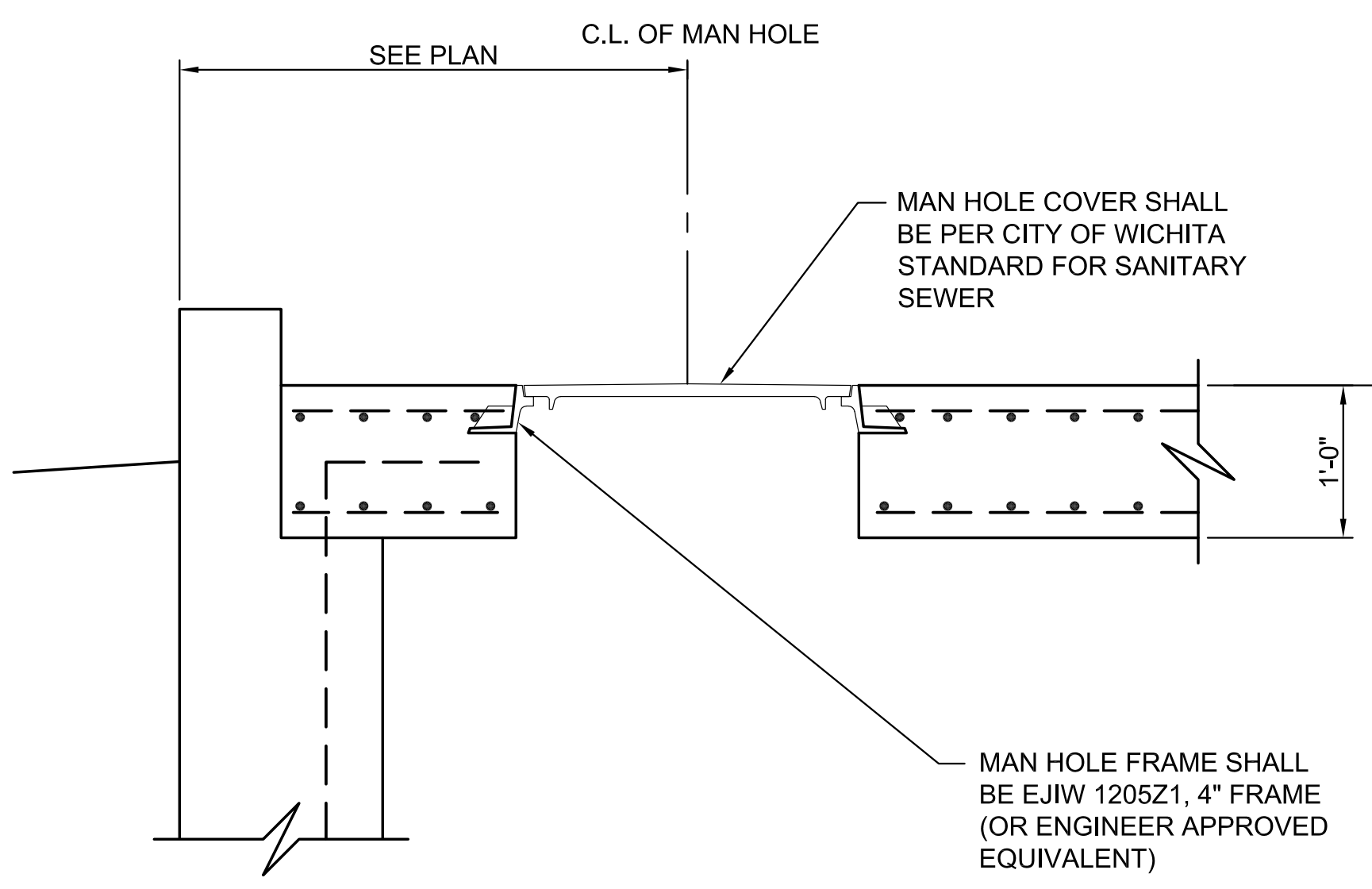
©2016
MKEC Engineering
All Rights Reserved
www.mkec.com
These drawings and their contents, including, but not limited to, all concepts, designs, & ideas are the exclusive property of MKEC Engineering (MKEC), and may not be used or reproduced in any way without the express consent of MKEC.

FOUNDATION SECTIONS

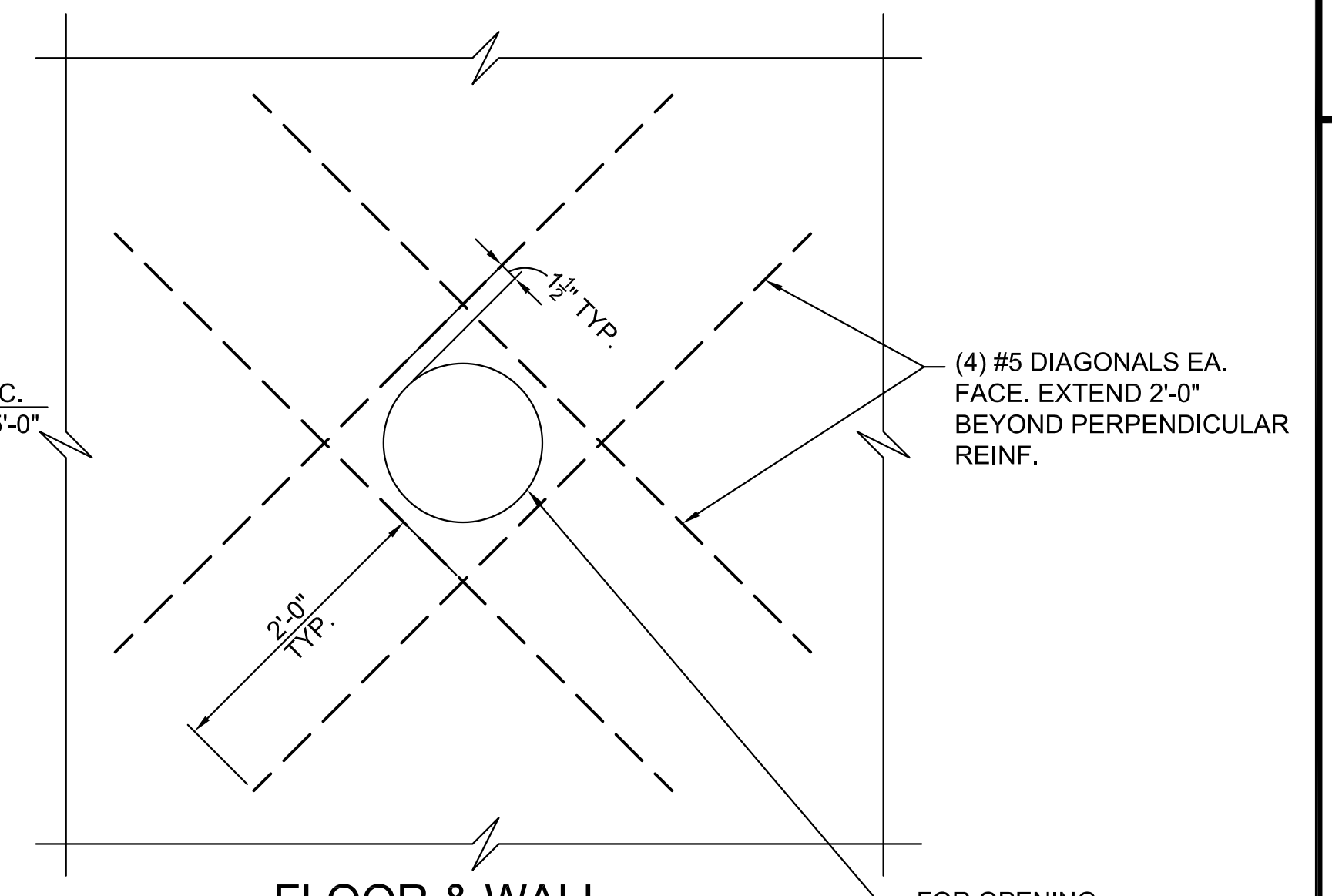
PROJECT NO.	468-85112	
DATE	04/18/16	
SCALE	AS NOTED	
DESIGNED	DRAWN	CHECKED
SK	CAM	AR
ISSUED FOR CONSTRUCTION	04/18/16	
NO.	REVISION	DATE
SHEET NO.		
		S2.3



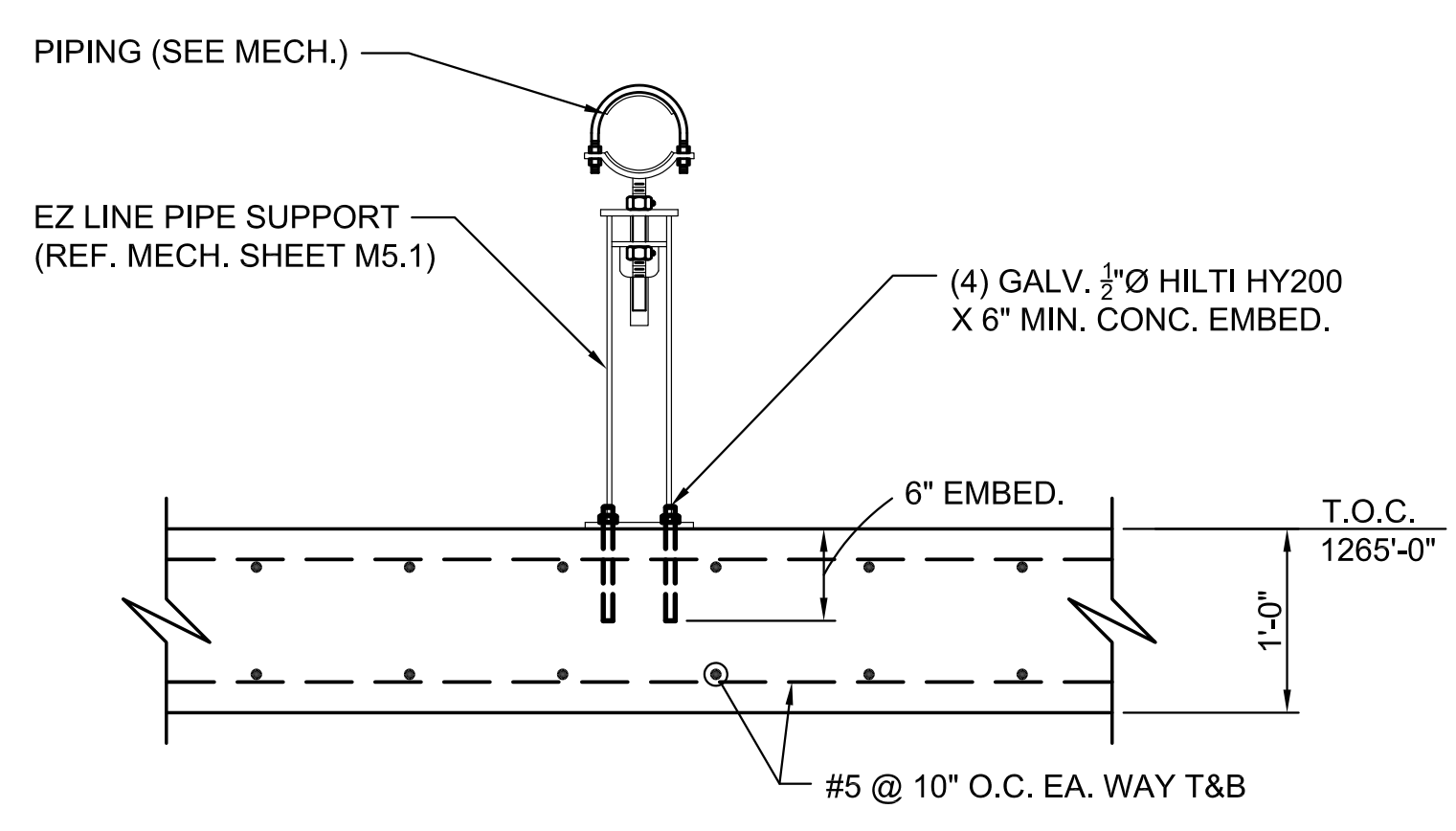
A
SECTION AT HATCH
SCALE: 1" = 1'-0"



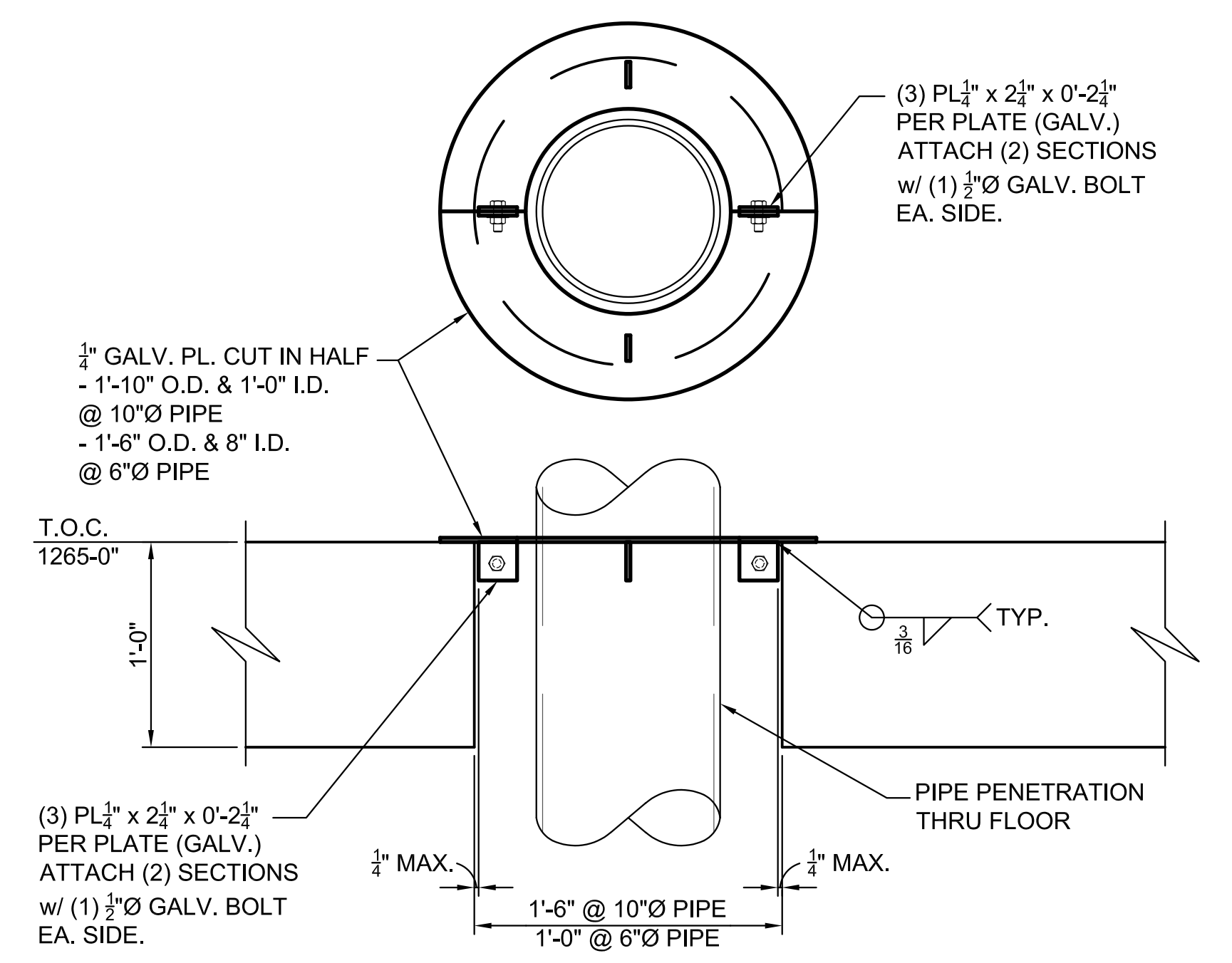
B
SECTION AT MANHOLE
SCALE: 1" = 1'-0"



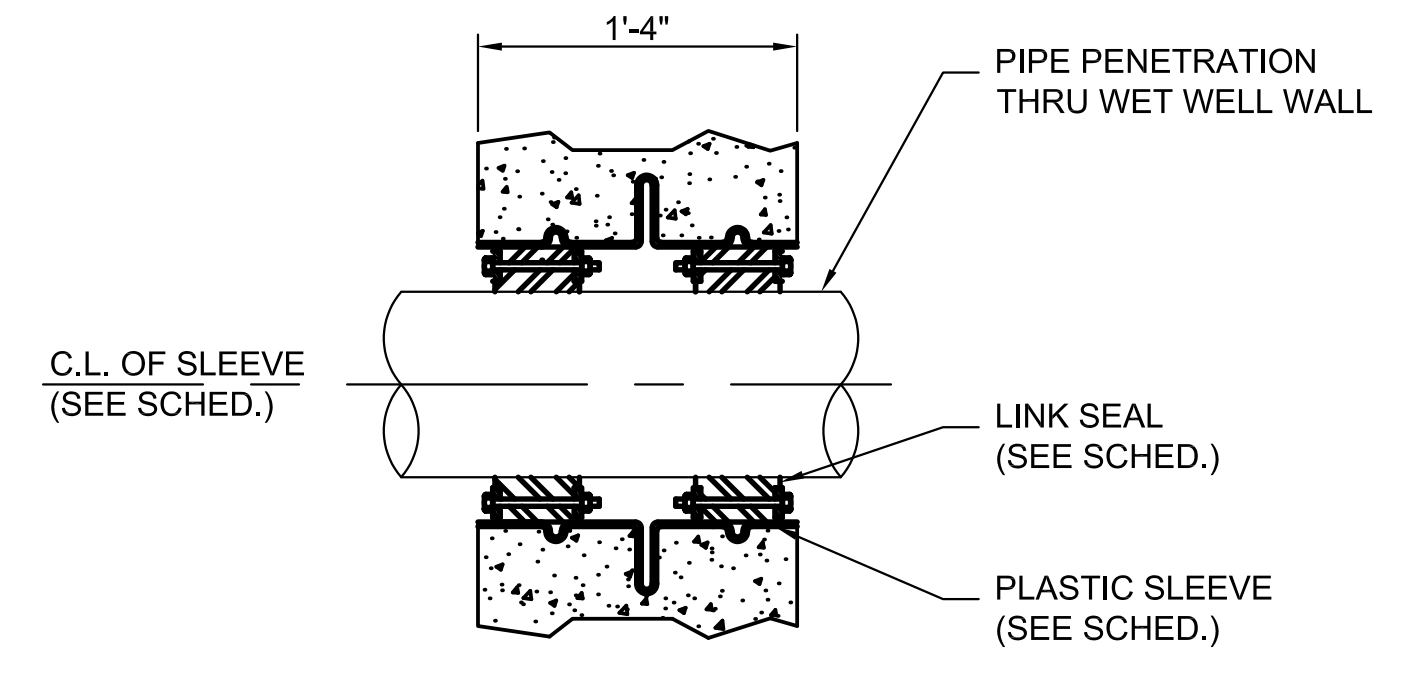
C
FLOOR & WALL TYP. OPENING DETAIL
SCALE: 1" = 1'-0"



D
SECTION AT EZ LINE
SCALE: 1" = 1'-0"



E
FLOOR PIPE PENETRATION PLATE COVER DETAIL
SCALE: 1 1/2" = 1'-0"



F
WALL PIPE PENETRATION LINK SEAL/SLEEVE DETAIL
SCALE: N.T.S.

LINKSEAL & SLEEVE SCHEDULE

PIPE SIZE & TYPE	LINKSEAL MODEL	SLEEVE MODEL	C.L. ELEVATION
10"Ø DICL	LS-410-S316-15	CS-14-16	1258'-10 ⁷ / ₁₆ "
4"Ø PVC	LS-475-S316-8	CS-8-16	1262'-8"

NOTE: SEE PLAN FOR PIPE LOCATION.

J:\PROJECTS\2015\1501010623_COW\REUSE_WATER_SUPPLY_SYSTEM_160623_CAD\SHITS\06_STRUCT\DWGS\S2.3.DWG

