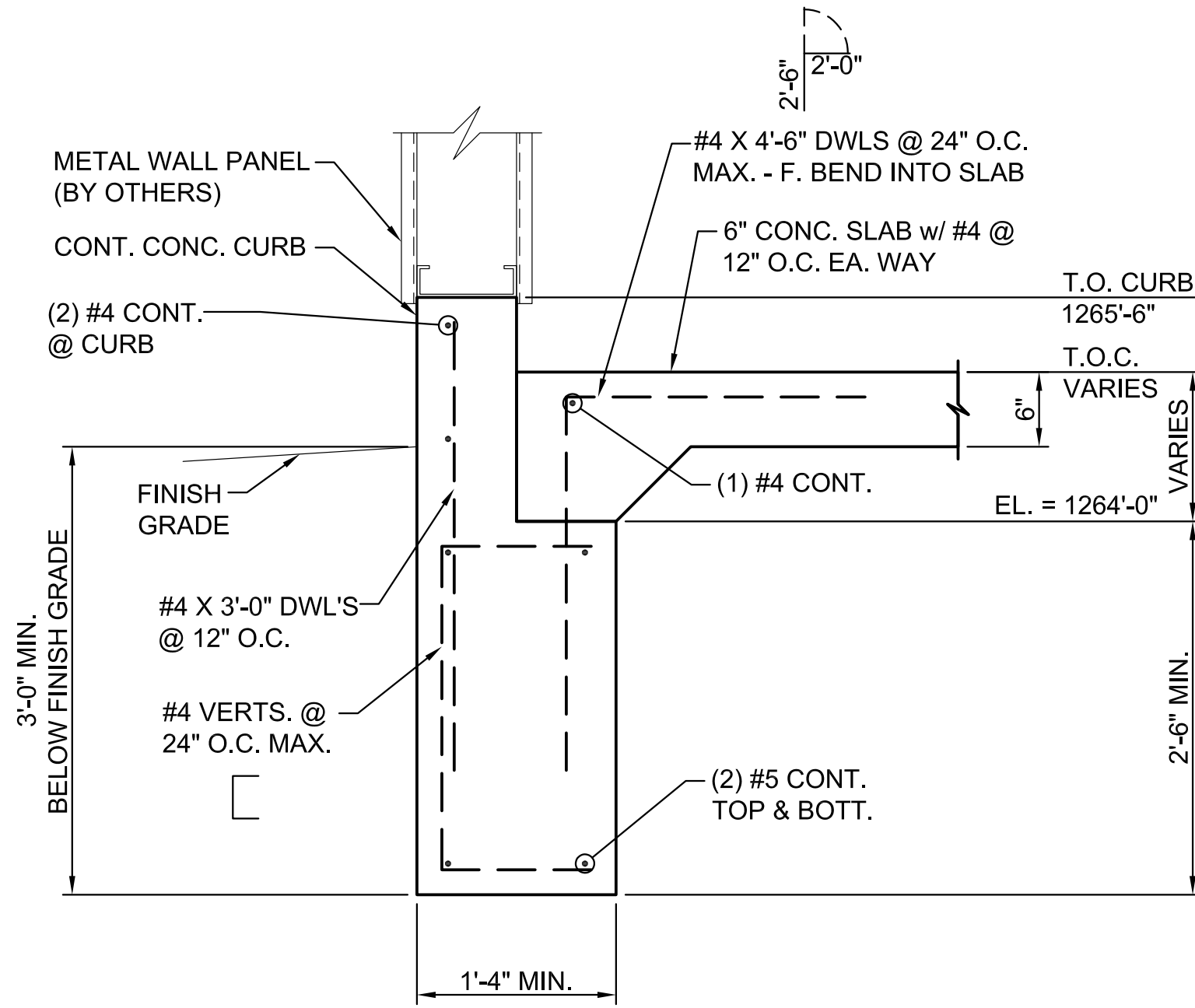
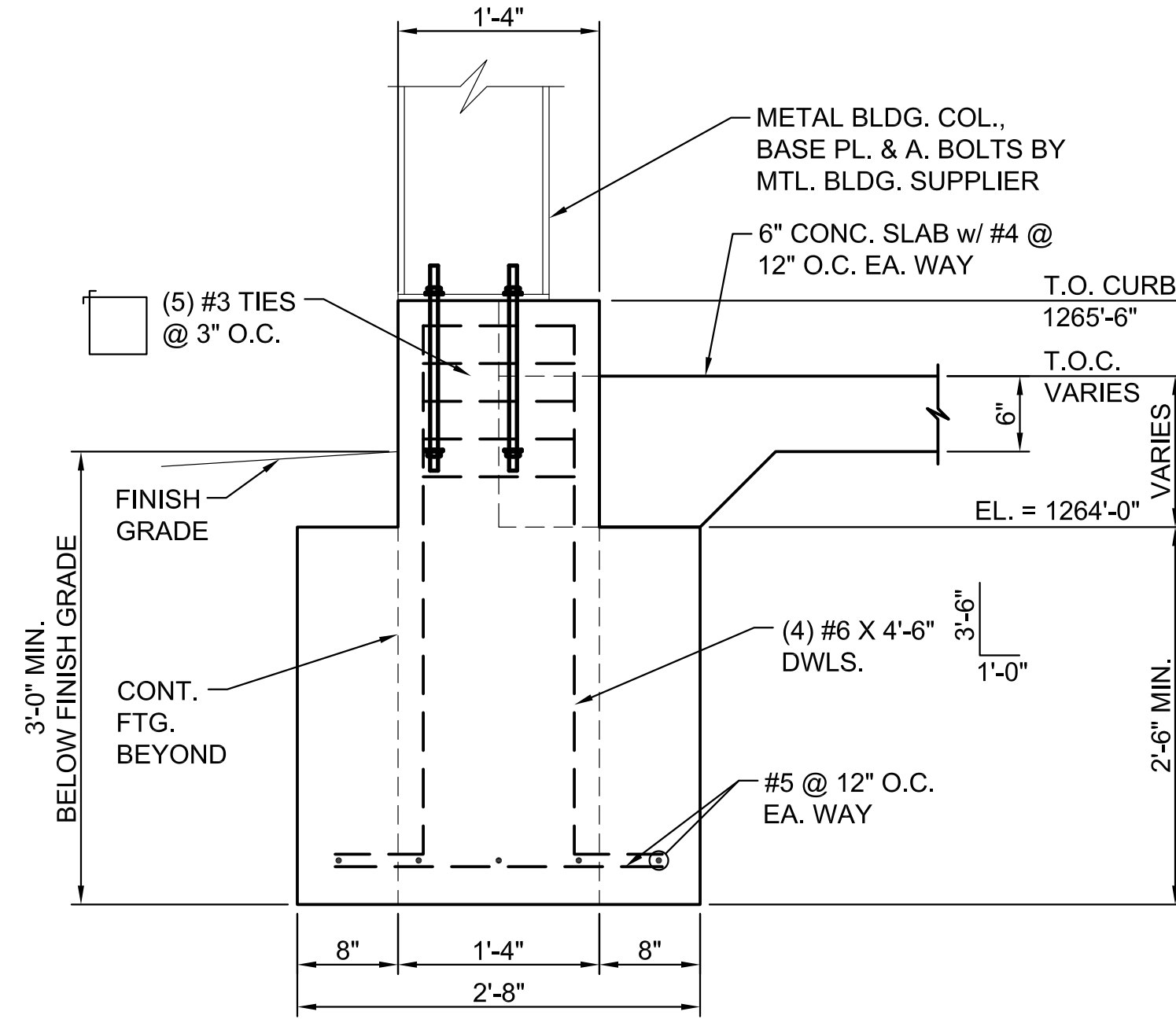


PLOTTED: Friday, April 22, 2016 @ 08:10AM

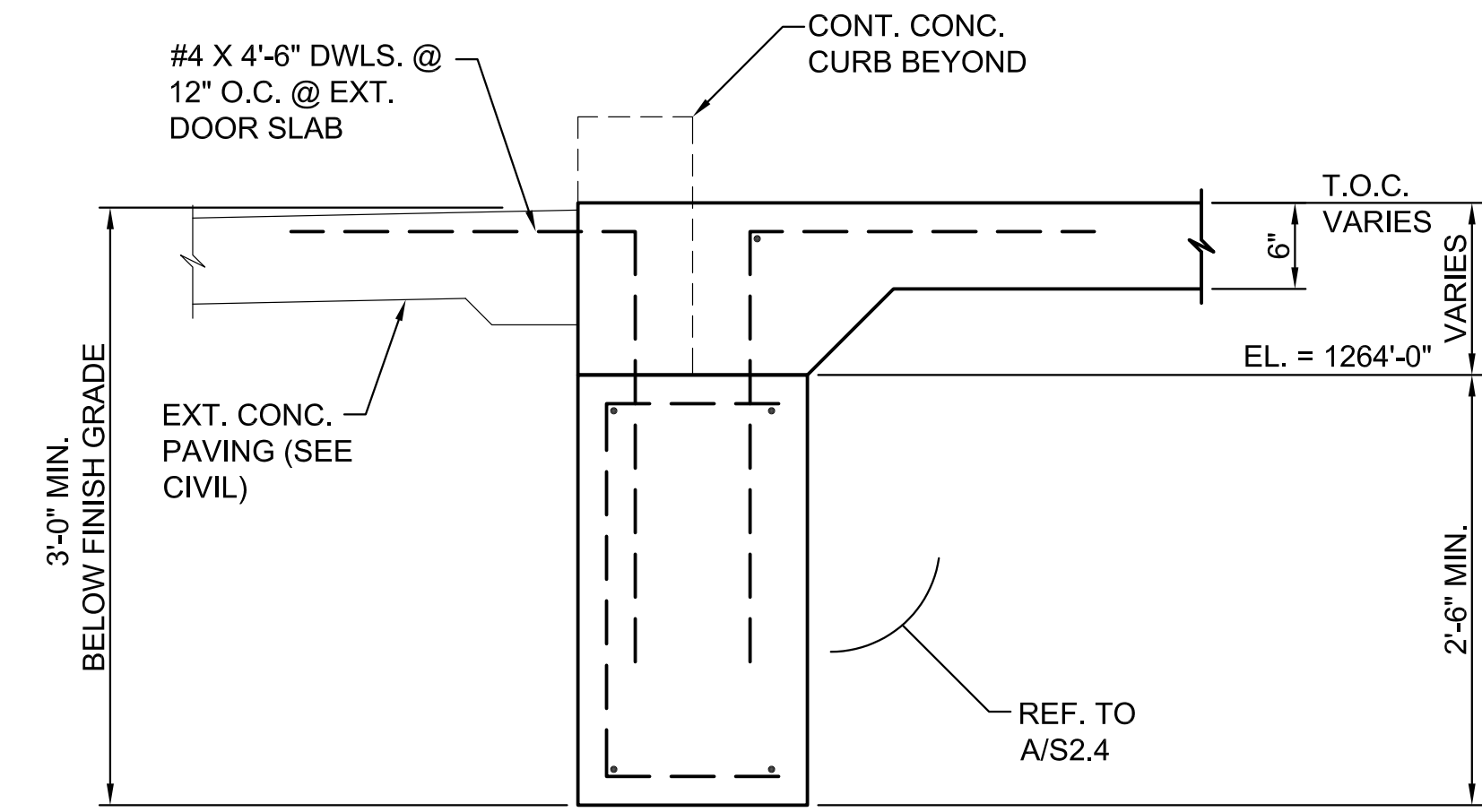
J:\PROJECTS\2015\1501010623\_COWI\_REUSE\_WATER\_SUPPLY\_SYSTEM\_150623\_CAD\SHOTS\06\_STRUCT\DWGS\S2.4.DWG



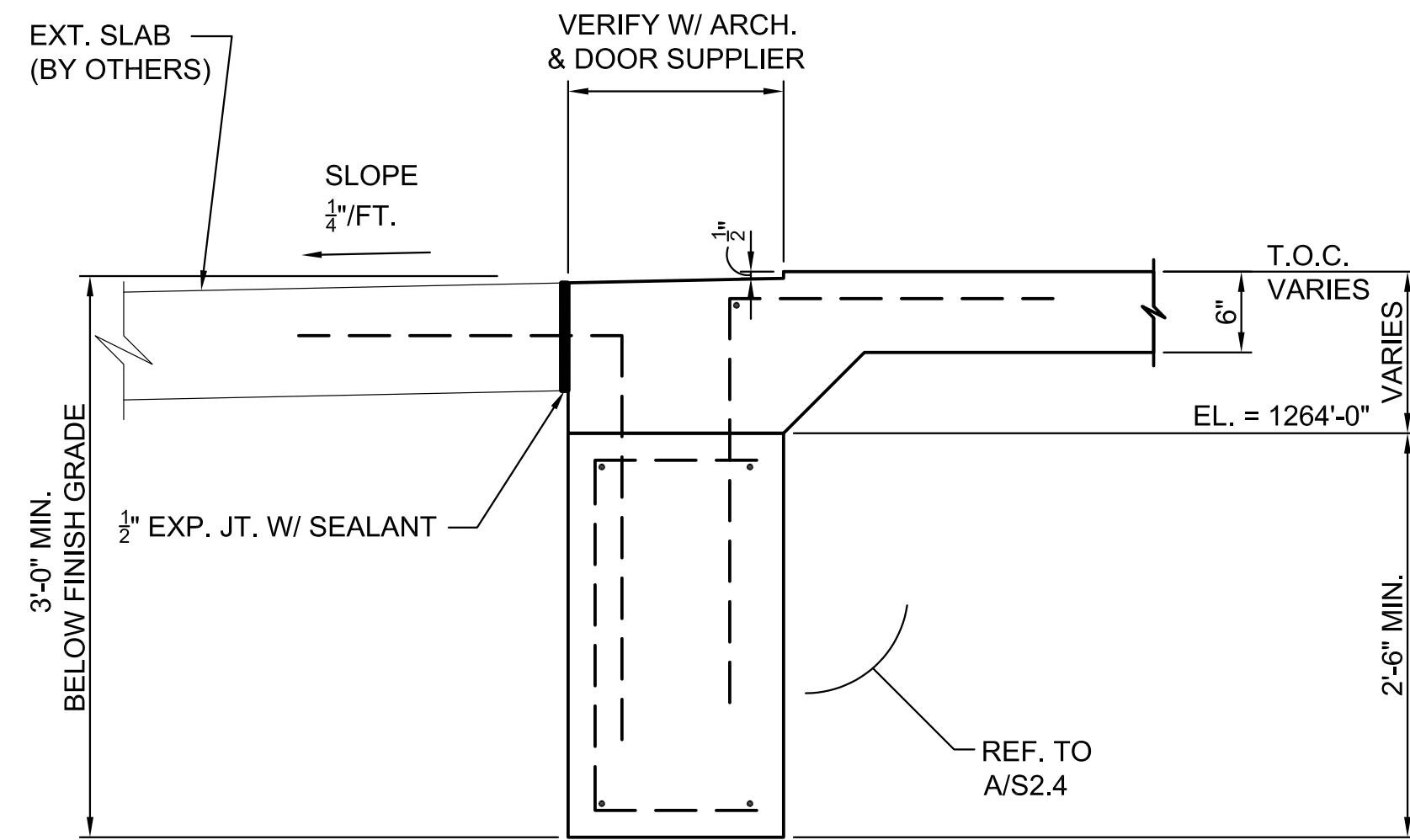
**A**  
S2.4  
**FOUNDATION SECTION**  
SCALE: 1" = 1'-0"



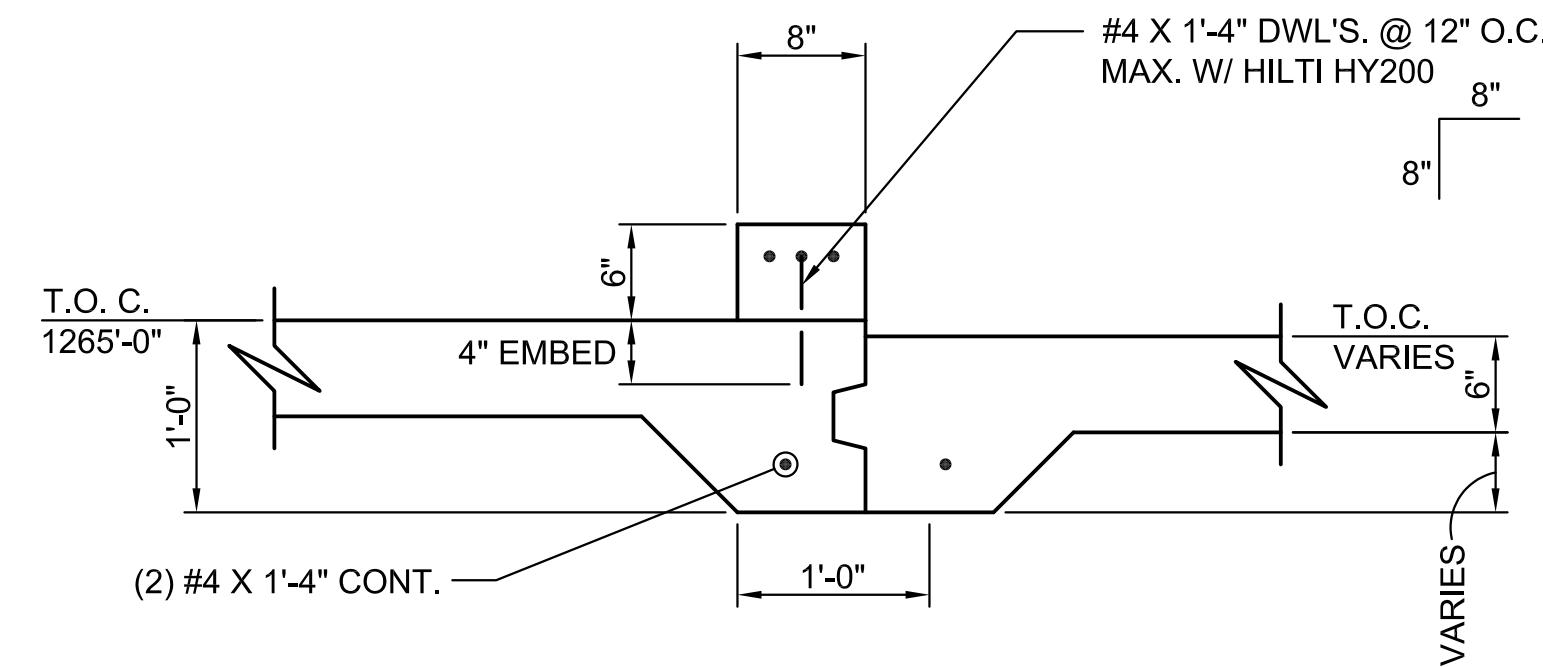
**B**  
S2.4  
**FOUNDATION SECTION**  
SCALE: 1" = 1'-0"



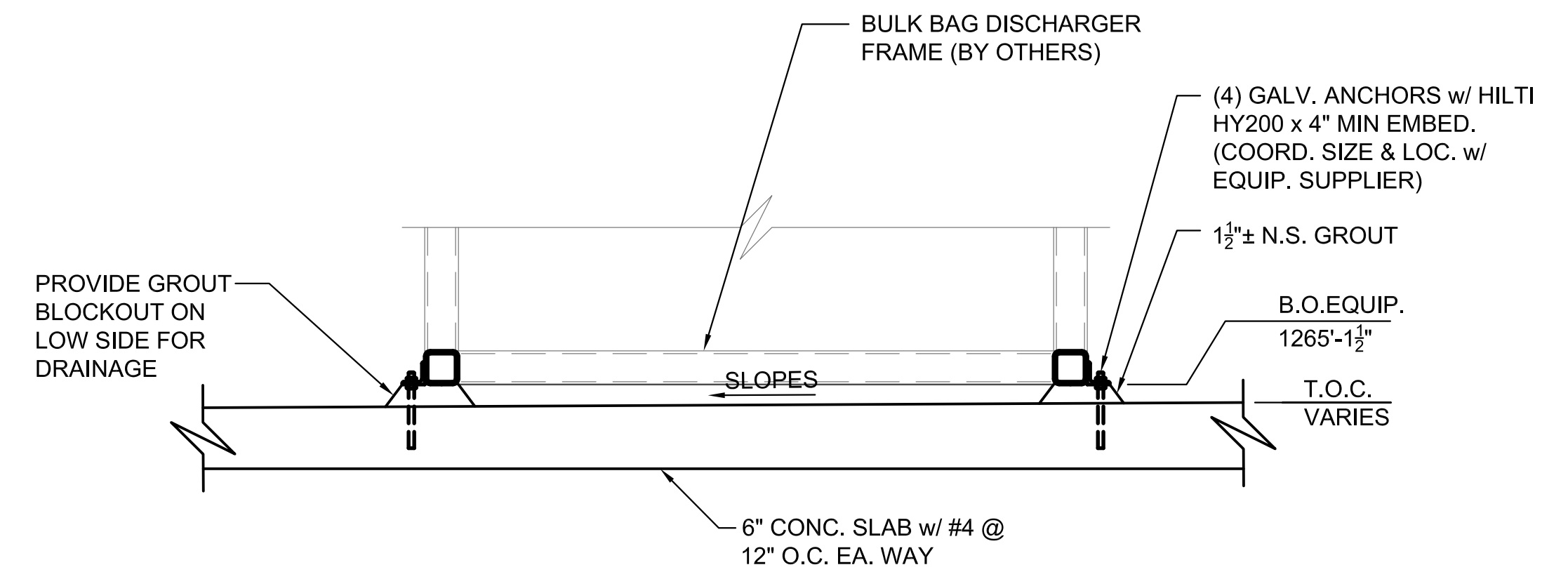
**C**  
S2.4  
**FOUNDATION SECTION**  
SCALE: 1" = 1'-0"



**D**  
S2.4  
**FOUNDATION SECTION**  
SCALE: 1" = 1'-0"



**E**  
S2.4  
**SECTION @ INT. CURB**  
SCALE: 1" = 1'-0"



**F**  
S2.4  
**BULK BAG DISCHARGER SECTION @ EQUIP.**  
SCALE: 1" = 1'-0"

©2016 MKEC Engineering All Rights Reserved www.mkec.com These drawings and their contents, including, but not limited to, all concepts, designs, & ideas are the exclusive property of MKEC Engineering (MKEC), and may not be used or reproduced in any way without the express consent of MKEC.

**FOUNDATION SECTIONS**

PROJECT NO.	468-85112	
DATE	04/18/16	
SCALE	AS NOTED	
DESIGNED	DRAWN	CHECKED
SK	CAM	AR

0	ISSUED FOR CONSTRUCTION	04/18/16
NO.	REVISION	DATE
SHEET NO.		
S2.4		

