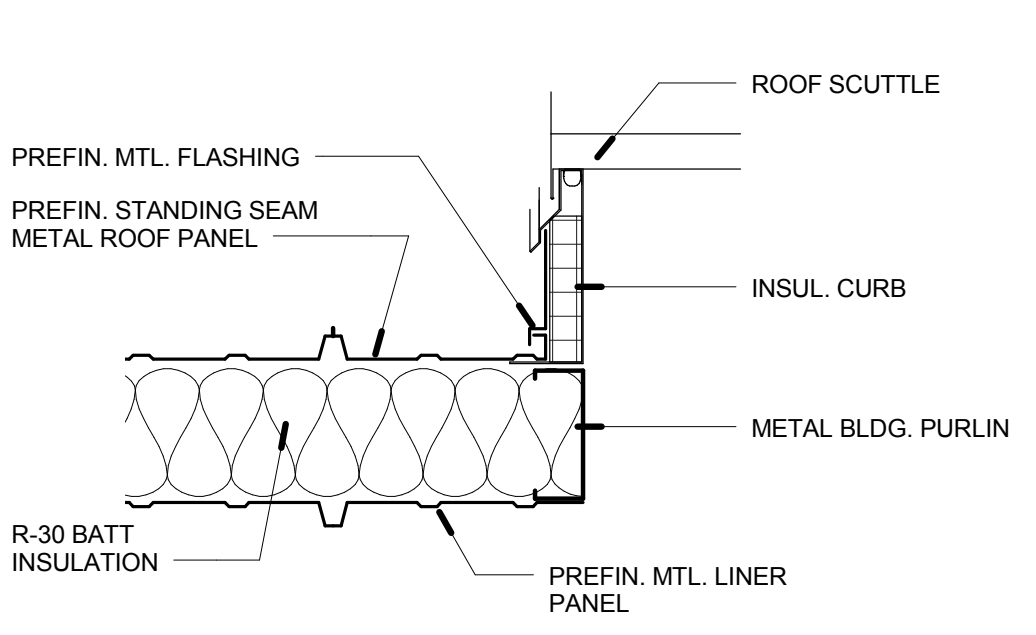
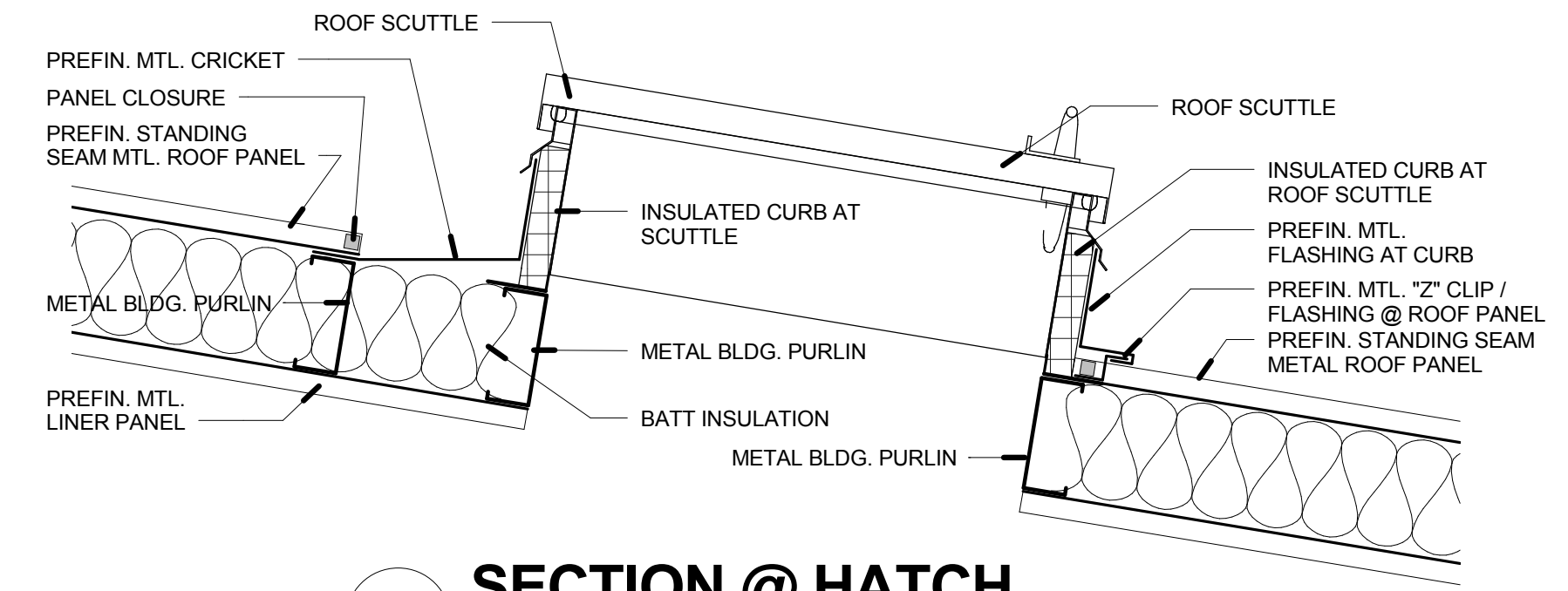


4/21/2016 11:57:41 PM

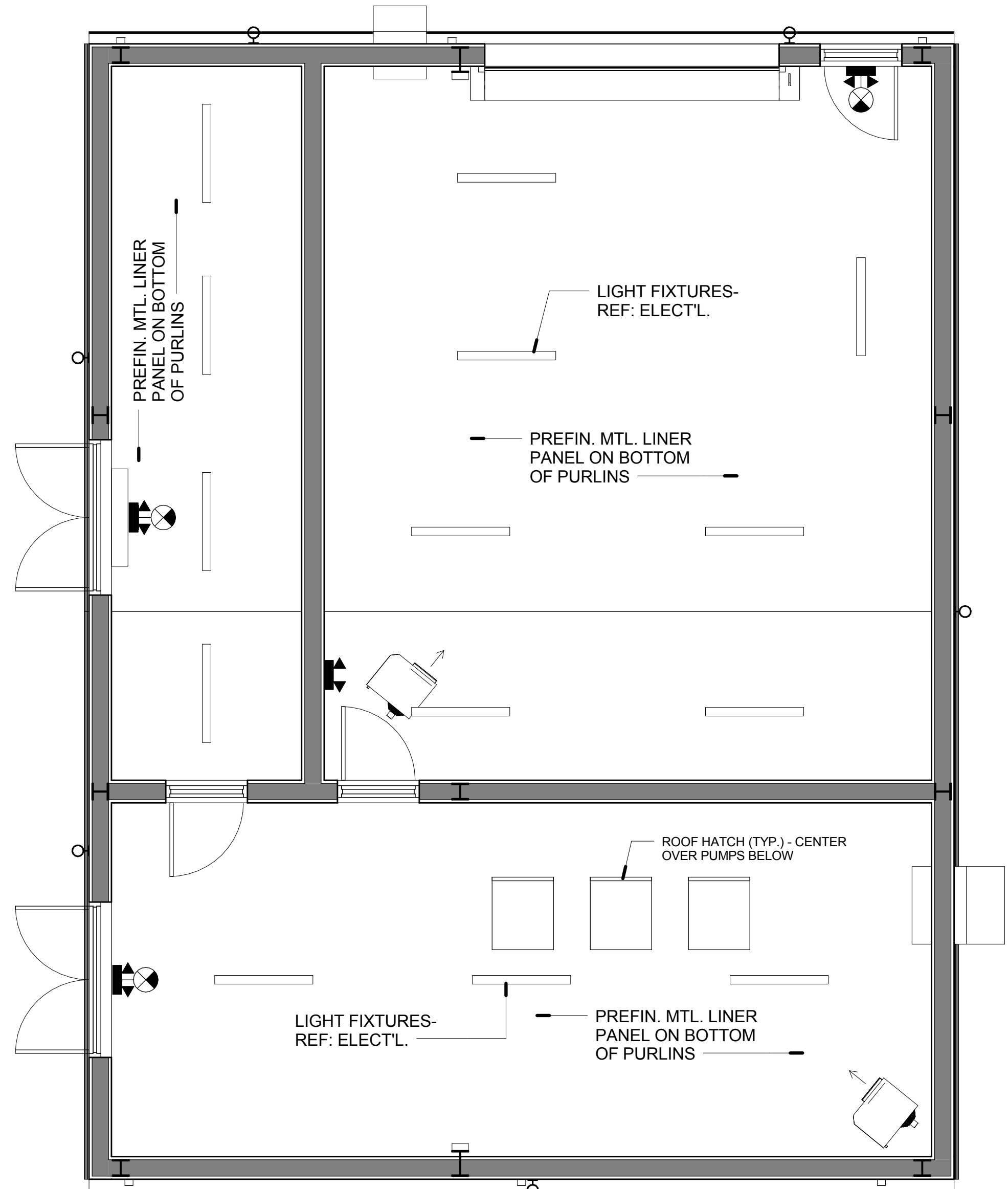
C:\2015-04-CDW Pump Station\cdw\architecture\CDW WATER PUMP.rvt



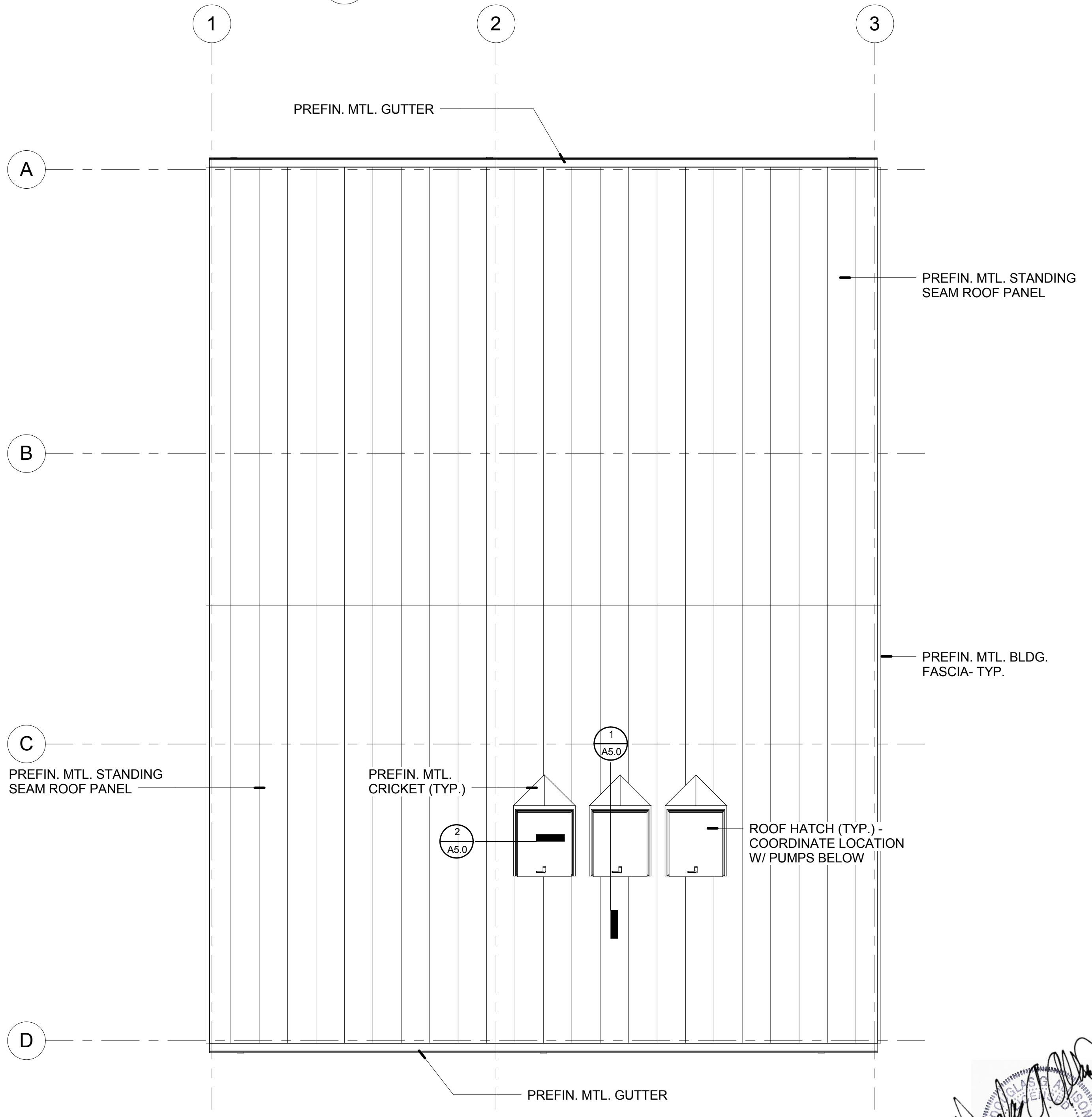
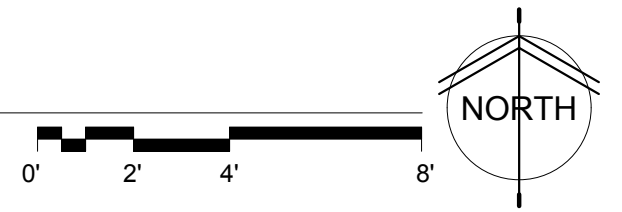
2 ROOF HATCH SIDECURB
1" = 1'-0"



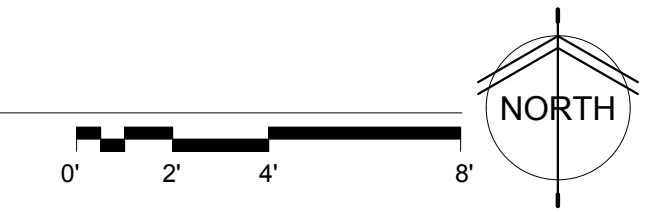
1 SECTION @ HATCH
1" = 1'-0"



B REFLECTED CEILING PLAN
1/4" = 1'-0"



A ROOF PLAN
1/4" = 1'-0"



CITY OF WICHITA, KANSAS
RE-USE WATER PUMP STATION
TO SERVE SPIRT AEROSYSTEMS

©2016 MKEC Engineering All Rights Reserved www.mkec.com
These drawings and their contents, including, but not limited to, all concepts, designs, & ideas are the exclusive property of MKEC Engineering (MKEC), and may not be used or reproduced in any way without the express consent of MKEC.

ROOF PLAN

PROJECT NO.	468-85112
DATE	04-18-16
SCALE	AS NOTED
DESIGNED	DGA
DRAWN	TEAM
CHECKED	DGA

0	ISSUED FOR CONSTRUCTION	04/18/16
NO.	REVISION	DATE

SHEET NO. A5.0

