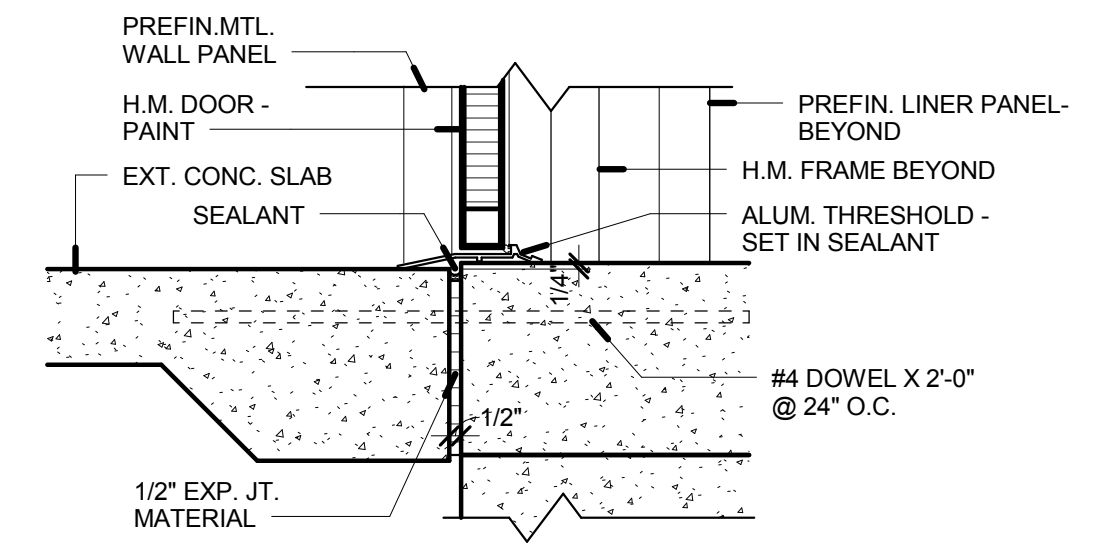
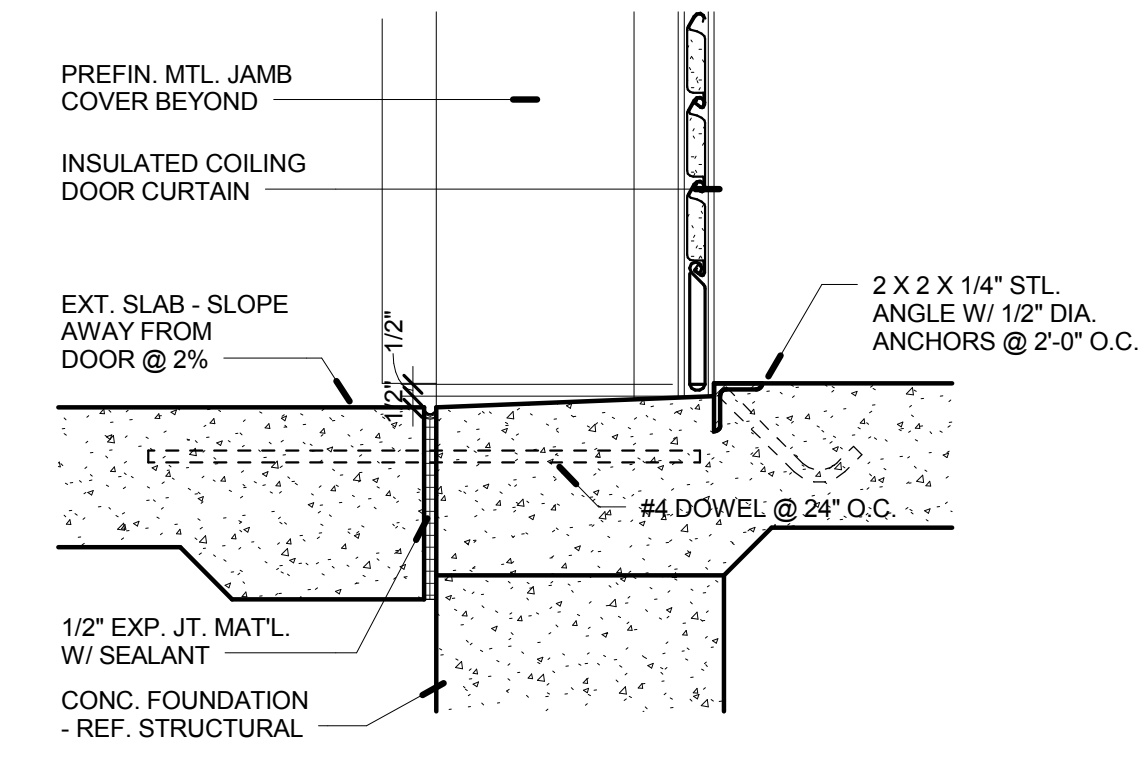
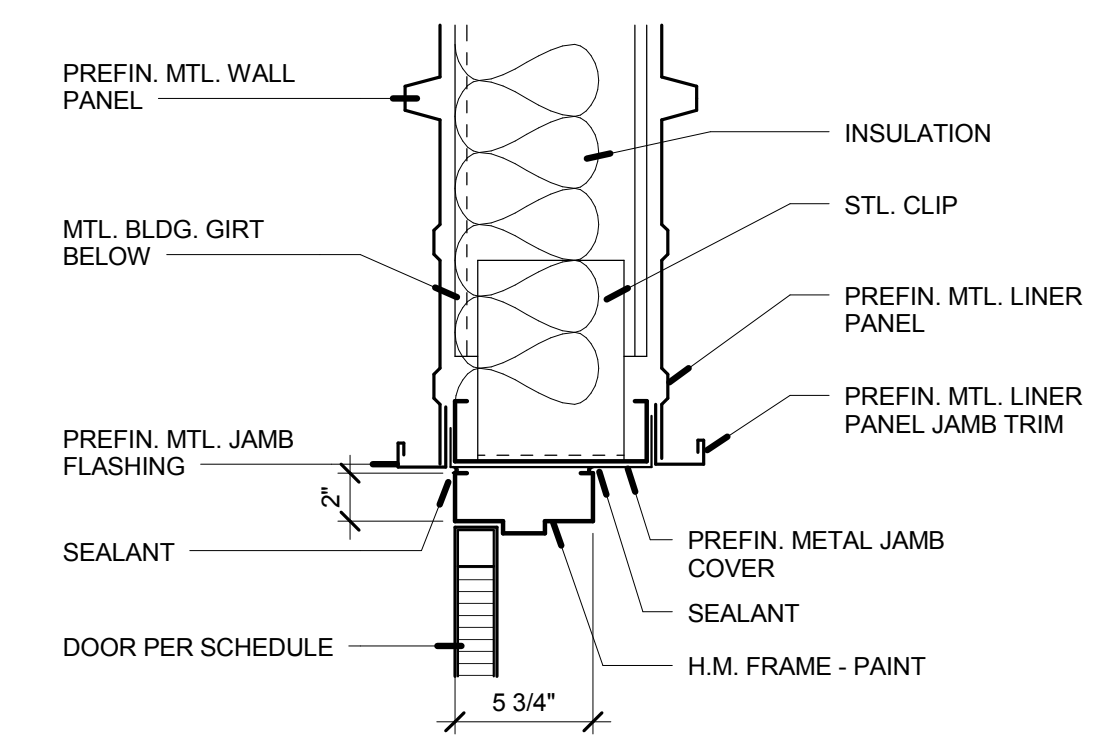
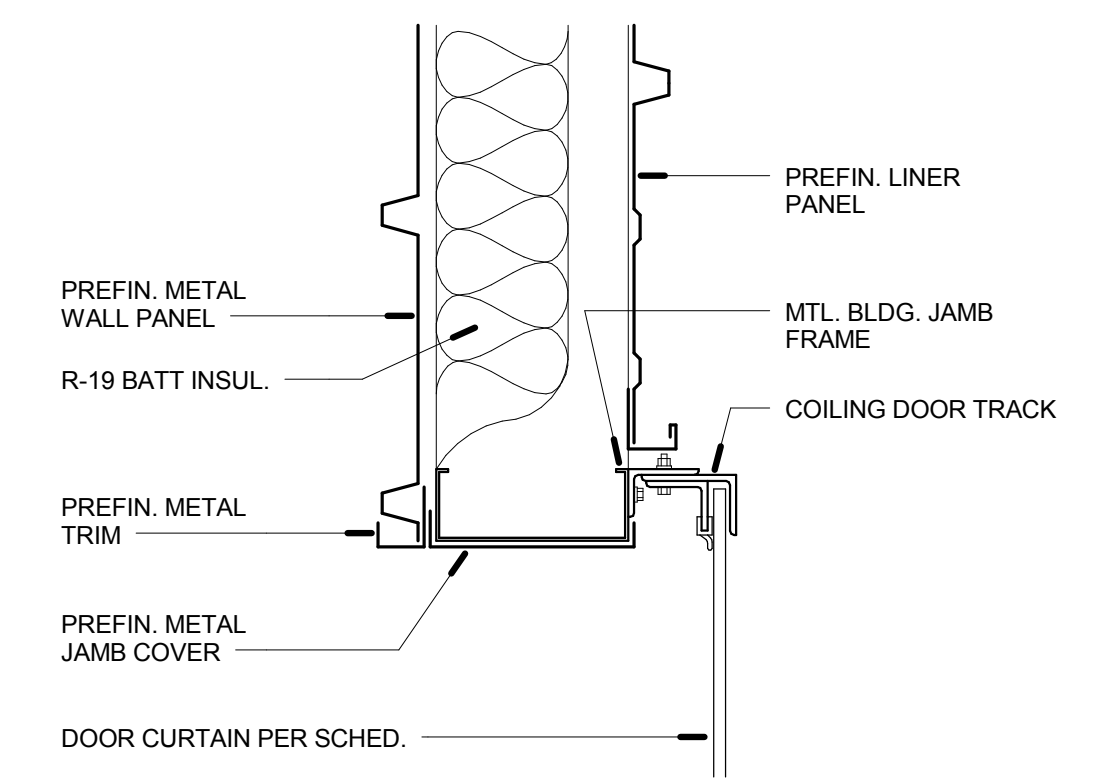
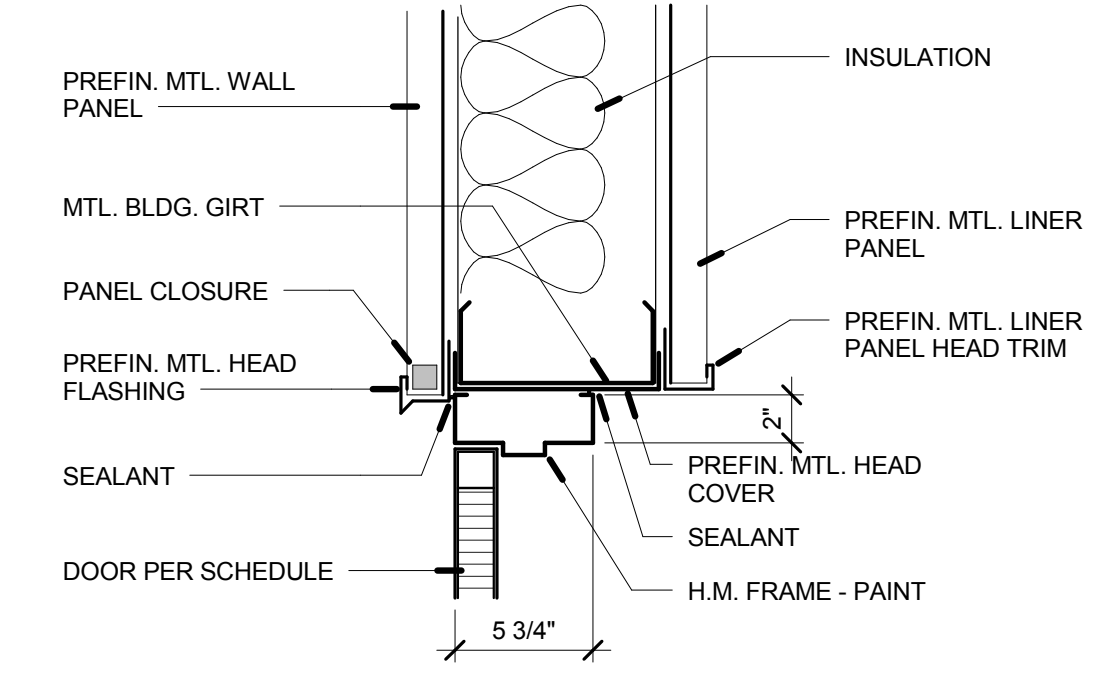
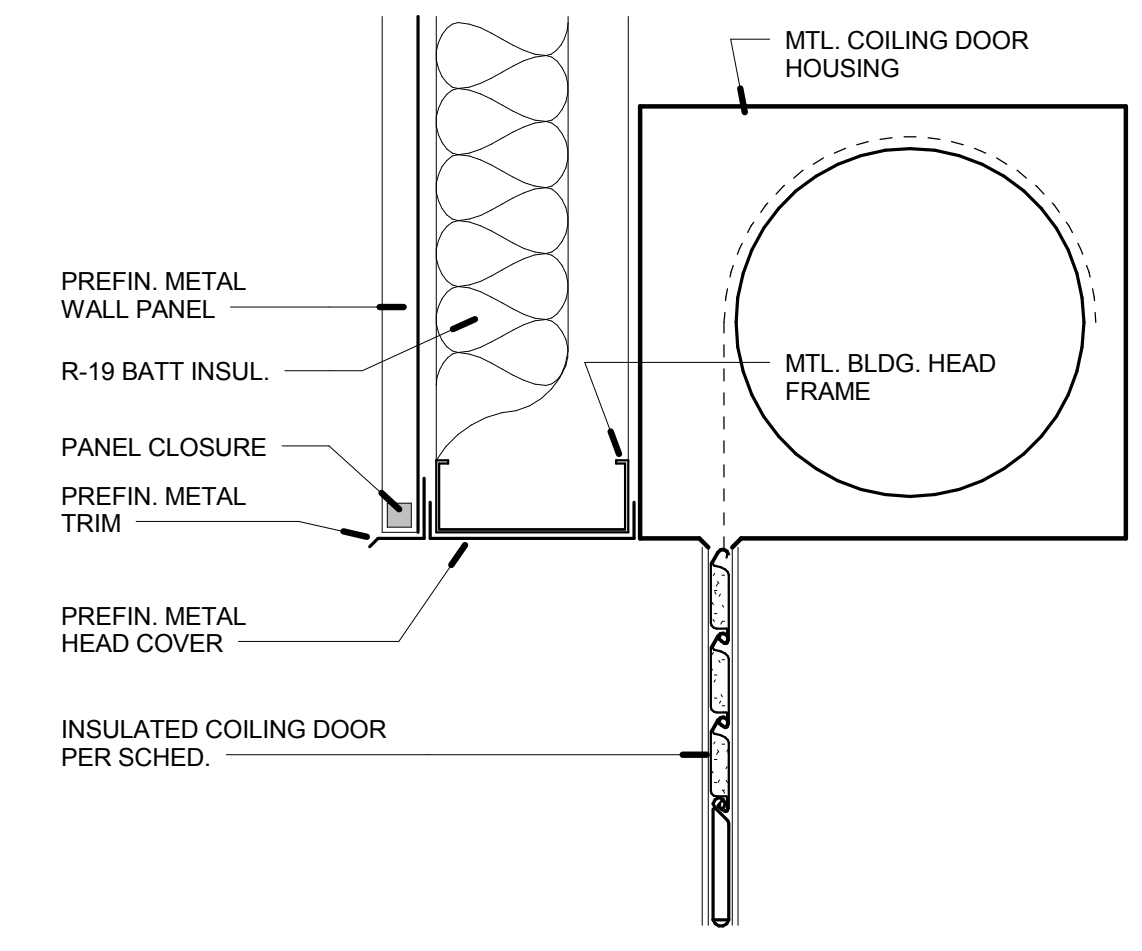
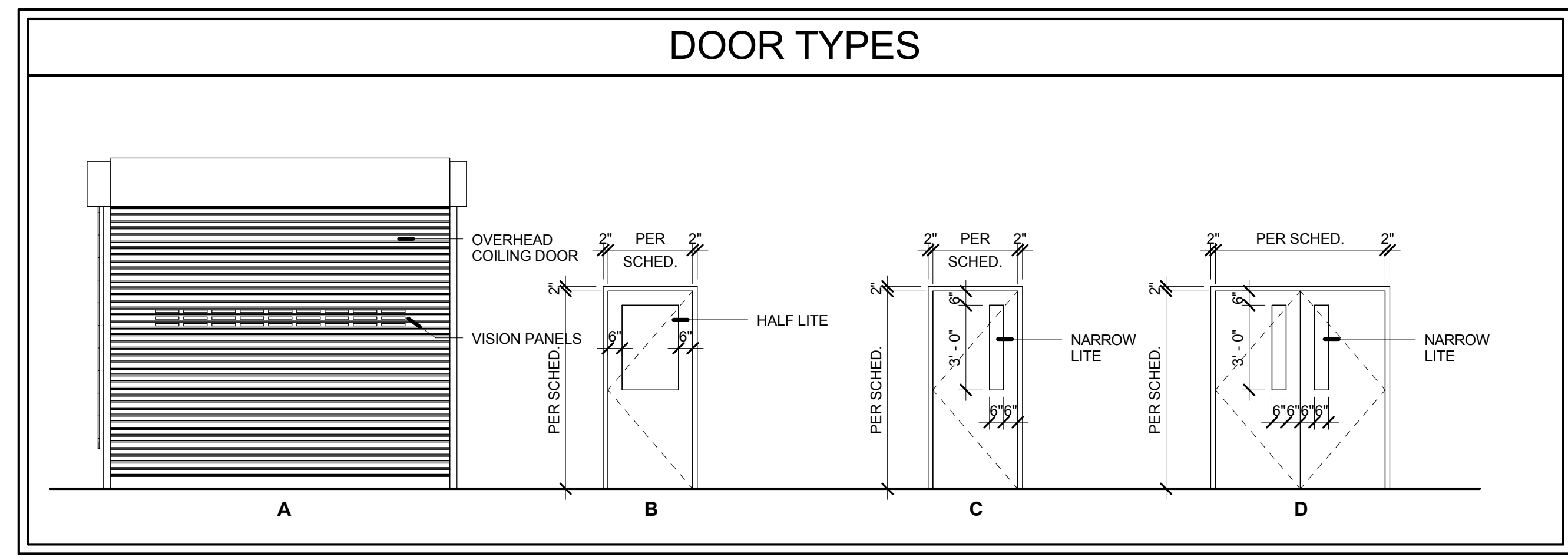


4/2/2016 11:57:42 PM

NO.	DOORS					Door Finish	FRAME		FRMWR	RATING	DETAILS			REMARKS
	W	H	T	TYPE	MAT'L		TYPE	Frame Matl			FINISH	HEAD	JAMB	
101A	12'-0"	10'-0"	2"	A	STEEL	PREFIN.	A		SET 1	N/A	1/A6.1	2/A6.1	3/A6.1	
101B	3'-0"	7'-0"	1 3/4"	B	H.M.	PAINT	B	H.M.	SET 2	N/A	4/A6.1	5/A6.1	6/A6.1	
101C	3'-0"	7'-0"	1 3/4"	C	H.M.	PAINT	C	H.M.	SET 4	N/A	4/A6.1	5/A6.1	6/A6.1	
102	6'-0"	7'-0"	1 3/4"	D	H.M.	PAINT	D	H.M.	SET 3	N/A	4/A6.1	5/A6.1	6/A6.1	
103A	6'-0"	7'-0"	1 3/4"	D	H.M.	PAINT	D	H.M.	SET 3	N/A	4/A6.1	5/A6.1	6/A6.1	
103B	3'-0"	7'-0"	1 3/4"	C	H.M.	PAINT	C	H.M.	SET 5	N/A	4/A6.1	5/A6.1	6/A6.1	

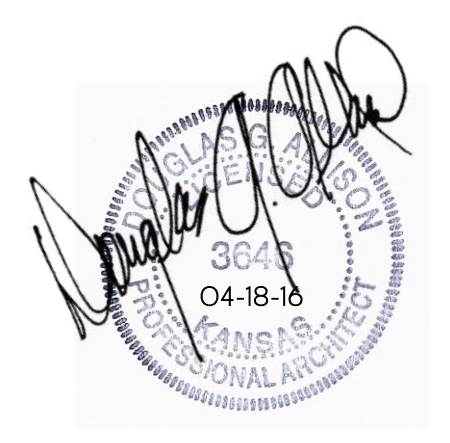


CITY OF WICHITA, KANSAS
RE-USE WATER PUMP STATION
TO SERVE SPIRT AEROSYSTEMS

©2016 MKEC Engineering All Rights Reserved www.mkec.com
These drawings and their contents, including, but not limited to, all concepts, designs, & ideas are the exclusive property of MKEC Engineering (MKEC), and may not be used or reproduced in any way without the express consent of MKEC.

SCHEDULES & OPENING DETAILS

PROJECT NO.	468-85112
DATE	04-18-16
SCALE	AS NOTED
DESIGNED	DGA
DRAWN	TEAM
CHECKED	DGA



0	ISSUED FOR CONSTRUCTION	04/18/16
NO.	REVISION	DATE

SHEET NO. **A6.0**

C:\2015-204 COW Pump Station\Architecture\COW WATER PUMP.rvt