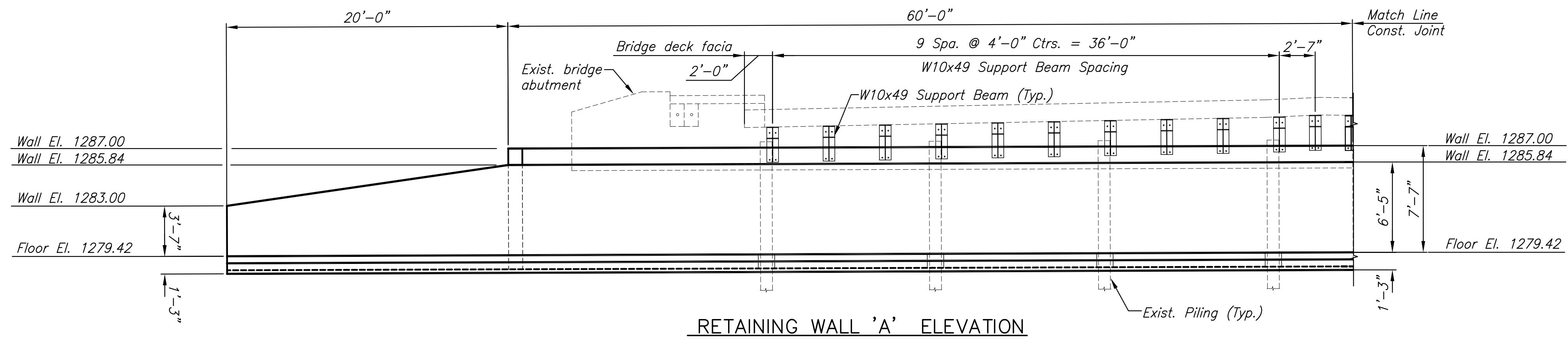
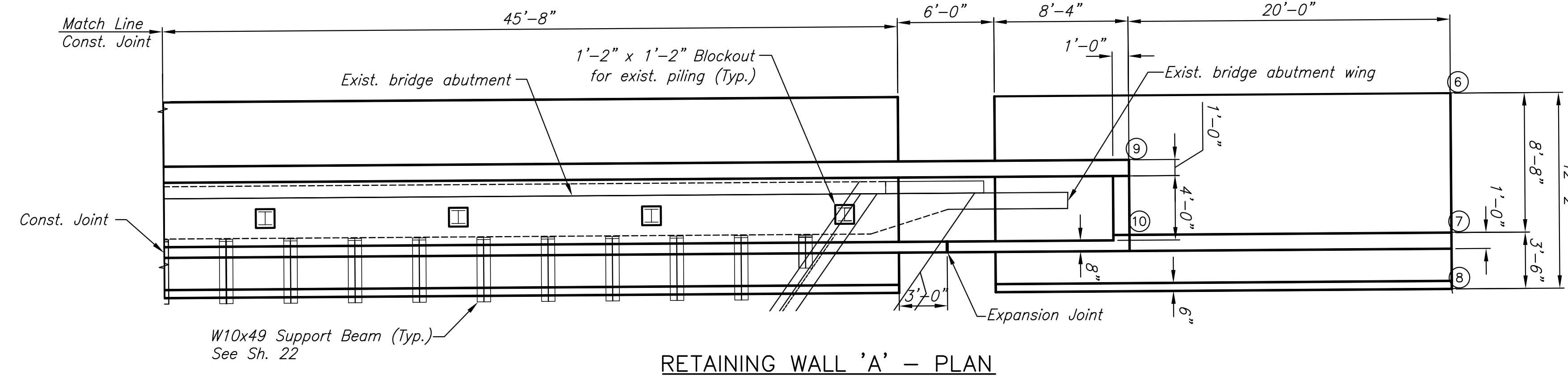


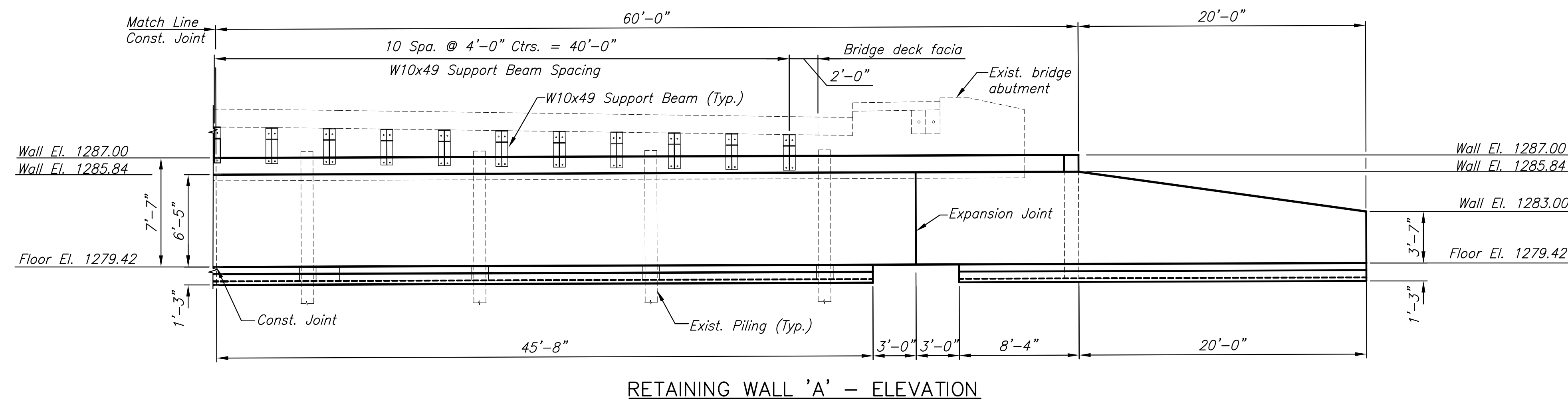
NOTE: See Sheet No. 21 for W10x49 support beam details



Wall 'A' Point Table		
Point #	Northing	Easting
1	1673162.33	1646279.32
2	1673167.47	1646286.29
3	1673169.55	1646289.11
4	1673180.80	1646270.66
5	1673183.57	1646274.42
6	1673291.09	1646184.34
7	1673296.24	1646191.32
8	1673298.32	1646194.13
9	1673277.37	1646199.43
10	1673280.14	1646203.19



NOTE: See Sheet No. 21 for W10x49 support beam details



PLOT DATE: Thursday, April 05, 2016 @ 11:52AM

S:\CH\B\472-8492\PT12854 Wall Plan Word.DWG

©2013 MKEC Engineering All Rights Reserved www.mkec.com  
These drawings and their contents, including, but not limited to, all concepts, designs, & ideas are the exclusive property of MKEC Engineering (MKEC), and may not be used or reproduced in any way without the express consent of MKEC.

**RETAINING WALL 'A' PLAN & ELEVATION**

PROJECT NO.	472-84922	
DATE	04/05/2016	
SCALE	3/8" = 1'-0"	
DESIGNED	DRAWN	CHECKED
HWL	DPG	KJS
NO.	REVISION	DATE