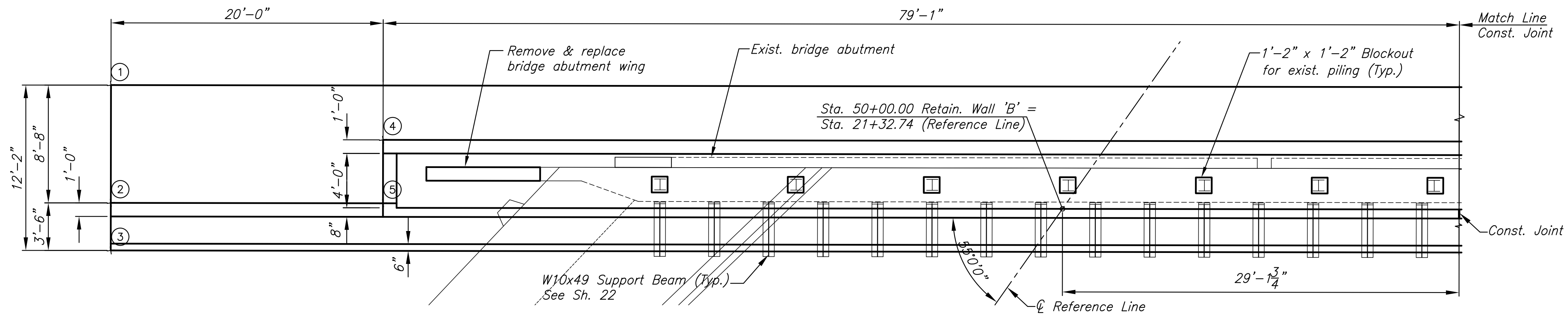
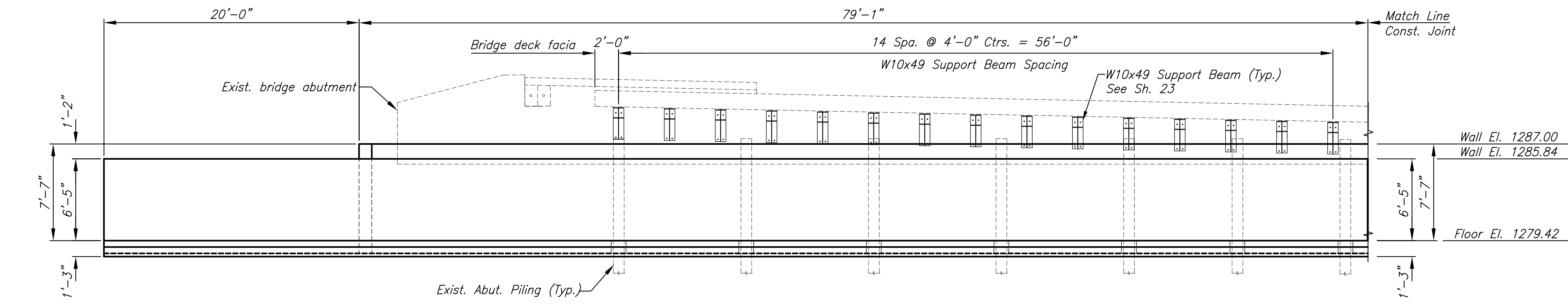


PLOT DATE: Thursday, April 05, 2016 @ 11:55AM

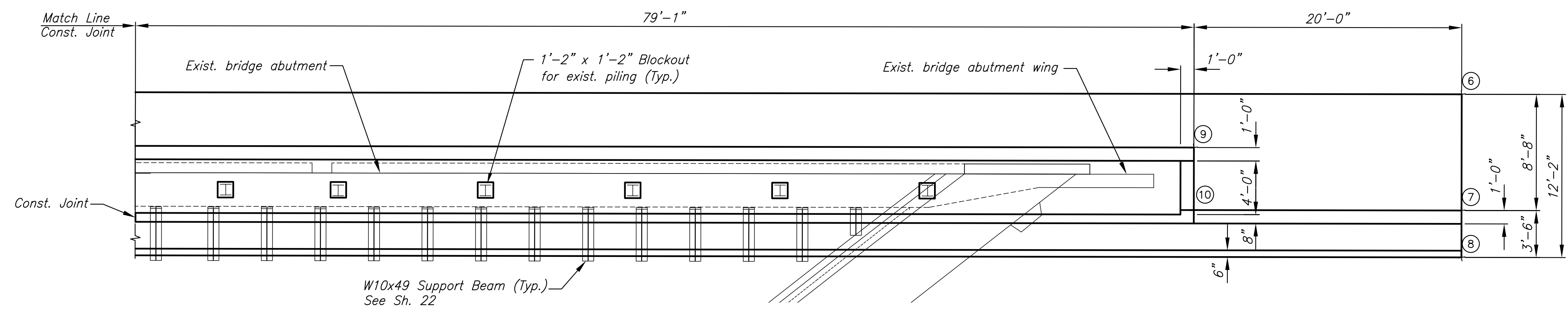
J:\CH\1264\dwg\PT1264 Wall Plan Encl.DWG



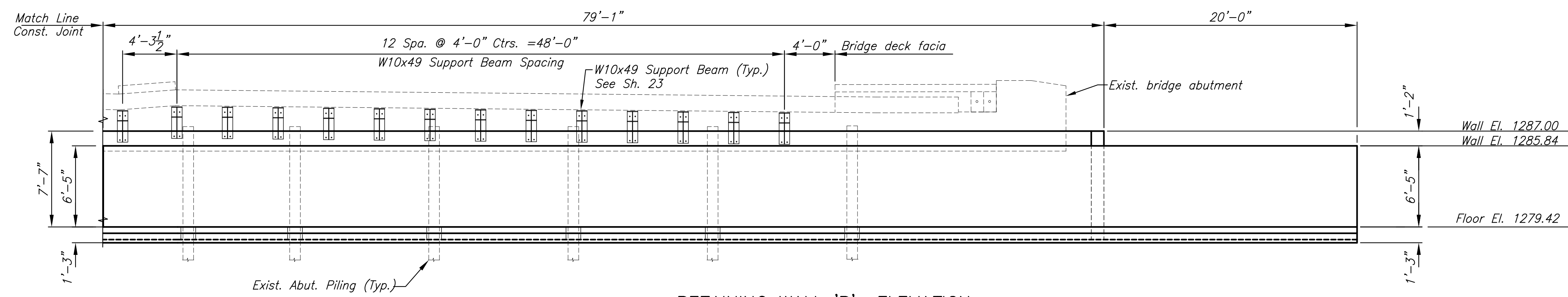
RETAINING WALL 'B' PLAN



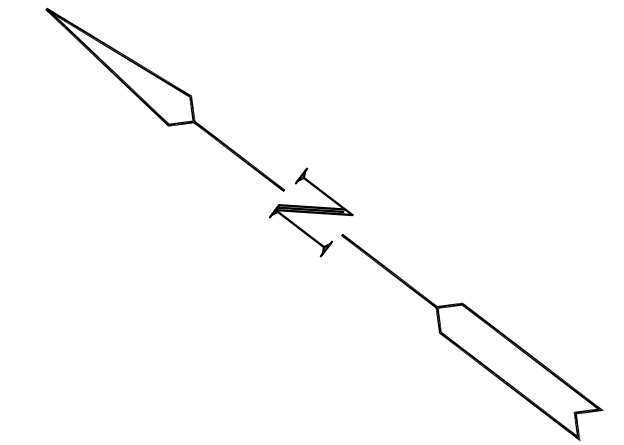
RETAINING WALL 'B' ELEVATION



RETAINING WALL 'B' PLAN

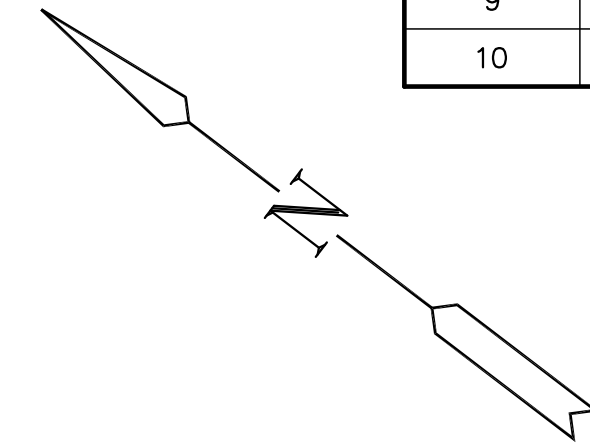


RETAINING WALL 'B' ELEVATION



NOTE: See Sheet No. 21 for W10x49 support beam details

Wall 'B' Point Table		
Point #	Northing	Easting
1	1673301.79	1646579.23
2	1673296.64	1646572.25
3	1673294.57	1646569.43
4	1673283.32	1646587.88
5	1673280.55	1646584.12
6	1673142.31	1646696.85
7	1673137.16	1646689.88
8	1673135.09	1646687.06
9	1673156.03	1646681.76
10	1673153.26	1646678.01



NOTE: See Sheet No. 21 for W10x49 support beam details

©2013 MKEC Engineering All Rights Reserved
www.mkec.com
These drawings and their contents, including, but not limited to, all concepts, designs, & ideas are the exclusive property of MKEC Engineering (MKEC), and may not be used or reproduced in any way without the express consent of MKEC.

RETAINING WALL 'B' PLAN & ELEVATION

PROJECT NO.	472-84922	
DATE	04/05/2016	
SCALE	3/8" = 1'-0"	
DESIGNED	DRAWN	CHECKED
HWL	DPG	KJS
NO.	REVISION	DATE