

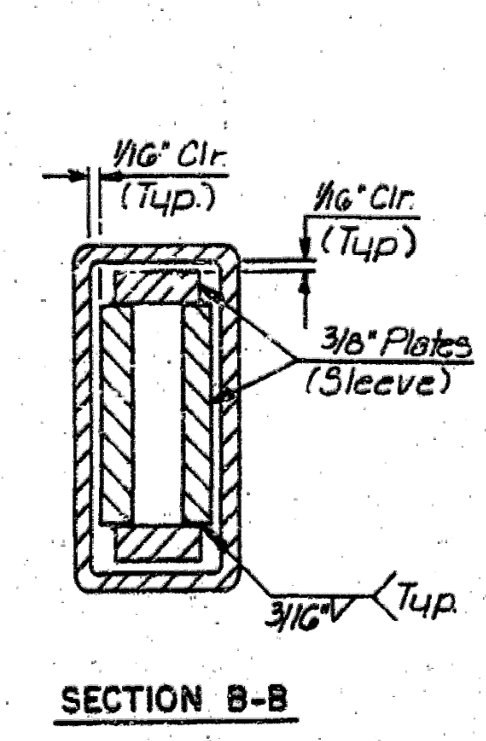
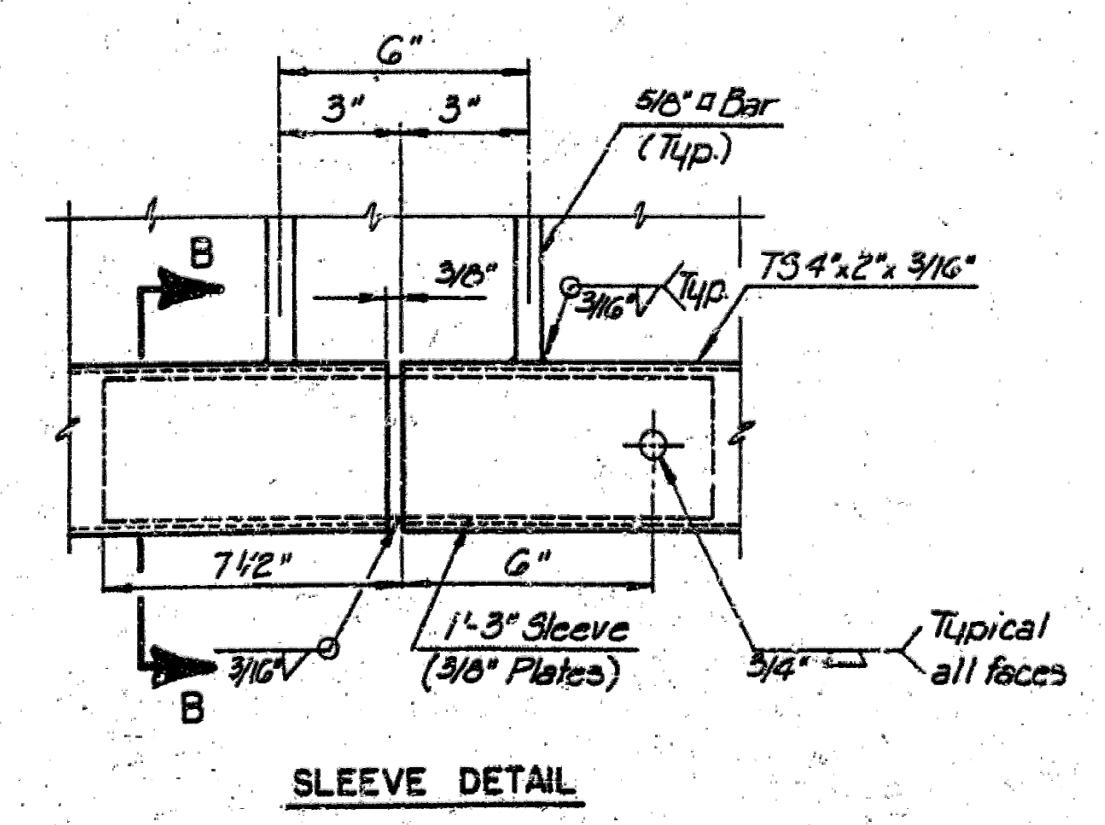
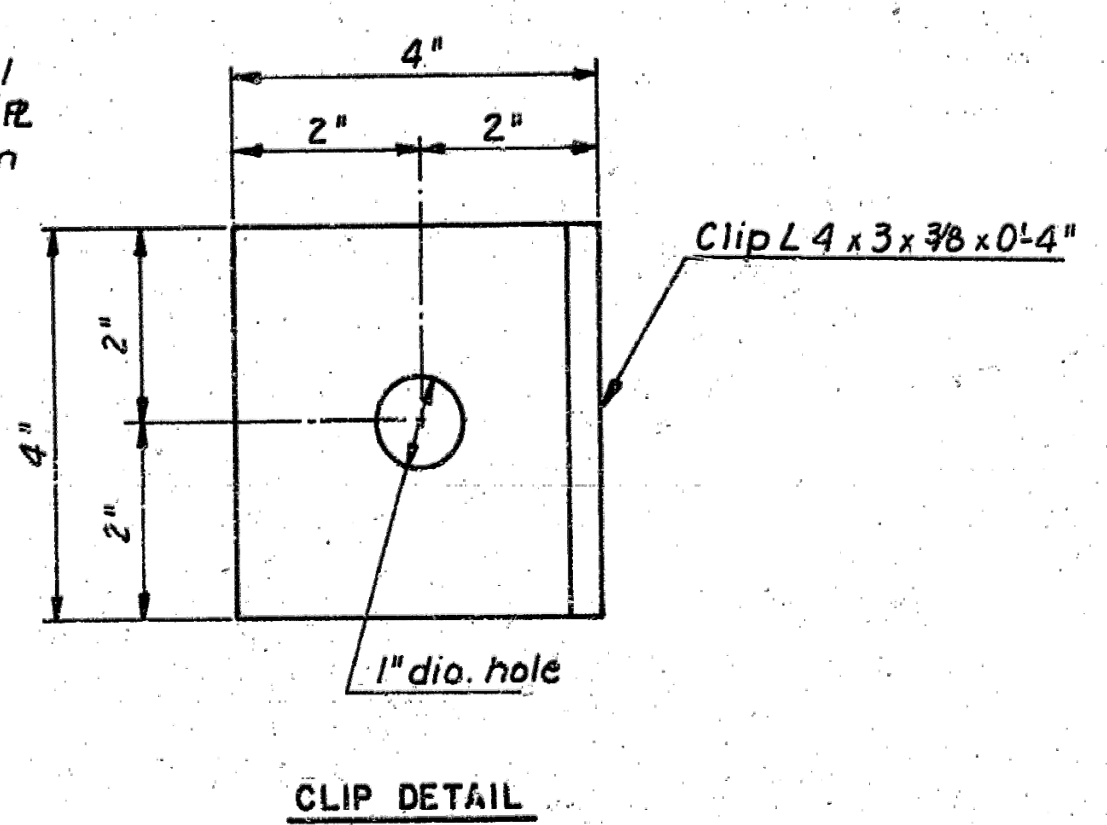
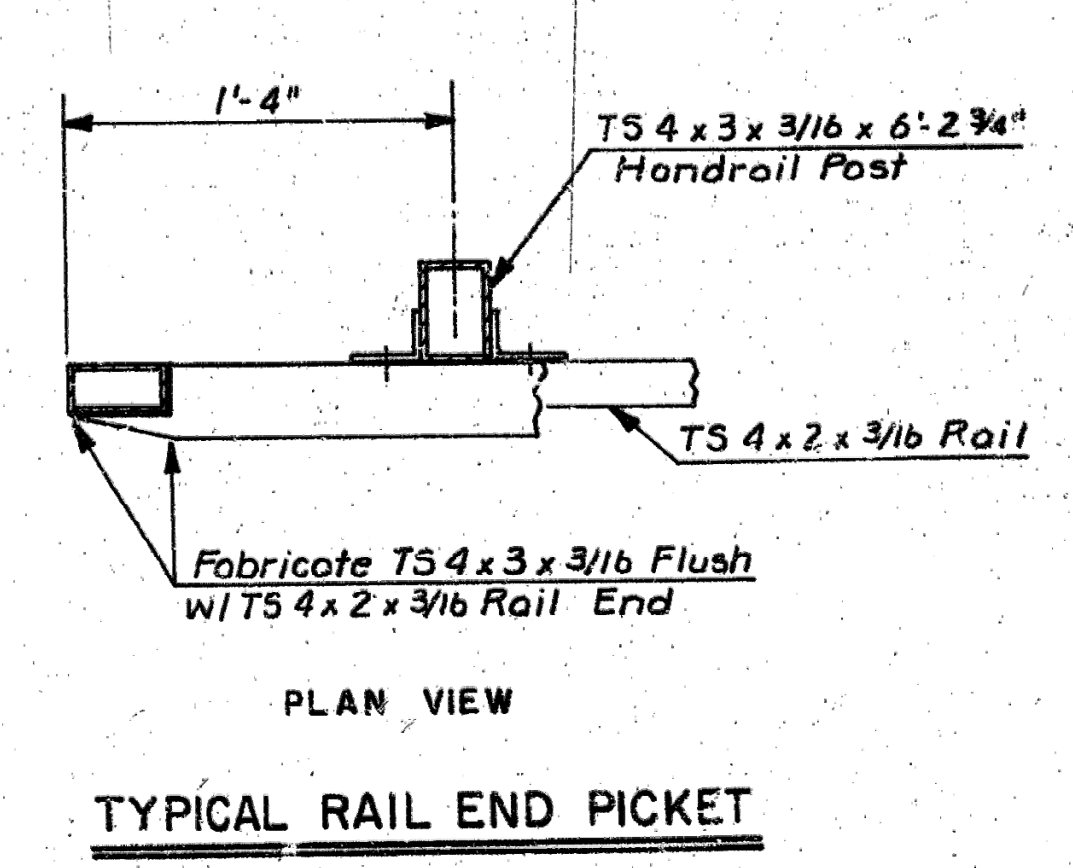
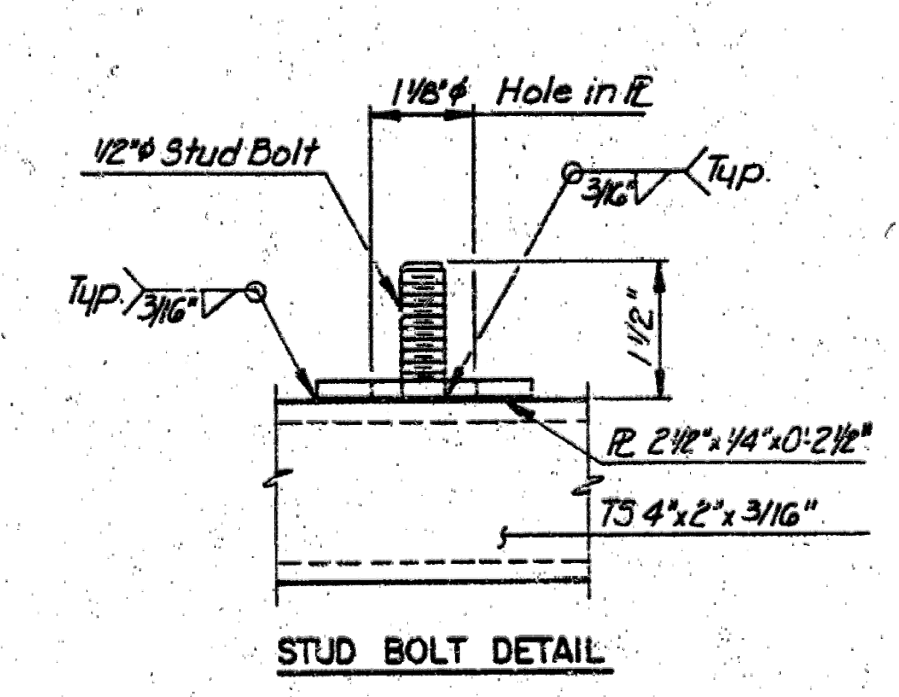
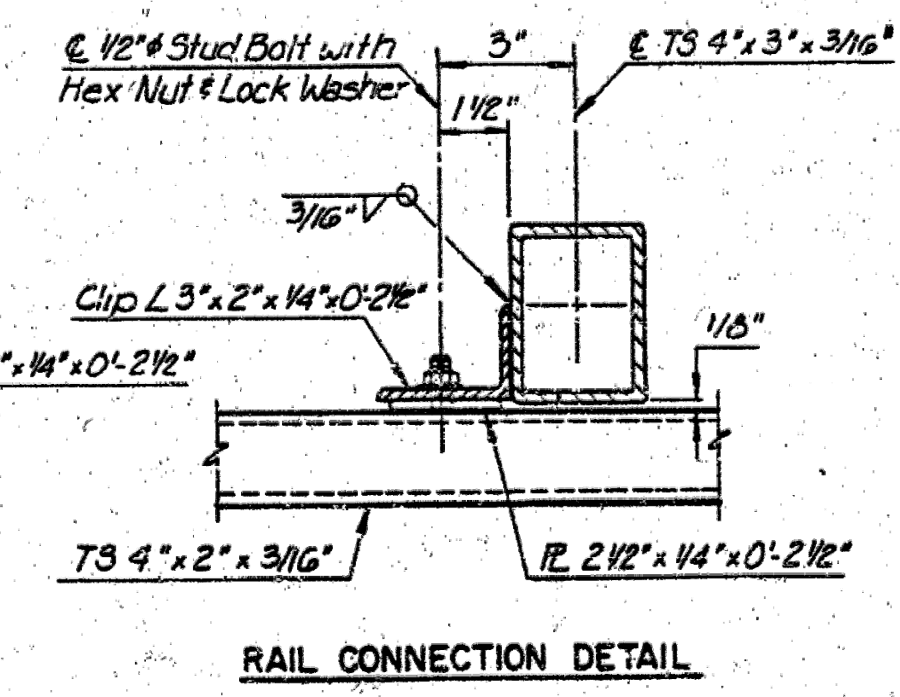
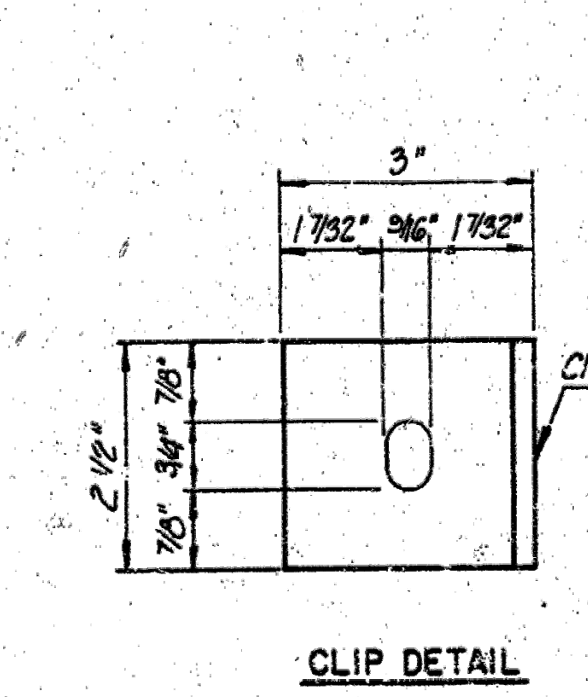
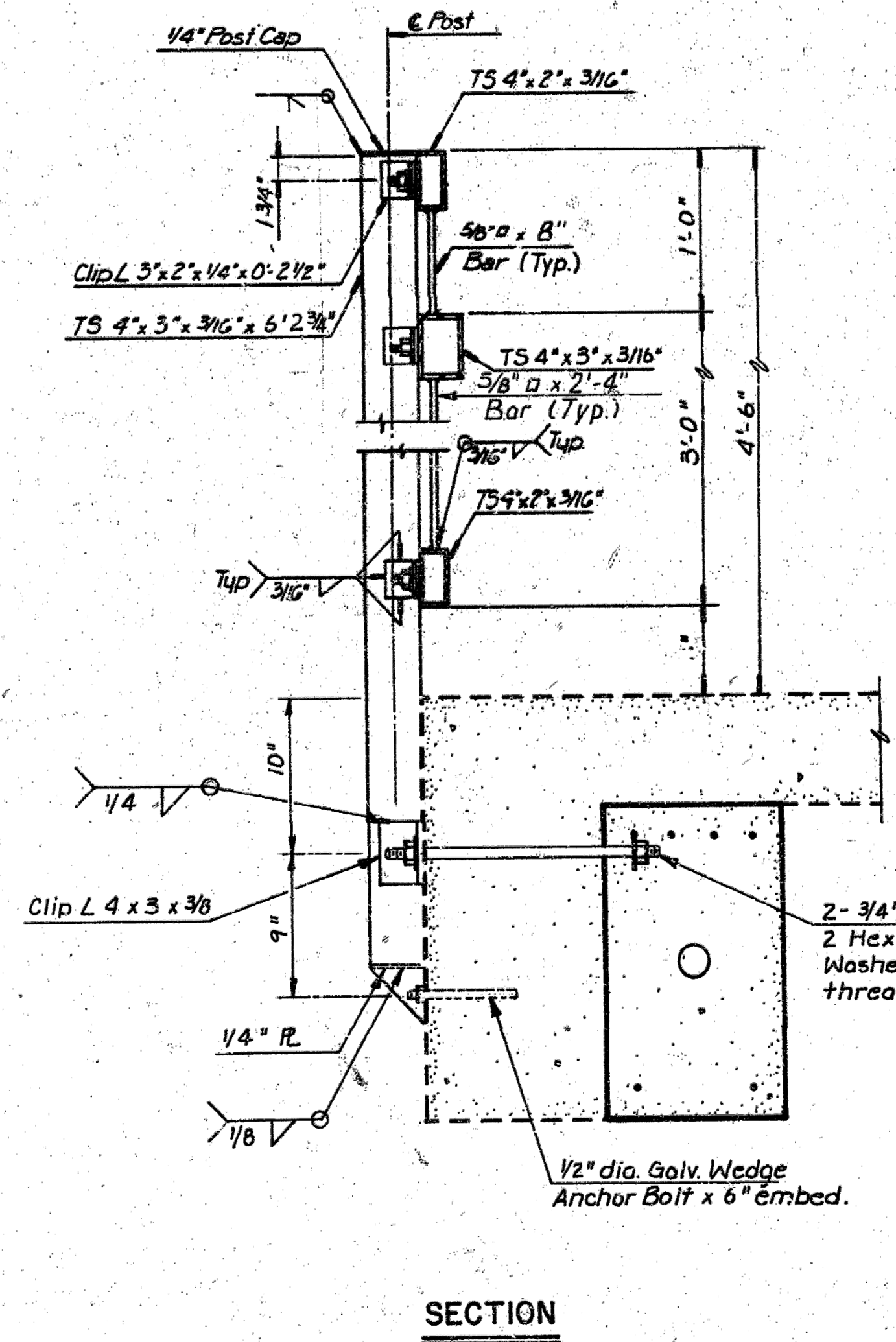
BRIDGE HANDRAIL NOTES:

The rail members shall conform to ASTM Designation A36 or equivalent.

Rail shall be fabricated in lengths to include a minimum of two and a maximum of three panels. Posts shall be set vertical. Galvanized shims may be used between concrete posts. Items noted as "galvanized" shall be galvanized according to ASTM A123.

All parts of bridge handrail shall be painted black. Shop and field coats shall conform to inorganic zinc-vinyl system of the Standard Specifications for State Road and Bridge Construction, 1990 Edition, Kansas Department of Transportation. All materials, equipment and labor necessary for the installation of the handrail on the bridge shall be subsidiary to the bid item, "Bridge Handrail (Type II)."

PEDESTRIAN HANDRAIL ELEVATION
BRIDGE HANDRAIL (TYPE II)



©2013 MKEC Engineering All Rights Reserved
www.mkec.com
These drawings and their contents, including, but not limited to, all concepts, designs, & ideas are the exclusive property of MKEC Engineering (MKEC), and may not be used or reproduced in any way without the express consent of MKEC.

BRIDGE HANDRAIL TYPE II	
PROJECT NO.	472-84922
DATE	04/05/2016
SCALE	NONE
DESIGNED	DRAWN
HWL	DPG
CHECKED	KJS
NO.	REVISION
	DATE