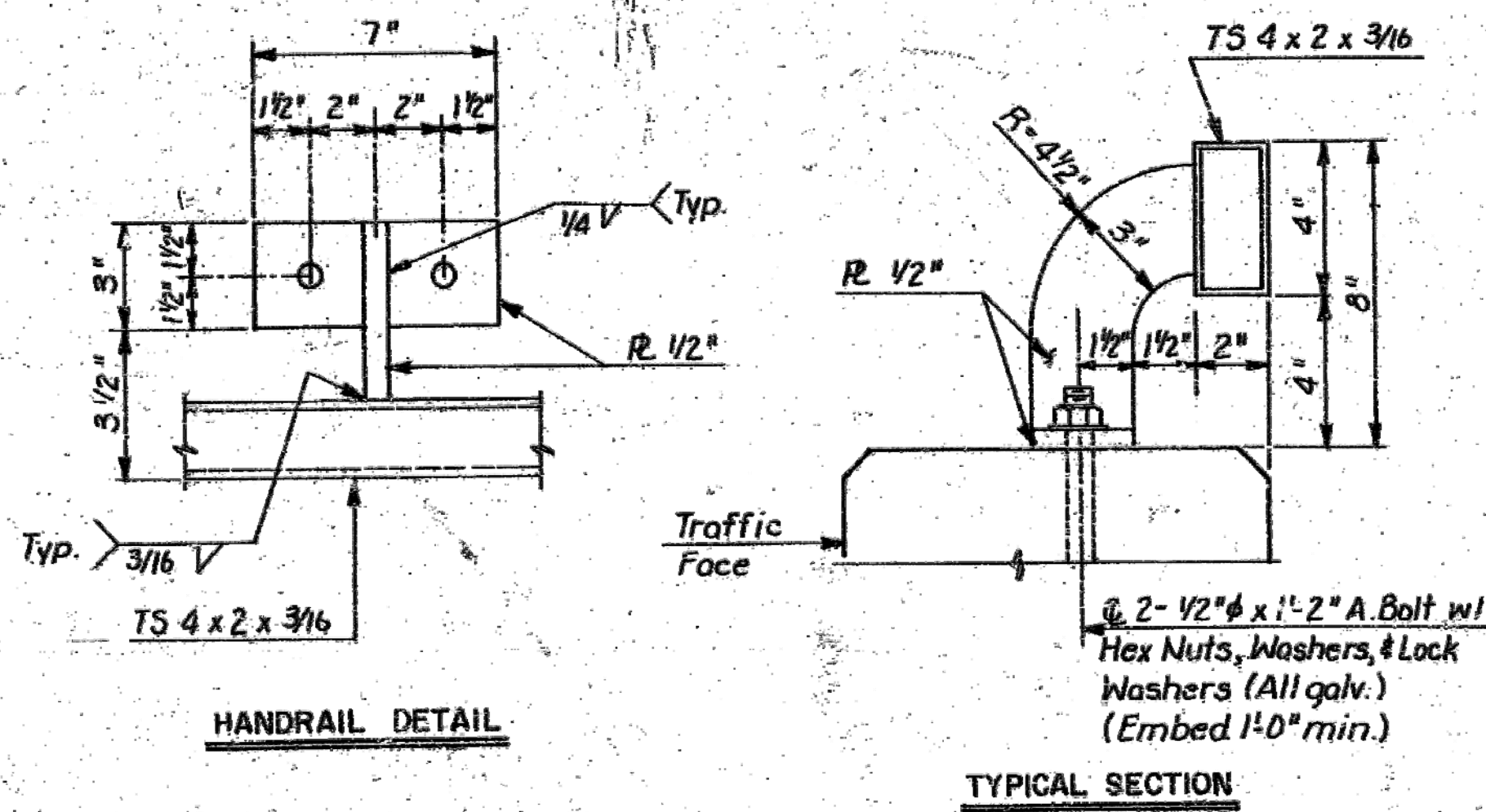
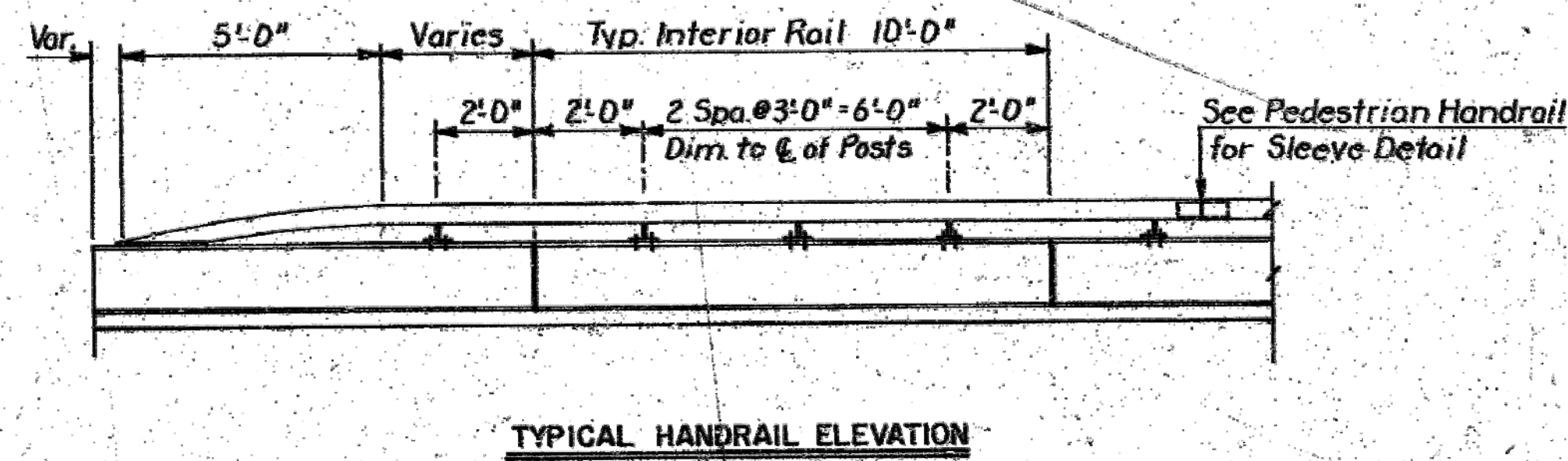
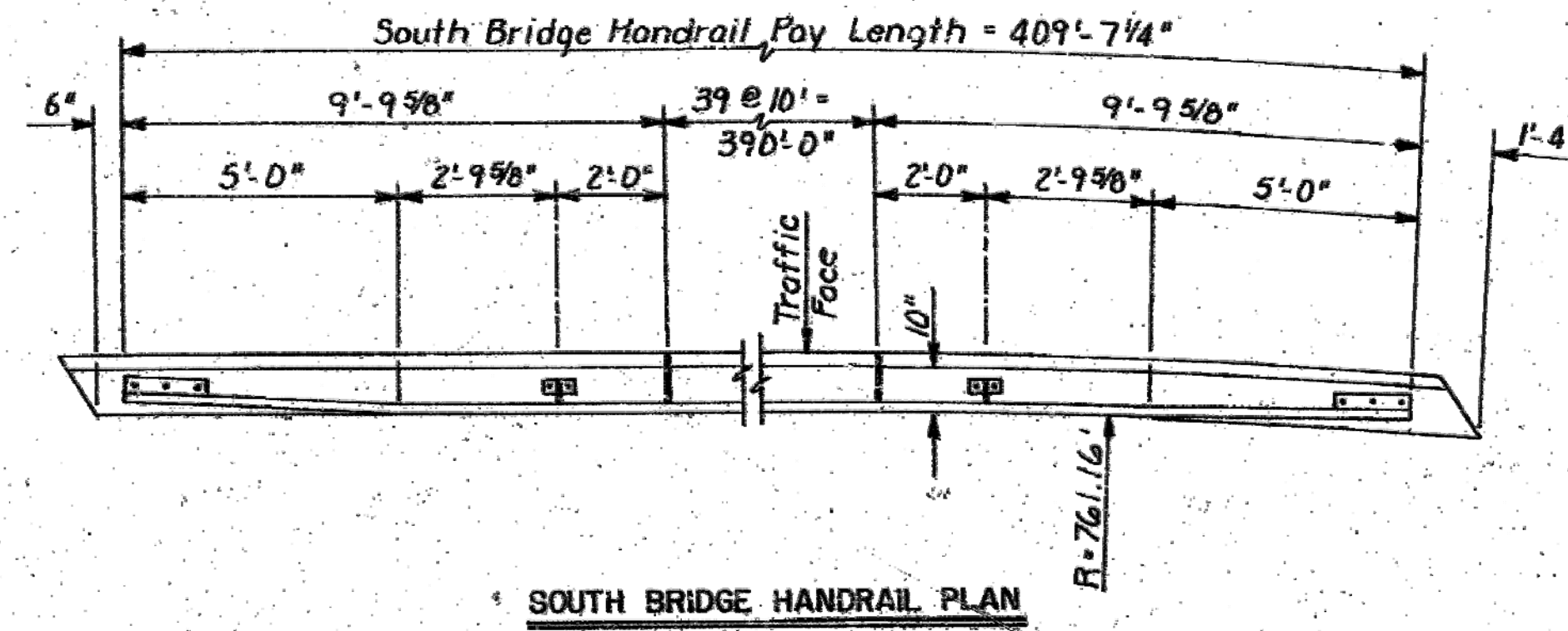
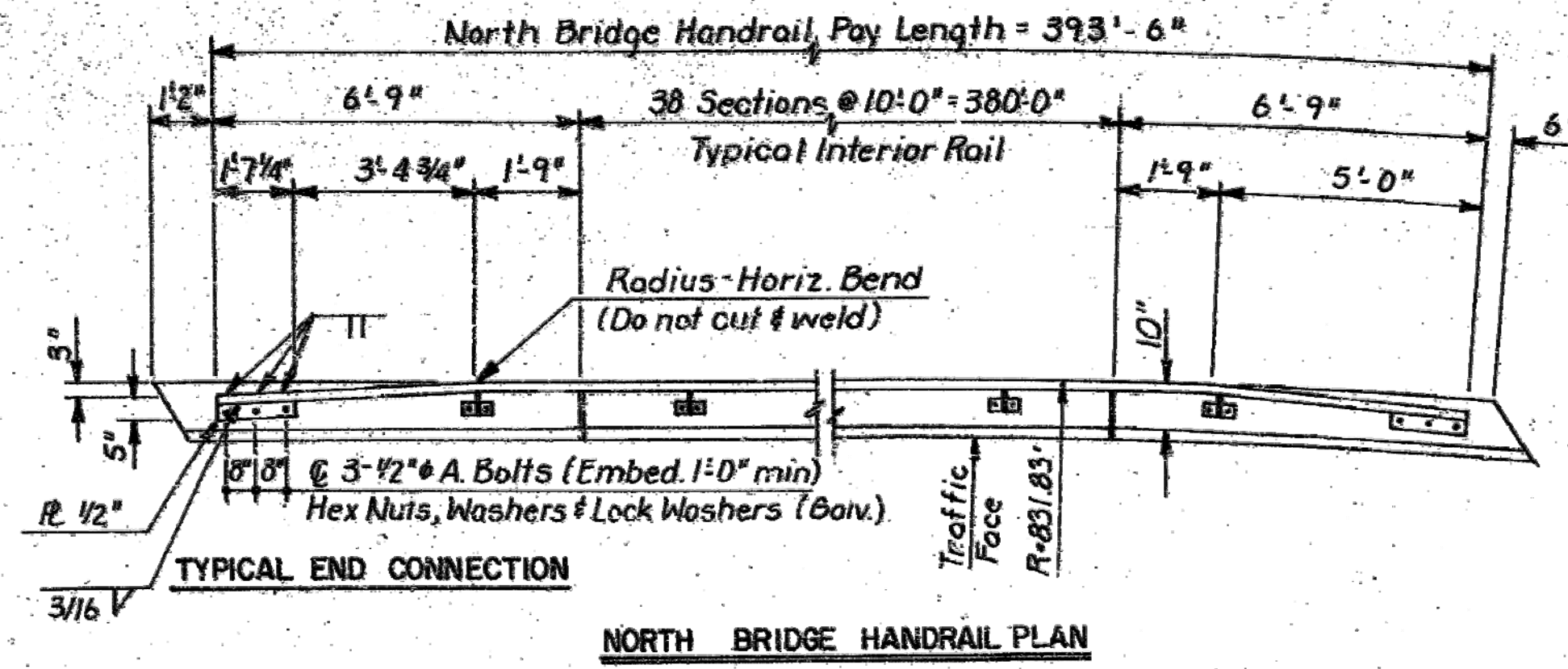


PLOTTED: Tuesday, April 19, 2016 @ 11:58AM

K:\CH\Bachung\DETAILS\10264 Traffic Rail.dwg



**BRIDGE HANDRAIL DETAIL (TYPE I)**

**BRIDGE HANDRAIL NOTES:**

The rail members shall conform to ASTM Designation A36 or equivalent.

Rail shall be fabricated in lengths to include two posts.

Posts shall be set vertical. Shims may be used between concrete and base plates of posts.

All parts of bridge handrail shall be painted black. Shop and field coats shall conform to inorganic zinc-vinyl system of the Standard Specifications for State Road and Bridge Construction, 1990 Edition, Kansas Department of Transportation.

All materials, equipment and labor necessary for the installation of the handrail on the bridge shall be subsidiary to the bid item, "Bridge Handrail (Type I)."

**HANDRAIL REHABILITATION NOTES:**

1. Remove Type I and Type II bridge handrail from bridge.
2. Repair handrail to original condition. Paint to color per C.O.W. Paint system shall conform to KDOT Std. Specification Section 714, paragraph 7.3g "Repainting Steel Bridge - Change Paint System".
3. Reassemble all handrail and install to original location.
4. Work to be paid for as "Handrail, Remove and Reset, Type 1" and "Handrail, Remove and Reset, Type 2".

©2013 MKEC Engineering All Rights Reserved www.mkec.com  
These drawings and their contents, including, but not limited to, all concepts, designs, & ideas are the exclusive property of MKEC Engineering (MKEC), and may not be used or reproduced in any way without the express consent of MKEC.

**BRIDGE HANDRAIL TYPE I**

PROJECT NO.	472-84922	
DATE	04/05/2016	
SCALE	NONE	
DESIGNED	DRAWN	CHECKED
HWL	DPG	KJS
NO.	REVISION	DATE

SHEET NO.